



目录

Contents

前言	IV
PREFACE	V
423300533 BOOM-TYPE ROADHEADER EBZ200A 悬臂式掘进机	1
423300719 CUTTING MECHANISM 切割机构 (标配/不伸缩)	3
423300821 CUTTING HEAD ASSEMBLY 切割头组件	5
423301660 CUTTING BOOM 悬臂段	7
423202843 CUTTING MECHANISM 切割机构 (选配/伸缩)	13
423300821 CUTTING HEAD ASSEMBLY 切割头组件	17
423301843 CUTTING BOOM 伸缩臂	19
423300902 BREATHER 通气阀	27
423302684 BOARD TOTAL 铲板总成 (标配/3.2m)	29
423300724 DRIVEN WHEEL DEVICE 从动轮装置	35
423300725 DRIVE DEVICE 驱动装置	37
423300726 DRIVE DEVICE 驱动装置	39
423301700 RIGHT SOFT TUBE SUPPORT 右软管支架	41
423301707 LEFT SOFT TUBE SUPPORT 左软管支架	43
423300727 SHOVEL BOARD TOTAL 铲板总成 (选配/2.8m)	45
423300728 RIGHT DRIVE DEVICE 右驱动装置	51
423300729 LEFT DRIVE DEVICE 左驱动装置	53
423301700 RIGHT SOFT TUBE SUPPORT 右软管支架	55
423300724 DRIVEN WHEEL DEVICE 从动轮装置	57
423301707 LEFT SOFT TUBE SUPPORT 左软管支架	59
423300730 FIRST CONVEYOR 第一运输机	61
423300731 TRACK 涨紧装置 (标配/丝杠涨紧)	65
423301720 TRACK 涨紧装置 (选配/油缸涨紧)	67
423300732 DRIVE DEVICE 驱动装置	69
423300208 LANYARDS VERSION 刮板链组件	71
423300804 BODY ASSEMBLY 本体总成	73
423301709 LEFT SOFT TUBE SUPPORT 左液压管架	77

423301713 RIGHT SOFT TUBE SUPPORT 右液压管架	79
423300805 TRAVEL MECHANISM 行走机构	81
423301181 WHEN TIGHT OIL CYLINDER 涨紧油缸	85
423300622 TRACK ASSEMBLY 履带链	87
423300808 BACK SUPPORTING SEAT 后支承	89
423300743 OVER TRUNKING 过线槽	93
423300809 CONSOLE 操纵台	95
423300810 HYDRAULIC SYSTEM 液压系统	97
423300811 HYDRAULIC POWER UNIT 液压泵站	99
423300812 HYDRAULIC OIL TANK 油箱总成	103
423300753 OPERATION CONSOLE ARRANGEMENT PLAN 操作台布置	105
423300751 VALVE II ASSEMBLY 阀组 II 总成	107
423300750 VALVE I ASSEMBLY 阀组 I 总成	109
423300749 TRAVELING CONNECT BLOCK ASSEMBLY 行走连接块总成	111
423300752 TIGHTENING BALL VALVE ASSEMBLY 涨紧球阀总成	113
423300747 RETURN OIL COLLECTOR 回油集流器	115
423300748 RETURN OIL BLOCK 回油块总成	117
423300756 OPERATION CONSOLE PILOT ARRANGEMENT PLAN 操作手柄布置	119
423300755 SINGLE HANDLE ASSEMBLY 单手柄总成	121
423300754 MULTIPLE SETS OF HANDLE ASSEMBLY 多联手柄总成	123
423302757 MAIN FRAME MAIN HYDRAULIC ARRANGEMENT OF THE PIPE 上车布置	125
423300758 CUTTING HEAD LIFTING CYLINDER ASSEMBLY 切割头升降油缸总成	127
423300765 CYLINDER CONNECT BLOCK ASSEMBLY 油缸连接块总成	129
423300760 SLEWING CYLINDER 回转油缸总成	131
423300761 BALANCE VALVE ASSEMBLY 平衡阀总成	133
423200760 MOTOR CONNECT BLOCK ASSEMBLY 马达连接块总成	135
423302450 STAR WHEEL MOTOR ASSEMBLY 星轮马达总成	137
423300759 RAMP PLATE LIFTING CYLINDER ASSEMBLY 铲板升降油缸总成	139
423104689 COOLER ASSEMBLY 冷却器总成	141
423200756 CYLINDER CONNECT BLOCK ASSEMBLY 油缸连接块总成	143
423300763 REAR SUPPORT CYLINDER ASSEMBLY 后支撑油缸总成	145
423204059 HYDRAULIC PIPE CLAMP 液压管夹	147
423302451 1ST CONVEYOR MOTOR ASSEMBLY 一运马达总成	149

423300813 TRAVEL MECHANISM MAIN HYDRAULIC ARRANGEMENT OF THE PIPE 下车布置	151
423103992 DOUBLE TELESCOPIC CYLINDER HYDRAULIC ARRANGEMENT OF THE PIPE 双伸缩油缸液压布管	153
423103990 CUTTING HEAD TELESCOPIC CYLINDER ASSEMBLY 切割头伸缩油缸总成	155
423103991 BALANCE VALVE ASSEMBLY 平衡阀总成	157
PUMP STATION PIPE DISTRIBUTION 泵站布管	159
FIVE-LINK VALE PIPE DISTRIBUTION 五联阀布管	163
SIX-LINK VALE PIPE DISTRIBUTION 六联阀布管	165
PILOT PIPE DISTRIBUTION 先导布管	167
423300781 DUSTING SPRAY SYSTEM 除尘喷雾系统	169
423300770 RIGHT SPRAY STRUCTURE 右横向喷水座	171
423300774 RIGHT SPRAY STRUCTURE 右纵向喷水座	173
423300775 BLOCK 连接块	175
423300773 BALL VALVE ASSEMBLY 球阀总成	177
423300776 HIGH PRESSURE FILTER ASSEMBLY 高压过滤器总成	179
423301683 PROTECTION COVER 防护罩总成	181
423300779 BLOCK ASSEMBLY 进水组	183
423300778 PRESSURE REDUCINGVALVE 减压阀总成	185
423300777 PRESSURE REDUCINGVALVE 减压阀总成	187
423300780 LEFT SPRAY STRUCTURE 左纵向喷水座	189
423300771 LEFT SPRAY STRUCTURE 左横向喷水座	191
423300793 ELECTRIC SYSTEM 电气系统	193
423301655 LUBRICATION SYSTEM 润滑系统	199
423300816 LUBRICATION OF SLEWING BEARING 回转轴承润滑	201
423300796 LUBRICATION OF SHOVEL PIN 铲板销轴润滑	205
423300817 GUARD PLATE ASSEMBLY 护板总成	207
423300820 TELESCOPIC ARM BOARD 切割臂护板	209
423300819 HYDRAULIC POWER BOARD 泵站护板	211



前 言

衷心感谢您对徐工品牌的信赖和认可并使用徐工生产的 EBZ200A 悬臂式掘进机。

本图册提供了EBZ200A悬臂式掘进机列为备件的结构及装配关系，旨在方便备件工程师和用户对设备更好的维修和保养。本图册应配合产品使用说明书共同使用，请您严格按照零部件图册进行操作、维护，使悬臂式掘进机处于最佳工作状态。

为方便用户备件检索，本图册已将EBZ200A悬臂式掘进机的大型结构件及整体采购件拆分至最小可维修单元，在分解图后附有明细表与所示零件一一对应。

本零部件图册及其它随车技术文件是EBZ200A悬臂式掘进机的组成部分，请在产品寿命期内随车妥善保存，共同作为您使用该悬臂式掘进机的必须依据。

我公司保留随技术改进而不断修订《EBZ200A 悬臂式掘进机零部件图册》内容的权利，如有变更，恕不另行通知，望各位用户予以理解。



PREFACE

Firstly, thank you for selecting EBZ200A BOOM-TYPE ROADHEADER designed and manufactured by XCMG CONSTRUCTION MACHINERY CO.,LTD..

The aim of supplying the catalogue is to facilitate maintenance and service to the EBZ200A BOOM-TYPE ROADHEADER. It should be used together with the operation manual and maintenance manual. Please strictly follow the instructions in operation manual and maintenance manual for operation and maintenance.

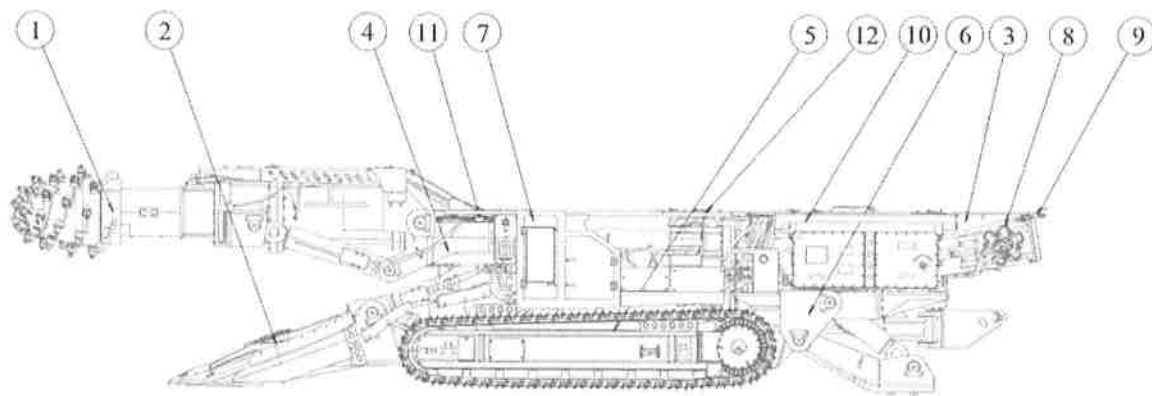
There are details for assembly of parts in it, which large structural parts and integrated parts are disassembled into minor maintenance units. There is a list following each detail for user looking up parts.

Please refer to carrier parts catalogue for contents involved with carrier parts.

The manual is an integral part of the EBZ200A BOOM-TYPE ROADHEADER. Please keep them handy in the driver's or operator's cab with the supplied technical documents and operate the machine according to instruction in them.

We reserve the right to modify the catalogue for improvement without notice .

423300533 BOOM-TYPE ROADHEADER 悬臂式掘进机



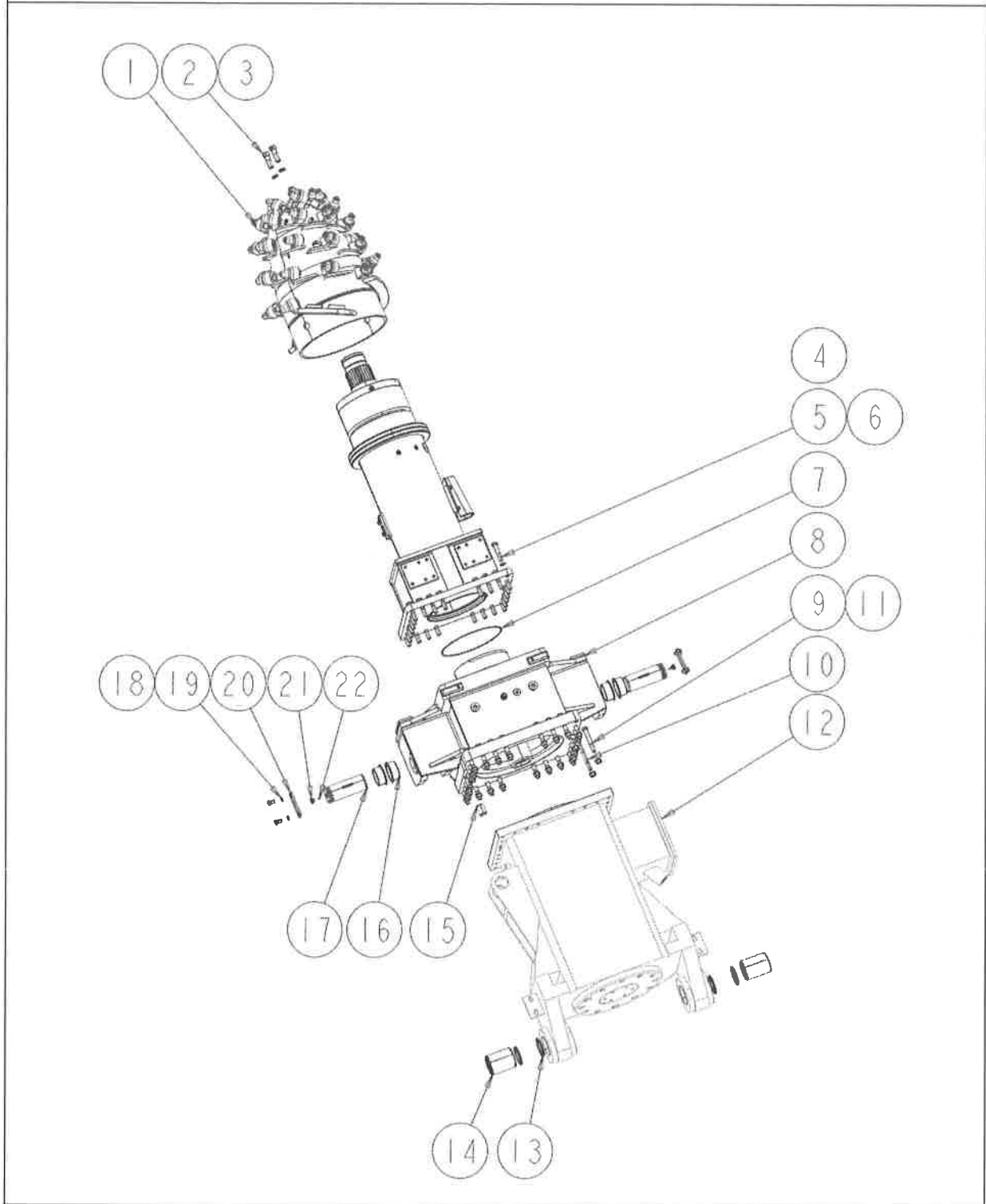


423300533 BOOM-TYPE ROADHEADER 悬臂式掘进机

序号 No.	零部件代号 Part No.	名称 Part name	数量 Q'ty	备注 Remark
1	423300719	切割机构	CUTTING MECHANISM	1 标配/不伸缩
	423202843	切割机构	CUTTING MECHANISM	1 选配/伸缩
2	423300721	铲板总成 (3.2m)	SHOVEL BOARD TOTAL	1 标配/3.2m
	423300727	铲板总成 (2.8m)	SHOVEL BOARD TOTAL	1 选配/2.8m
3	423300730	第一运输机	FIRST CONVEYOR	1
4	423300804	本体总成	BODY ASSEMBLY	1
5	423300805	行走机构	TRAVEL MECHANISM	1
6	423300808	后支承	BACK SUPPORTING SEAT	1
7	423300809	操纵台	CONSOLE	1
8	423300810	液压系统	HYDRAULIC SYSTEM	1
9	423300781	除尘喷雾系统	DUSTING SPRAY SYSTEM	1
10	423300793	电气系统	ELECTRIC SYSTEM	1
11	423301655	润滑系统	LUBRICATION SYSTEM	1
12	423300817	护板总成	GUARD PLATE ASSEMBLY	1

423300533 BOOM-TYPE ROADHEADER 悬臂式掘进机

423300719 CUTTING MECHANISM 切割机构 (标配/不伸缩)





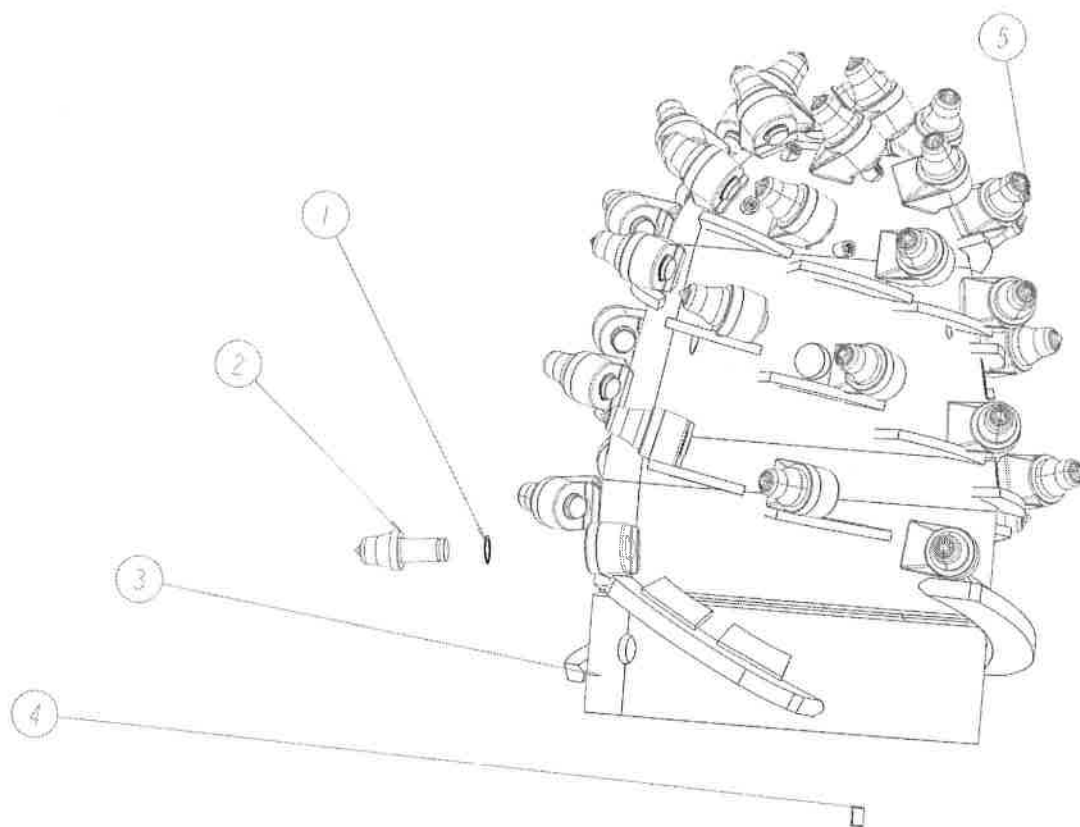
423300533 BOOM-TYPE ROADHEADER 悬臂式掘进机

423300719 CUTTING MECHANISM 切割机构 (标配/不伸缩)

序号 No.	零部件代号 Part No.	名称 Part name	数量 Q'ty	备注 Remark
1	423300821	切割头组件 CUTTING HEAD ASSEMBLY	1	
2	423300131	螺栓 BOLT	2	
3	805338586	锁紧垫圈 30 LOCK WASHER 30	2	
4	423301660	悬臂段 CUTTING BOOM	1	
5	805006426	螺栓 M24×120 10.9(达克罗) BOLT M24×120 10.9	26	GB/T5782-2000
6	805338291	垫圈 24(达克罗) WASHER 24	26	GB/T97.1-2002
7	801969652	圆橡胶 6×1379 ROUND RUBBER 6×1379	1	JB/ZQ4609-2006
8	423300127	切割减速机 CUTTING REDUCER	1	
9	805047560	螺栓 M24×170 10.9(达克罗) BOLT M24×170 10.9	26	GB/T5782-2000
10	423300129	双头螺柱 SCREW	2	
11	805238699	凸缘螺母 NUT	30	
12	803544759	切割电机 CUTTING MOTOR	1	
13	803377785	防尘圈 DUSTPROOF WASHER	4	
14	423300128	衬套 BUSH	2	
15	423300130	销子 PIN SHAFT	1	
16	423300135	衬套 BUSH	4	
17	423300134	销轴 SHAFT	2	
18	805005576	螺栓 M20×35 BOLT M20×35	4	GB/T5783-2000
19	805300023	垫圈 20 WASHER 20	4	GB/T93-1987
20	423300132	挡板 RETAINER	2	
21	423300285	螺堵 SCREW PLUG	2	
22	801100336	油杯 M10×1 GREASE CUP	2	JB/T7940.1-1995

423300719 CUTTING MECHANISM 切割机构 (标配/不伸缩)

423300821 CUTTING HEAD ASSEMBLY 切割头组件





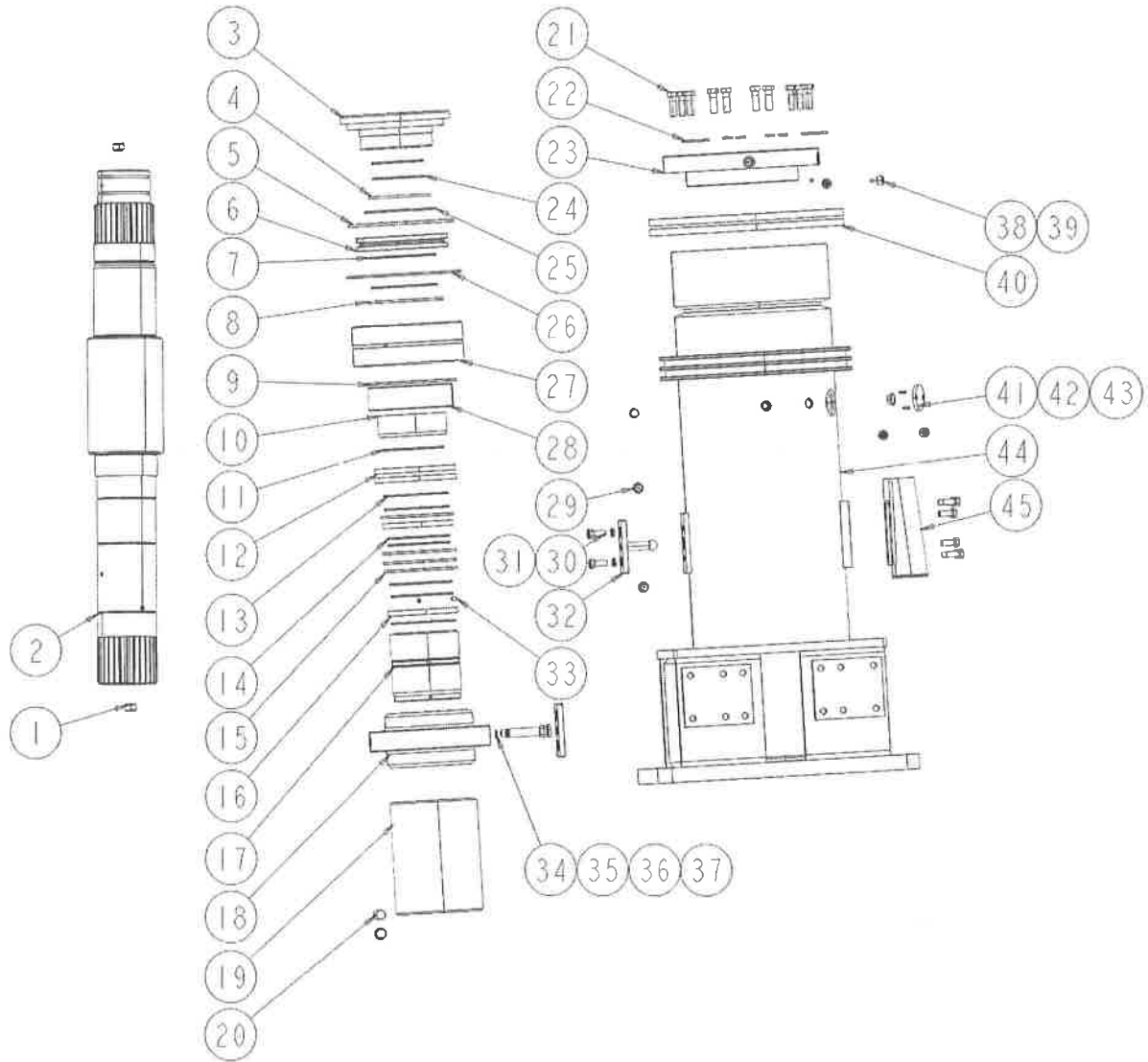
423300719 CUTTING MECHANISM 切割机构 (标配/不伸缩)

423300821 CUTTING HEAD ASSEMBLY 切割头组件

序号 No.	零部件代号 Part No.	名称 Part name	数量 Q'ty	备注 Remark
1	805400026 挡圈 38	HOLD WASHER 38	39	GB/T894.1-1986
2	819949791 截齿	CUTTER TOOTH	39	
3	423300124 切割头	CUTTING HEAD	1	
4	423300832 销轴	SHAFT	2	
5	800787632 喷嘴	NOZZLE	12	

423300719 CUTTING MECHANISM 切割机构 (标配/不伸缩)

423301660 CUTTING BOOM 悬臂段





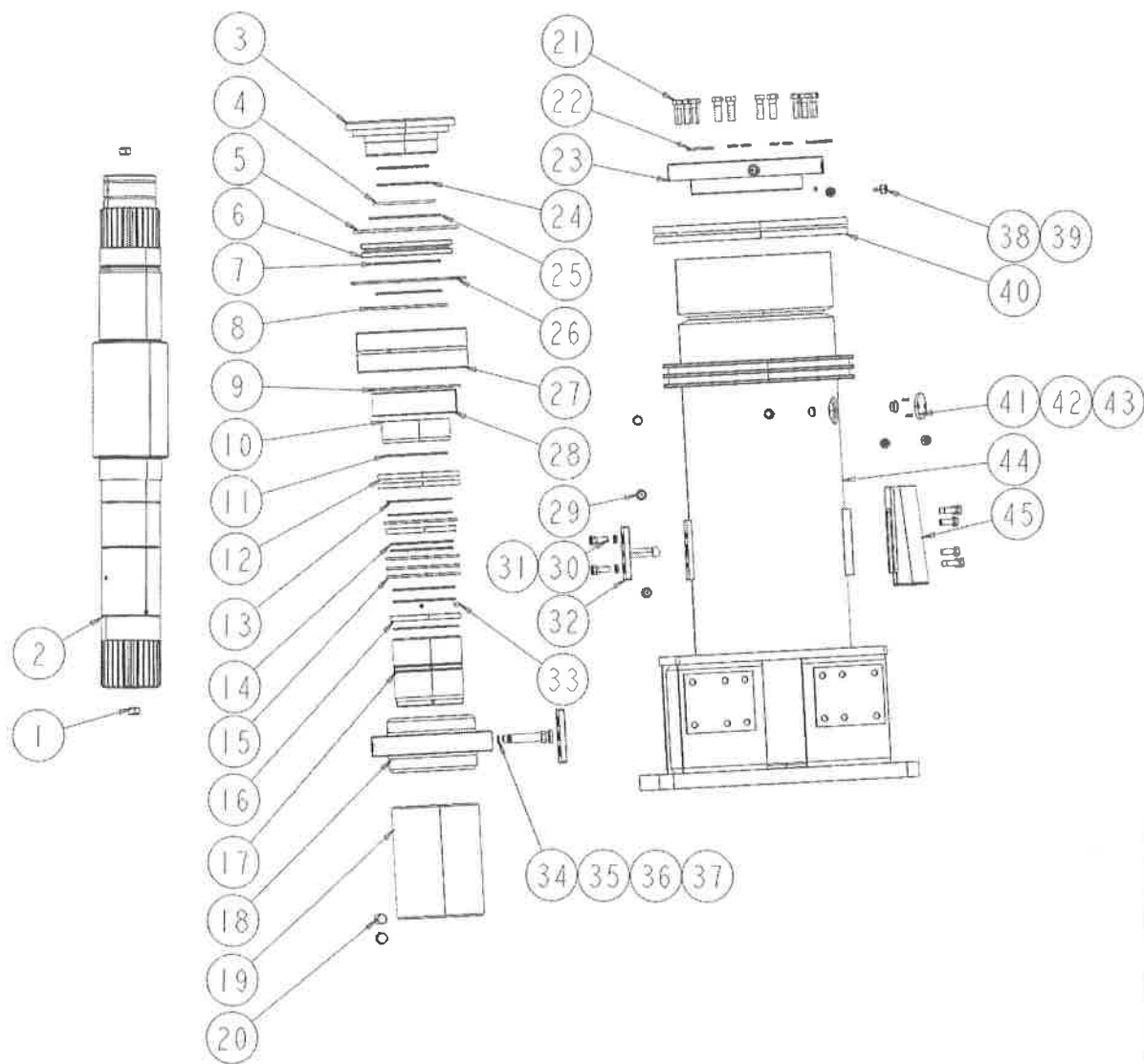
423300719 CUTTING MECHANISM 切割机构 (标配/不伸缩)

423301660 CUTTING BOOM 悬臂段

序号 No.	零部件代号 Part No.	名称 Part name	数量 Q'ty	备注 Remark
1	805805677	螺塞 R1	SCREW PLUG R1	3 JB/ZQ4446-2006
2	423300853	截割头轴	CUTTING HEAD SHAFT	1
3	423300860	浮动密封座	FLOATING SEAL BASE	1
4	423300861	钢丝挡圈	RETAINER RING WIRE	1
5	423300859	垫圈	WASHER	1
6	803377708	浮动油封	FLOATING SEAL	1
7	803184568	O 形圈	O-RING	2 GB/T3452.1-2005
8	803377764	特康旋转格来圈	TURCON ROTATING GLYD RING	1
9	423300862	挡圈	HOLD WASHER	1
10	423300863	轴套	SLEEVE	1
11	803377350	O 形圈	O-RING	1 GB/T3452.1-2005
12	803377694	油封	OIL SEAL	2
13	805403353	挡圈 180	HOLD WASHER 180	3 GB/T894.2-1986
14	803405034	O 形圈 182.5 × 5.3	O-RING 182.5×5.3	4 GB/T3452.1-2005
15	803377765	特康旋转格来圈	TURCON ROTATING GLYD RING	4
16	822137768	耐磨环	ANTI-FRICTION RING	2
17	423300126	密封套	SEALING COVER	1
18	423300864	进水套	INFLOW COVER	1
19	423300865	花键套	SET	1
20	423300866	花键套销	SPLINED HUB PIN	1
21	805047544	螺栓 M20 × 60 10.9(达克罗)	BOLT M20×60 10.9	10 GB/T5782-2000
22	805338321	垫圈 20(达克罗)	WASHER 20	10 GB/T93-1987

423300719 CUTTING MECHANISM 切割机构 (标配/不伸缩)

423301660 CUTTING BOOM 悬臂段





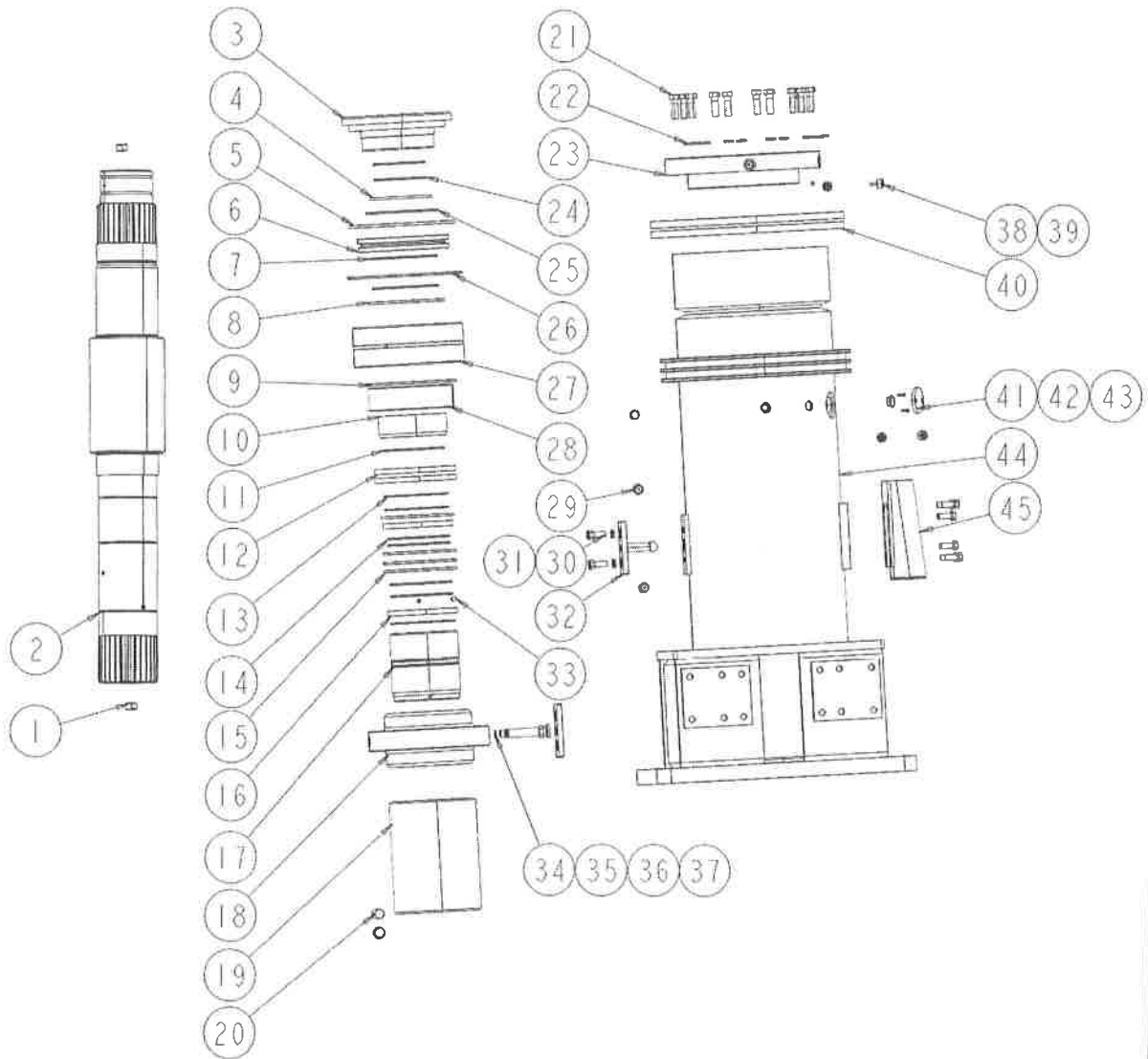
423300719 CUTTING MECHANISM 切割机构 (标配/不伸缩)

423301660 CUTTING BOOM 悬臂段

序号 No.	零部件代号 Part No.	名称 Part name	数量 Q'ty	备注 Remark
23	423301661	浮动密封架	FLOATING SEAL FRAME	1
24	803195866	O 形圈	O-RING	2 GB/T3452.1-2005
25	805805683	圆橡胶 6×706	ROUND RUBBER 6×706	1 JB/ZQ4609-2006
26	805805684	圆橡胶 8×1066	ROUND RUBBER 8×1066	1 JB/ZQ4609-2006
27	800549584	调心滚子轴承	BEARING	1
28	800553730	圆柱滚子轴承	BEARING	1
29	423300857	漏水塞	WATER STOPPER	2
30	805000051	螺栓 M16×40	BOLT M16×40	12 GB/T5783-2000
31	805300011	垫圈 16	WASHER 16	4 GB/T93-1987
32	423300837	止动销	LOCK PIN	1
33	805104471	螺钉 M10×16	SCREW M10×16	2 GB/T78-2007
34	803192092	O 形圈 20×2.65	O-RING 20×2.65	1 GB/T3452.1-2005
35	423300855	接头	CONNECTOR	1
36	423300854	毡圈	FELT COLLAR	1
37	423300856	活动板	SUSPENSION	1
38	803377339	螺塞 R3/4	SCREW PLUG R3/4	5 JB/ZQ4446-2006
39	801100336	油杯 M10×1	GREASE CUP	2 JB/T7940.1-1995
40	801140282	碳纤维盘根 20× 20×20×1884	CARBON FIBER PACKING 20×20×20×1884	2
41	423302517	油窗盖板	OIL WINDOW COVER BOARD	1
42	801103120	油标 A20	OIL POINTER A20	1 JB/T7941.2-1995
43	805103612	螺钉 M5×20	BOLT M5×20	2 GB/T68-2000
44	423302519	外筒	OUTER CYLINDER	1

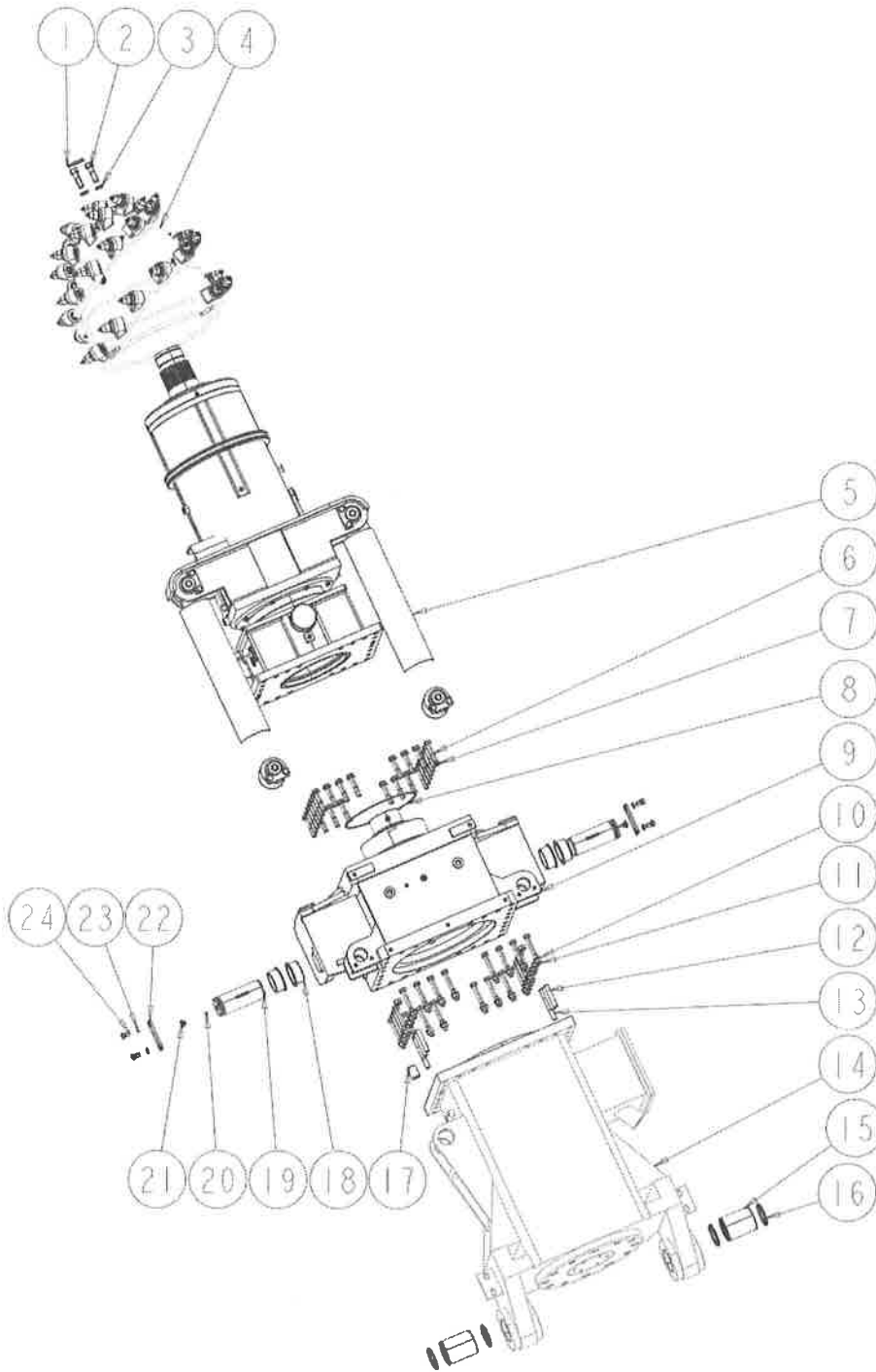
423300719 CUTTING MECHANISM 切割机构 (标配/不伸缩)

423301660 CUTTING BOOM 悬臂段



423300533 BOOM-TYPE ROADHEADER 悬臂式掘进机

423202843 CUTTING MECHANISM 切割机构 (选配/伸缩)





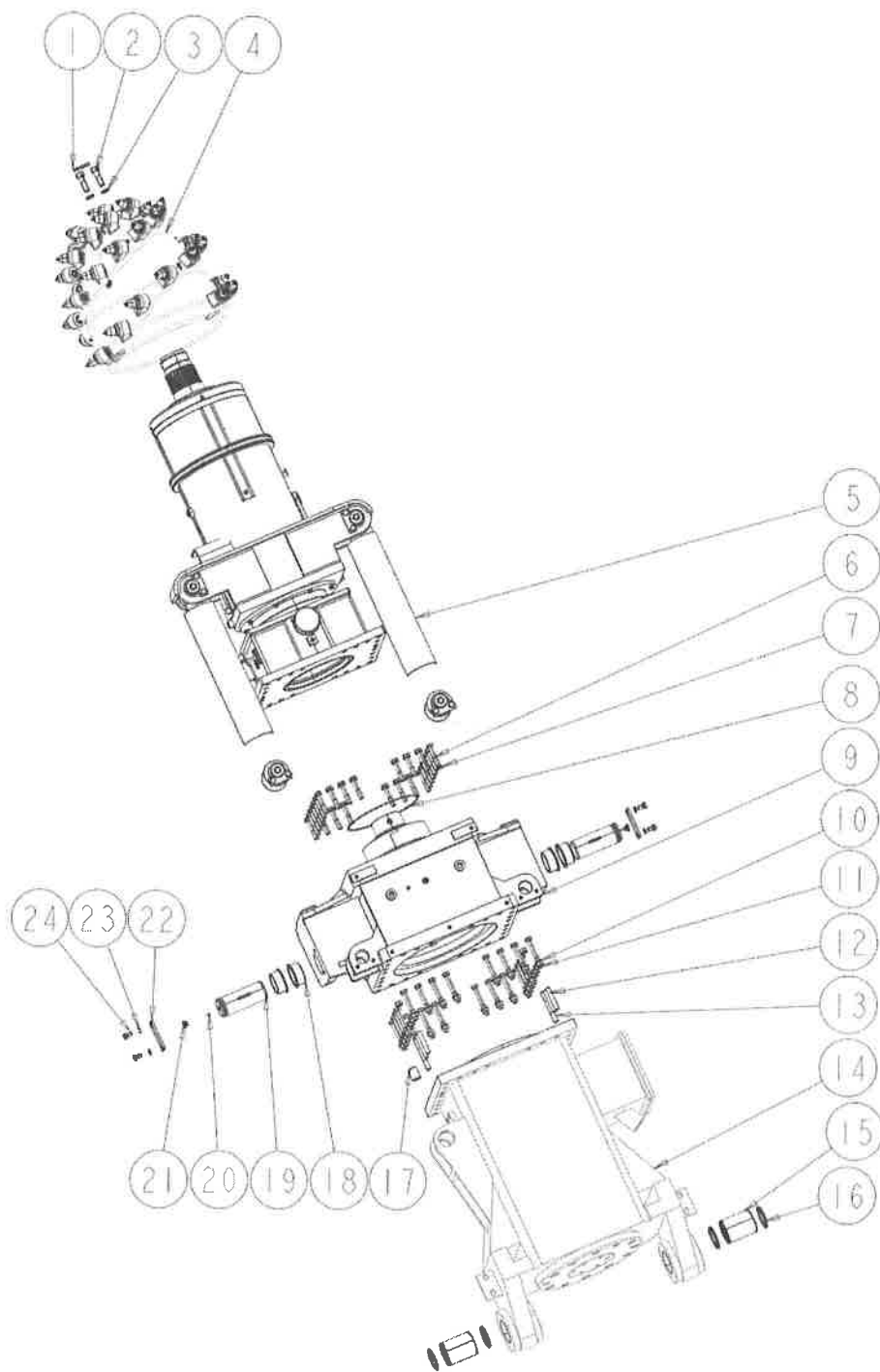
423300533 BOOM-TYPE ROADHEADER 悬臂式掘进机

423202843 CUTTING MECHANISM 切割机构 (选配/伸缩)

序号 No.	零部件代号 Part No.	名称 Part name	数量 Q'ty	备注 Remark
1	839968849	低碳钢丝 LOW CARBON STEEL WIRE	2	
2	423300131	螺栓 BOLT	2	
3	805338586	锁紧垫圈 30 LOCK WASHER 30	2	
4	423101421	切割头组件 CUTTING HEAD ASSEMBLY	1	
5	423301843	伸缩臂 EXTENSION BOOM	1	
6	805006426	螺栓 M24 × 120 10.9(达克罗) BOLT M24×120 10.9	26	GB/T5782-2000
7	805338291	垫圈 24(达克罗) WASHER 24	26	GB/T97.1-2002
8	801969652	圆橡胶 6 × 1379 ROUND RUBBER 6×1379	1	JB/ZQ4609-2006
9	423202866	切割减速机 CUTTING REDUCER	1	
10	805238699	凸缘螺母 NUT	30	
11	805047560	螺栓 M24 × 170 10.9(达克罗) BOLT M24×170 10.9	22	GB/T5782-2000
12	423301699	双头螺柱 SCREW	4	
13	423300129	双头螺柱 SCREW	2	
14	803544759	切割电机 CUTTING MOTOR	1	
15	423300128	衬套 BUSH	2	
16	803377785	防尘圈 DUSTPROOF WASHER	4	
17	423300130	销子 PIN SHAFT	1	
18	423300135	衬套 BUSH	4	
19	423300134	销轴 SHAFT	2	
20	801100336	油杯 M10 × 1 GREASE CUP	2	JB/T7940.1-1995
21	423300285	螺堵 SCREW PLUG	2	
22	423300132	挡板 RETAINER	2	

423300533 BOOM-TYPE ROADHEADER 悬臂式掘进机

423202843 CUTTING MECHANISM 切割机构 (选配/伸缩)





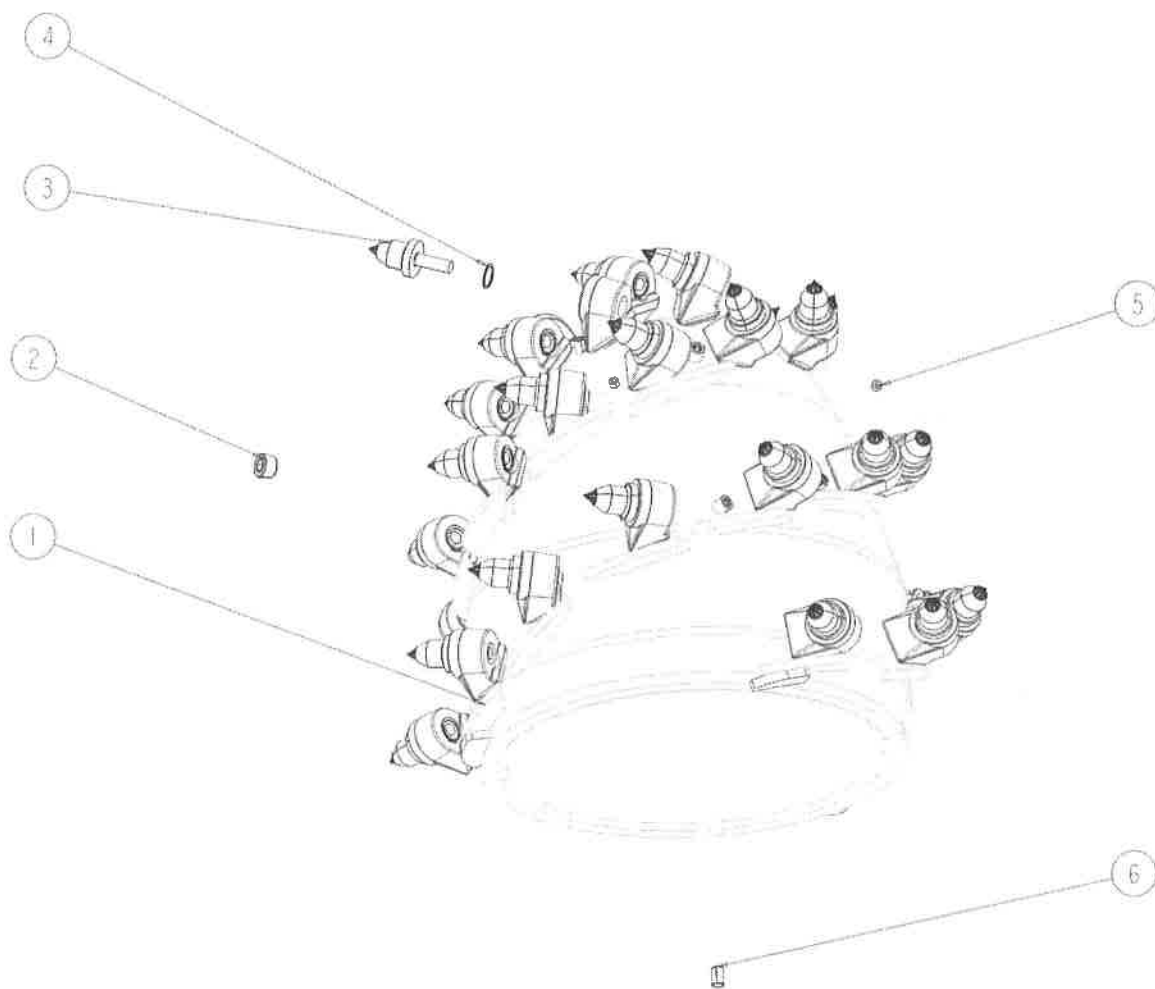
423300533 BOOM-TYPE ROADHEADER 悬臂式掘进机

423202843 CUTTING MECHANISM 切割机构 (选配/伸缩)

序号 No.	零部件代号 Part No.	名称 Part name	数量 Q'ty	备注 Remark
23	805300023	垫圈 20 WASHER 20	4	GB/T93-1987
24	805005576	螺栓 M20×35 BOLT M20×35	4	GB/T5783-2000

423300719 CUTTING MECHANISM 切割机构 (选配/伸缩)

423300821 CUTTING HEAD ASSEMBLY 切割头组件





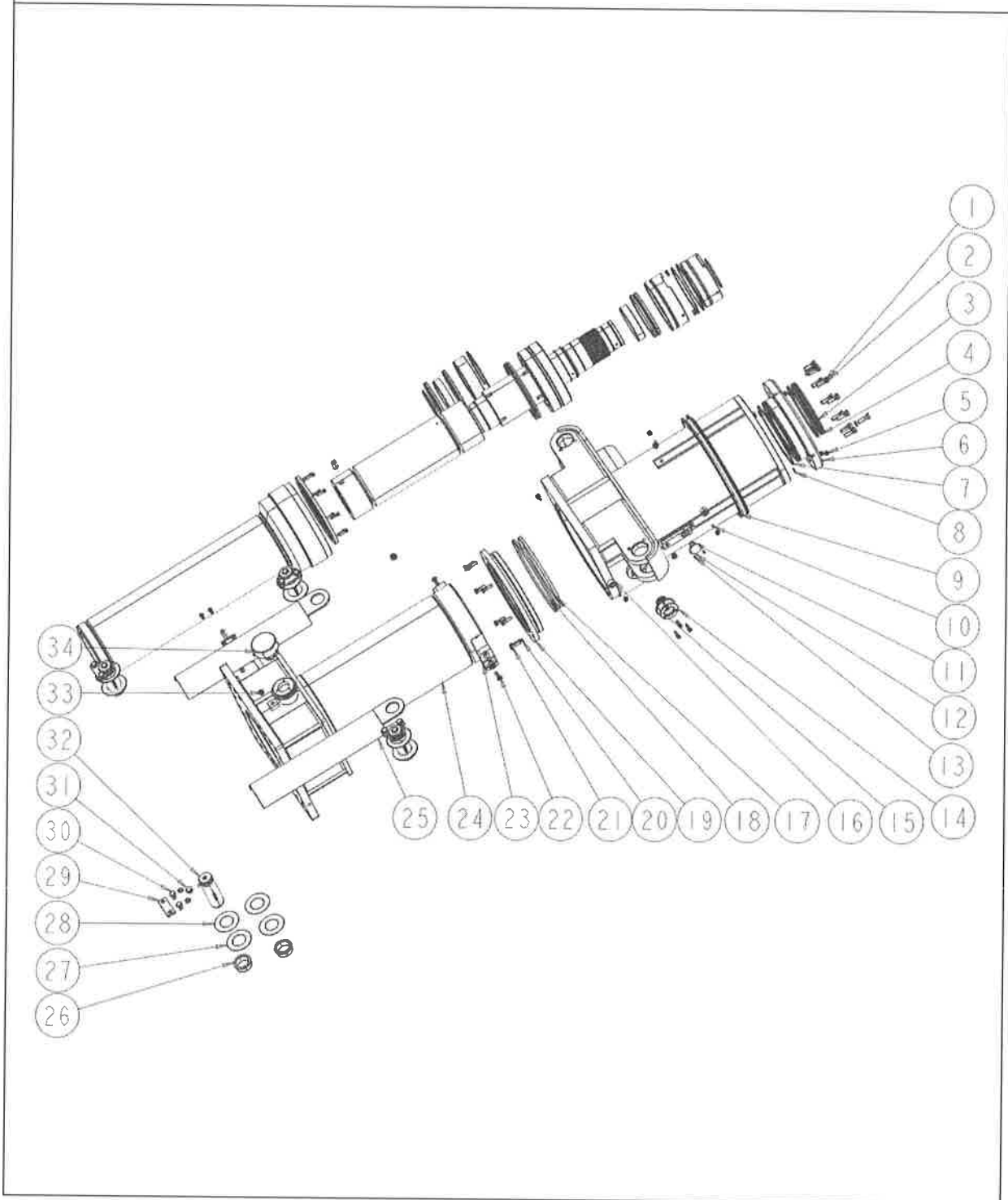
423202843 CUTTING MECHANISM 切割机构 (选配/伸缩)

423101421 CUTTING HEAD ASSEMBLY 切割头组件

序号 No.	零部件代号 Part No.	名称 Part name	数量 Q'ty	备注 Remark
1	423100130	截割头 CUTTING HEAD	1	
2	423101425	螺塞 SCREW PLUG	2	
3	802500438	截齿 CUTTER TOOTH	41	
4	805400026	挡圈 38 HOLD WASHER 38	41	GB/T894.1-1986
5	800787632	喷嘴 NOZZLE	12	
6	423300832	销轴 SHAFT	2	

423202843 CUTTING MECHANISM 切割机构 (选配/伸缩)

423301843 CUTTING BOOM 悬臂段

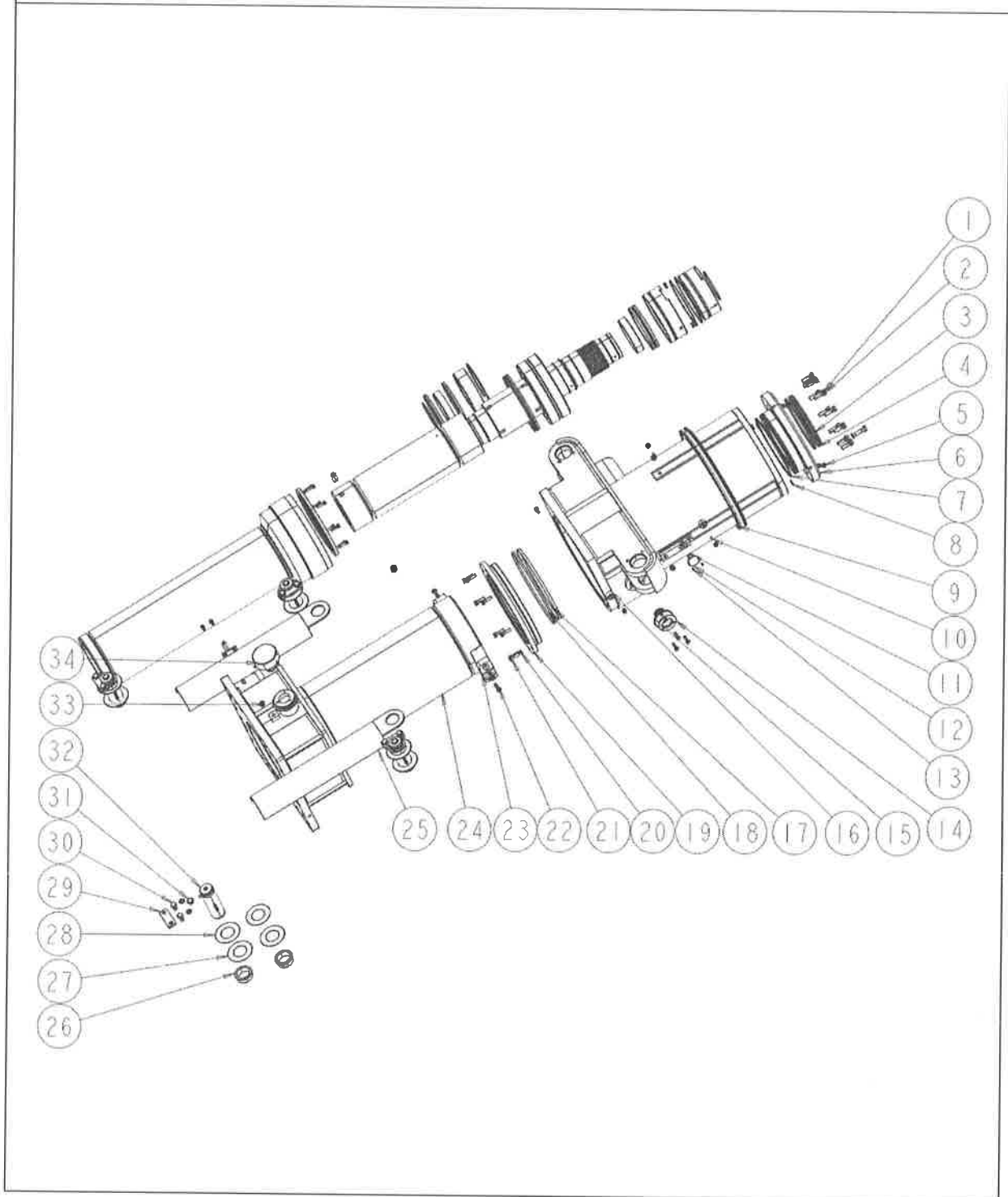



423202843 CUTTING MECHANISM 切割机构 (选配/伸缩)
423301843 CUTTING BOOM 悬臂段

序号 No.	零部件代号 Part No.	名称 Part name	数量 Q'ty	备注 Remark
1	805338321	垫圈 20(达克罗) WASHER 20	20	GB/T93-1987
2	805047544	螺栓 M20×60 10.9(达克罗) BOLT M20×60 10.9	12	GB/T5782-2000
3	801139955	浸油石棉盘根 OILED ASBESTOS PACKING	1	
4	803400671	特康旋转格来圈 TURCON ROTATING GLYD RING	2	
5	803377338	螺塞 R1/2 SCREW PLUG R1/2	10	
6	423301762	端盖 COVER	1	
7	803400673	O形圈 O-RING	1	GB/T3452.1-2005
8	803192077	O形圈 25×3.55 O-RING 25×3.55	3	GB/T3452.1-2005
9	801139954	浸油石棉填料 8 ×8×2395 OILED ASBESTOS PACKING8×8×2395	2	
10	801100336	油杯 M10×1 GREASE CUP	8	JB/T7940.1-1995
11	801103120	油标 A20 OIL POINTER A20	2	JB/T7941.2-1995
12	423100904	油窗护板 OIL WINDOW BACKPLATE	1	
13	805000390	螺栓 M5×12 BOLT M5×12	2	GB/T5783-2000
14	423101418	垫圈 WASHER	1	
15	423202859	空气过滤器 AIR FILTER	1	
16	423301844	伸缩保护筒 COLLAPSIBLE PROTECT CYLINDER	1	
17	803390335	耐磨环 ANTI-FRICTION RING	1	
18	803390336	防尘圈 DUSTPROOF WASHER	1	
19	423302416	保护筒座 SAFETY CYLINDER BASE	1	
20	805338263	垫圈 16(达克罗) WASHER 16	8	GB/T93-1987
21	805000410	螺栓 M16×55 BOLT M16×55	8	GB/T5782-2000
22	805140570	螺钉 M16×50 10.9(达克罗) SCREW M16×50 10.9	4	GB/T2673-2007

423202843 CUTTING MECHANISM 切割机构 (选配/伸缩)

423301843 CUTTING BOOM 悬臂段





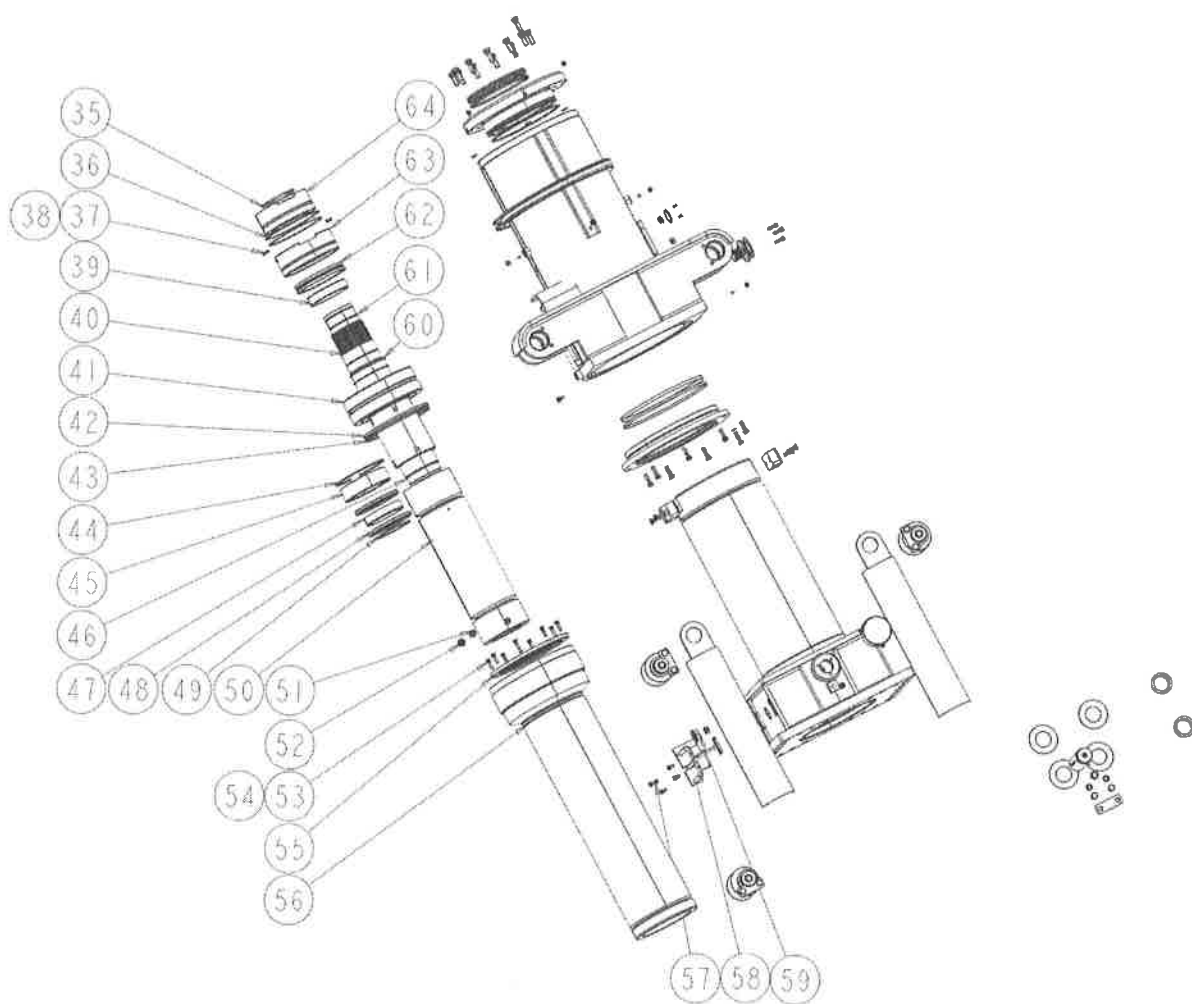
423202843 CUTTING MECHANISM 切割机构 (选配/伸缩)

423301843 EXTENSION BOOM 伸缩臂

序号 No.	零部件代号 Part No.	名称 Part name	数量 Q'ty	备注 Remark
23	423301759	导向块 GUIDE MAT	2	
24	423300884	伸缩外筒 COLLAPSIBLE CYLINDER	1	
25	423202862	伸缩油缸盖板 COVER BOARD OF COLLAPSIBLE HYDRO-CYLINDER	2	
26	423101413	衬套 BUSH	8	
27	423101415	调整垫 ADJUST MAT	8	
28	423101414	调整垫 ADJUST MAT	8	
29	423101411	挡板 RETAINER	4	
30	805047659	螺栓 M20 × 30 10.9(达克罗) BOLT M20×30 10.9	8	GB/T5783-2000
31	423300285	螺堵 SCREW PLUG	4	
32	423101412	销轴 SHAFT	4	
33	803377339	螺塞 R3/4 SCREW R3/4	4	PLUG JB/ZQ4446-2006
34	423300902	通气阀 BREATHER	1	

423202843 CUTTING MECHANISM 切割机构 (选配/伸缩)

423301843 CUTTING BOOM 悬臂段





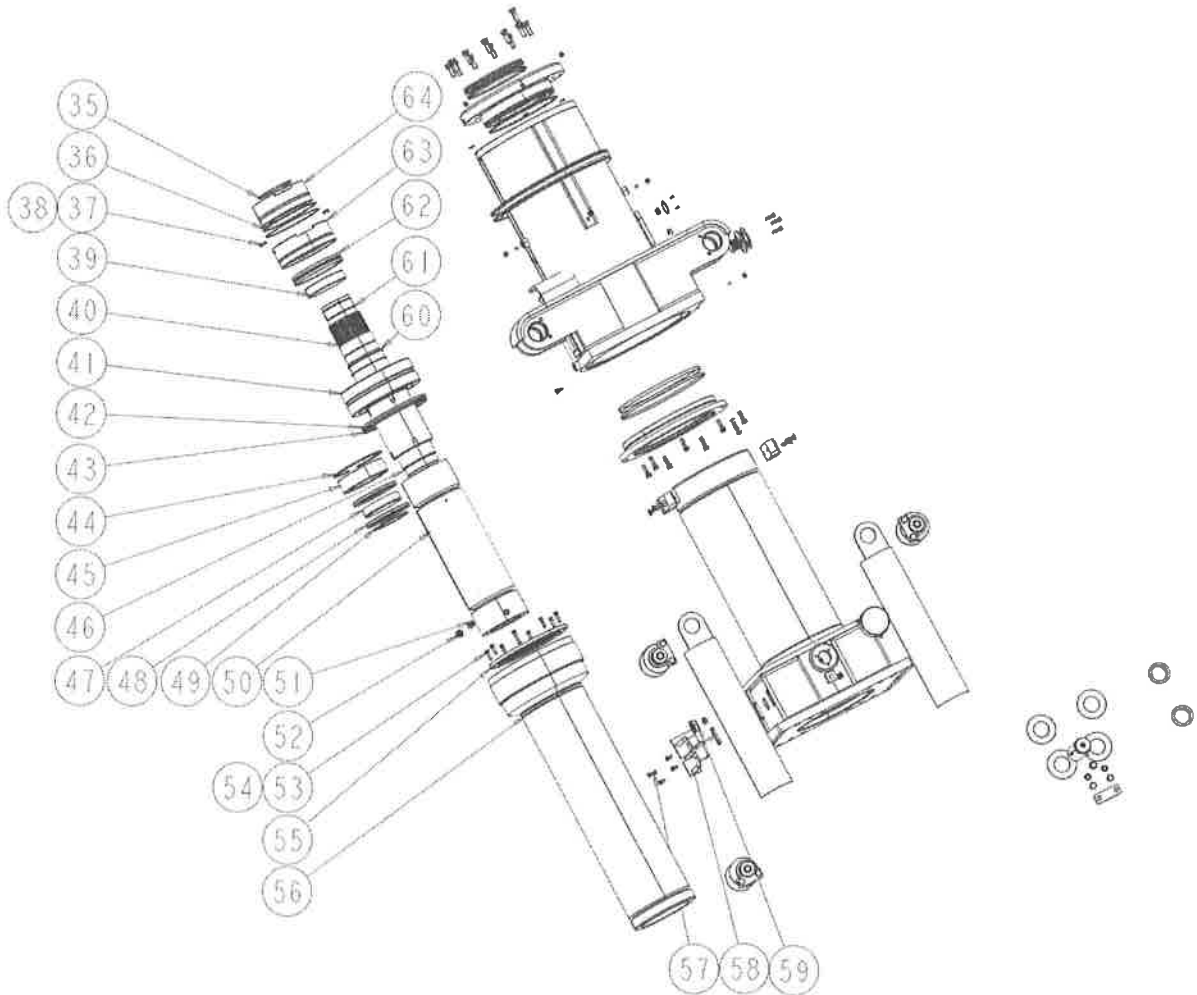
423202843 CUTTING MECHANISM 切割机构 (选配/伸缩)

423301843 CUTTING BOOM 悬臂段

序号 No.	零部件代号 Part No.	名称 Part name	数量 Q'ty	备注 Remark
35	423300861	钢丝挡圈	1	
36	803199914	O形圈	2	GB/T3452.1-2005
37	805639564	销 12×26	2	GB/T120.1-2000
38	805401236	挡圈 13	2	GB/T893.1-1986
39	423301763	隔套	1	
40	423301731	切割主轴	1	
41	800554553	轴承	1	
42	801139000	油封	2	
43	801139012	浸油石棉盘根	1	
44	423300862	挡圈	1	
45	800553730	圆柱滚子轴承	1	
46	803377350	O形圈	1	GB/T3452.1-2005
47	423101417	轴套	1	
48	801139006	油封	2	
49	805403353	挡圈 180	1	GB/T894.2-1986
50	423300887	花键套	1	
51	423300866	花键套销	1	
52	805805677	螺塞 R1	2	JB/ZQ4446-2006
53	805338261	垫圈 12(达克罗)	15	GB/T93-1987
54	805006414	螺栓 M12×45 10.9(达克罗)	11	GB/T5783-2000
55	423101409	端盖	1	
56	423301732	伸缩内筒	1	

423202843 CUTTING MECHANISM 切割机构 (选配/伸缩)

423301843 CUTTING BOOM 悬臂段





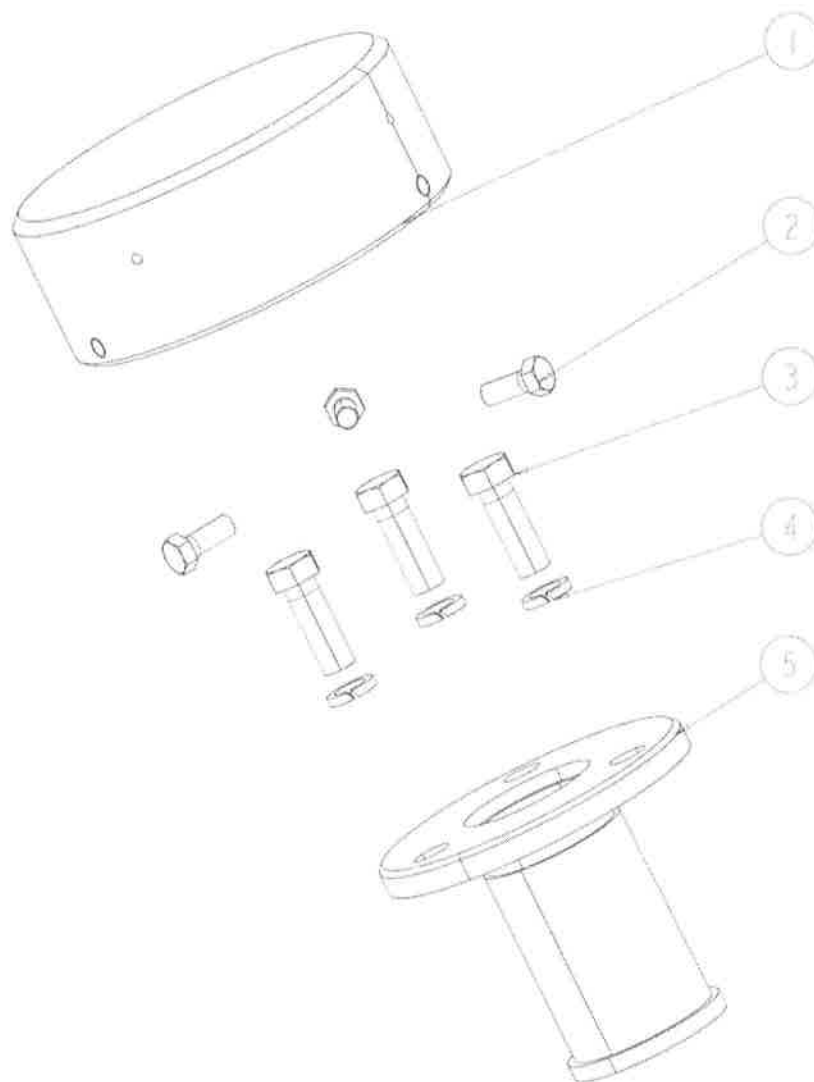
423202843 CUTTING MECHANISM 切割机构 (选配/伸缩)

423301843 CUTTING BOOM 悬臂段

序号 No.	零部件代号 Part No.	名称 Part name	数量 Q'ty	备注 Remark
57	805000715	螺栓 M12×25	BOLT M12×25	4 GB/T5783-2000
58	423101331	喷雾软管支架	ATOMIZING FLEXIBLE PIPE HOLDER	1
59	423404467	螺塞	SCREW PLUG	1
60	803184568	O形圈	O-RING	2 GB/T3452.1-2005
61	803195866	O形圈	O-RING	2 GB/T3452.1-2005
62	803377708	浮动油封	FLOATING SEAL	1
63	423301761	耐磨隔套	ANTI-FRICTION SPACER BUSH	1
64	423301760	浮动密封座	FLOATING SEAL BASE	1

423301843 EXTENSION BOOM 伸缩臂

423300902 BREATHER 通气阀





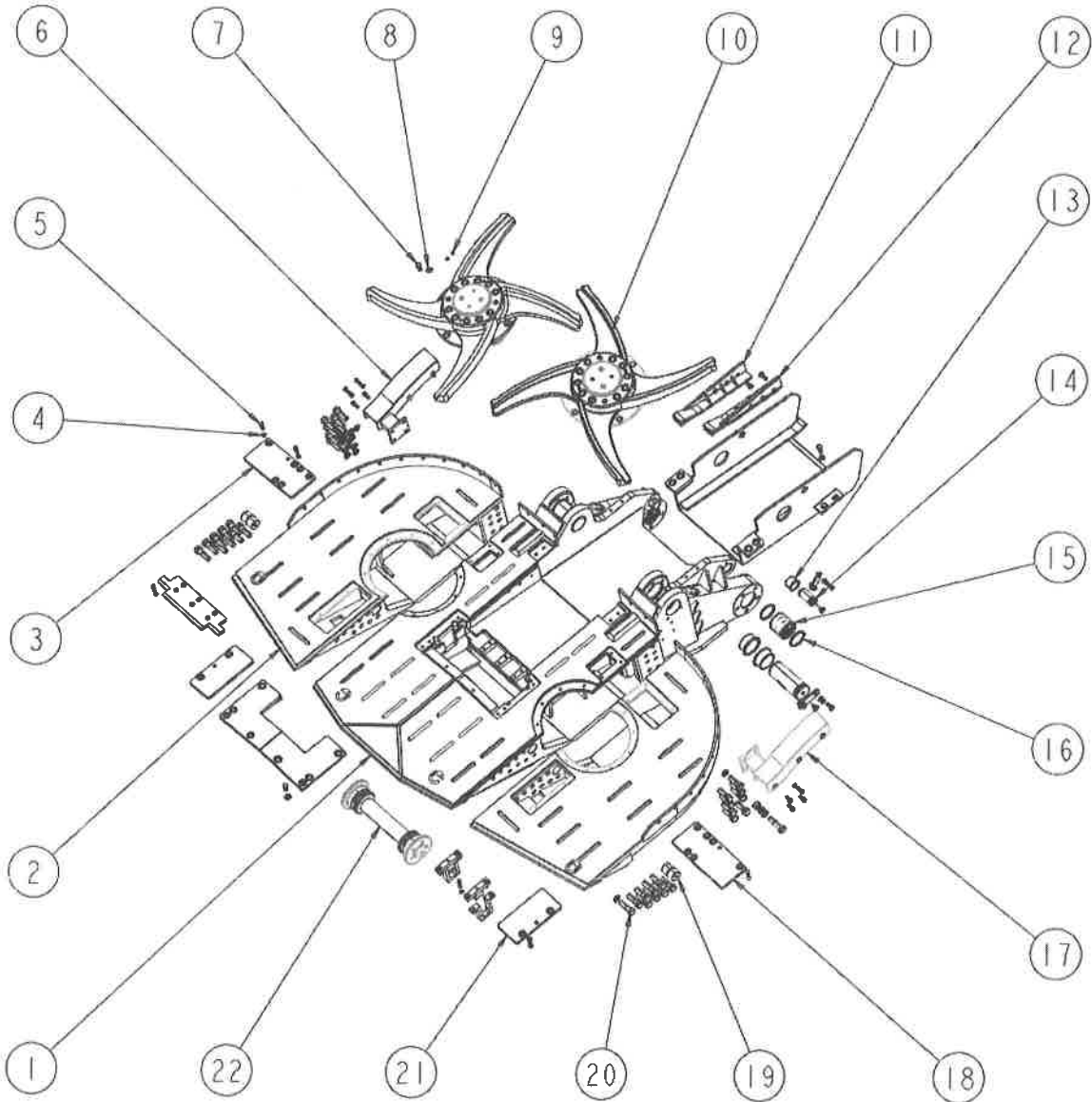
423301843 EXTENSION BOOM 伸缩臂

423300902 BREATHER 通气阀

序号 No.	零部件代号 Part No.	名称 Part name	数量 Q'ty	备注 Remark
1	423300903	盖 COVER	1	
2	805000018	螺栓 M8×20 BOLT M8×20	3	GB/T5783-2000
3	805006413	螺栓 M12×35 10.9(达克罗) BOLT M12×35 10.9	3	GB/T5783-2000
4	805338261	垫圈 12(达克罗) WASHER 12	3	GB/T93-1987
5	423101346	空气过滤器 AIR FILTER	1	

423300533 BOOM-TYPE ROADHEADER 悬臂式掘进机

423302684 SHOVEL BOARD TOTAL 铲板总成 (标配/3.2m)

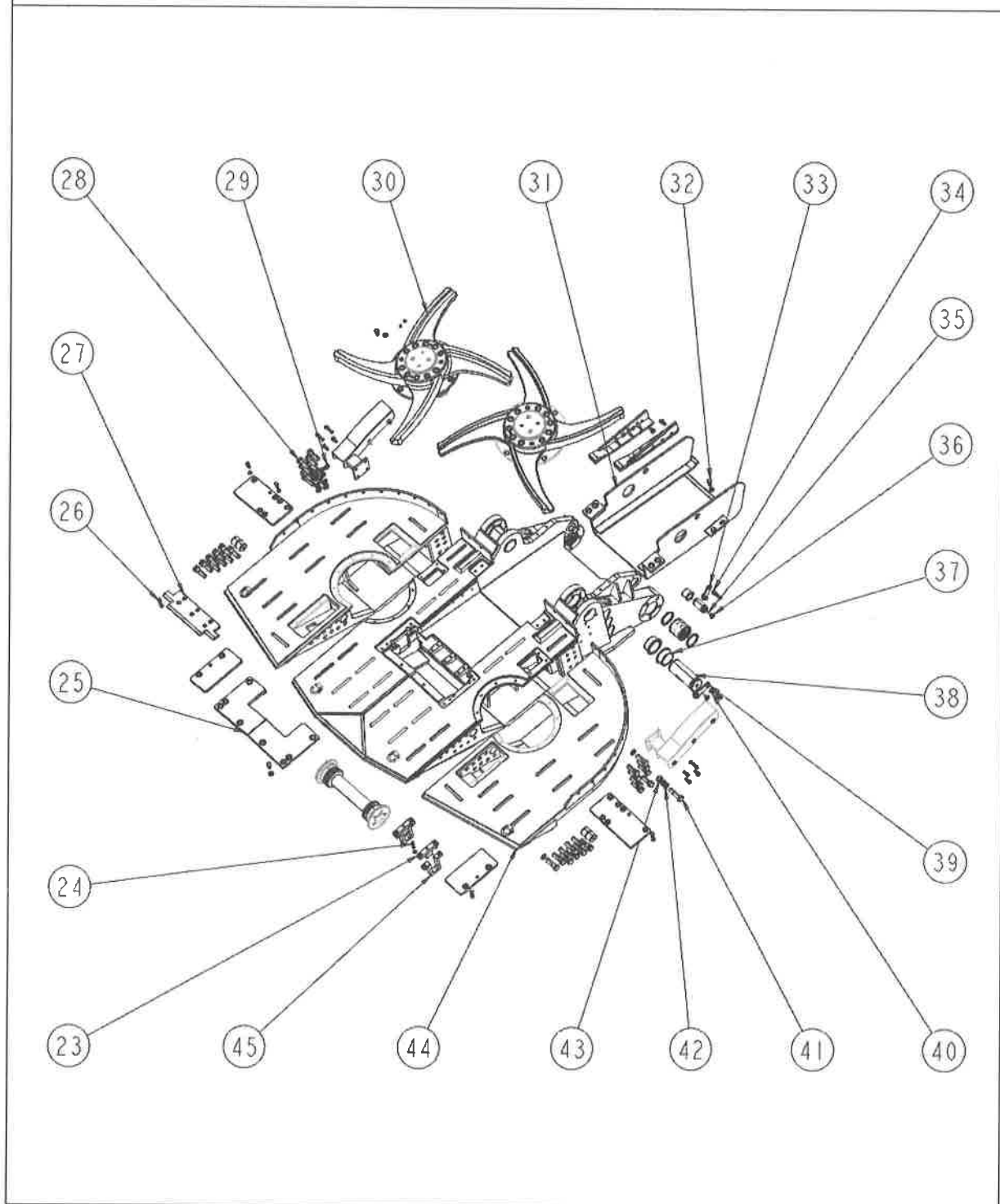



423300533 BOOM-TYPE ROADHEADER 悬臂式掘进机
423302684 SHOVEL BOARD TOTAL 铲板总成 (标配/3.2m)

序号 No.	零部件代号 Part No.	名称 Part name	数量 Q'ty	备注 Remark
1	423302668	主铲板 MAIN BOARD	SHOVEL 1	
2	423302693	右侧铲板 RIGHT BOARD	SHOVEL 1	
3	423300171	后盖板 REAR PLATE	COVER 1	
4	805300011	垫圈 16 WASHER 16	38	GB/T93-1987
5	805000051	螺栓 M16×40 BOLT M16×40	28	GB/T5783-2000
6	423301700	右软管支架 RIGHT SOFT TUBE SUPPORT	1	
7	805046588	螺栓 M20×40 10.9(达克罗) BOLT M20×40 10.9	42	GB/T5783-2000
8	805338288	垫圈 20(达克罗) WASHER 20	40	GB/T97.1-2002
9	805140298	螺钉 M16×10 SCREW M16×10	4	GB/T77-2007
10	423300725	驱动装置 DRIVE DEVICE	1	
11	423300164	挡链板 RESIST BOARD	CHAIN 1	
12	423300166	挡链板 RESIST BOARD	CHAIN 1	
13	423302677	一运销衬套 FIRST TRANSPORT CONNECT BUSH	PIN 2	
14	423302745	一运连接销 FIRST TRANSPORT CONNECT AXLE	2	
15	423300157	衬套 BUSH	2	
16	803377784	防尘圈 DUSTPROOF WASHER	4	
17	423301707	左软管支架 LEFT SOFT TUBE SUPPORT	1	
18	423300167	后盖板 REAR PLATE	COVER 1	
19	423300175	销轴 SHAFT	2	
20	805047618	螺栓 M30×100(达克罗) BOLT M30×100	18	GB/T5782-2000
21	423300170	前侧盖板 FRONT COVER BOARD	SIDE 2	
22	423300724	从动轮装置 DRIVEN DEVICE	WHEEL 1	

423300533 BOOM-TYPE ROADHEADER 悬臂式掘进机

423302684 SHOVEL BOARD TOTAL 铲板总成 (标配/3.2m)

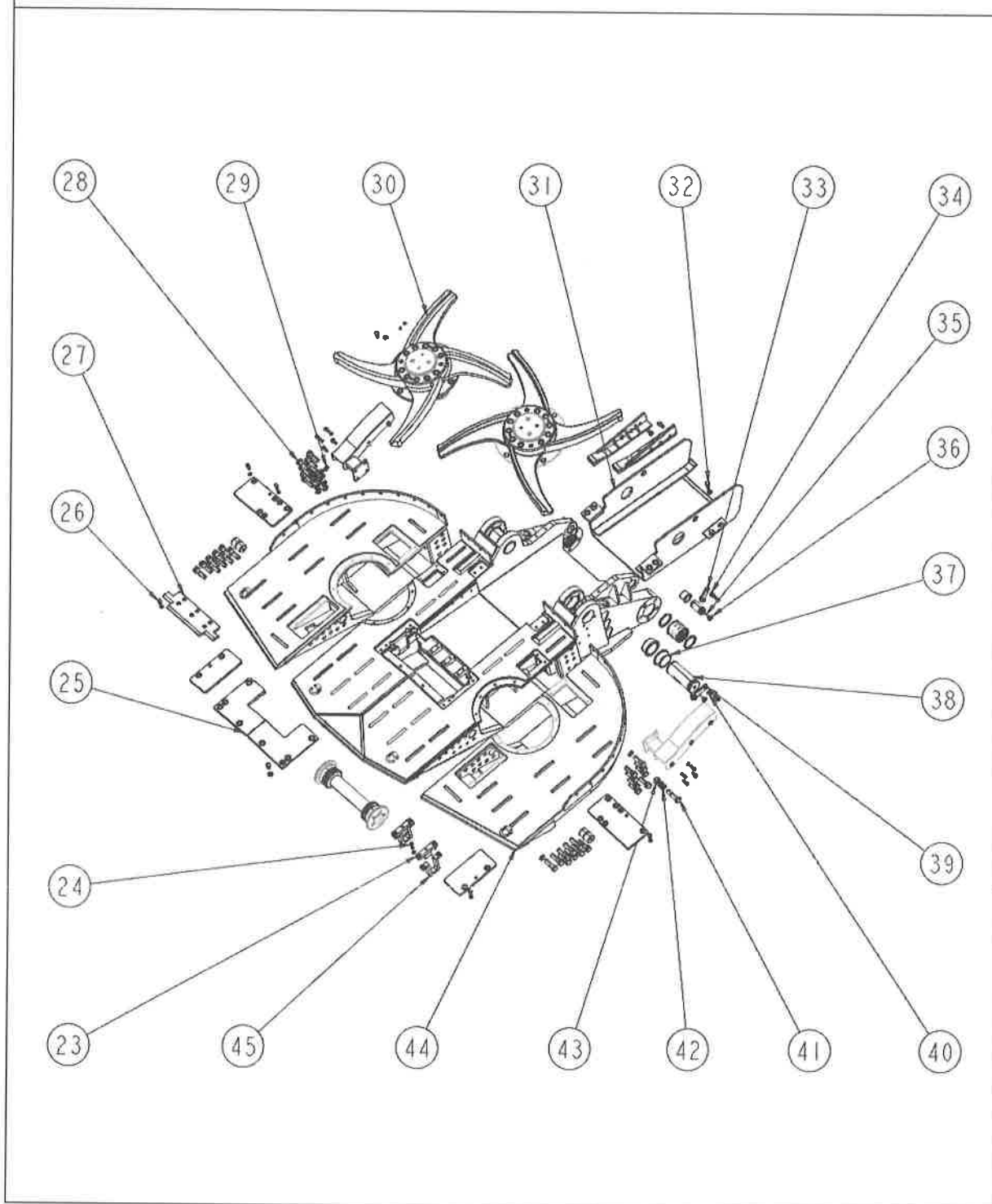



423300533 BOOM-TYPE ROADHEADER 悬臂式掘进机
423302684 SHOVEL BOARD TOTAL 铲板总成 (标配/3.2m)

序号 No.	零部件代号 Part No.	名称 Part name	数量 Q'ty	备注 Remark
23	423300160	压板 CLAMP	2	
24	805100299	螺钉 M16×55 SCREW M16×55	4	GB/T70.1-2008
25	423300150	从动轮盖板 DRIVEN WHEEL COVER BOARD	1	
26	805100202	螺钉 M16×30 SCREW M16×30	6	GB/T70.1-2008
27	423300168	前连接板 FRONT PLATE	1	
28	805047533	螺栓 M30 × 90(达克罗) BOLT M30×90	16	GB/T5782-2000
29	805338586	锁紧垫圈 30 LOCK WASHER 30	35	
30	423300726	驱动装置 DRIVE DEVICE	1	
31	423302664	后槽 BEHIND TROUGH	1	
32	805046591	螺栓 M20 × 50 10.9(达克罗) BOLT M20×50 10.9	4	GB/T5783-2000
33	423302700	挡板 RETAINER	2	
34	805300013	垫圈 16 WASHER 16	4	GB/T97.1-2002
35	801100336	油杯 M10×1 GREASE CUP	4	JB/T7940.1-1995
36	423300285	螺堵 SCREW PLUG	4	
37	423300158	衬套 BUSH	4	
38	423300159	销轴 SHAFT	2	
39	423302751	挡板 RETAINER	2	
40	805338321	垫圈 20(达克罗) WASHER 20	4	GB/T93-1987
41	805047360	螺栓 M30×120 BOLT M30×120	2	GB/T27-2013
42	805338855	锁紧垫圈 LOCK WASHER	2	
43	805238768	螺母 M30 10(达 克罗) NUT M30 10	1	GB/T6170-2000
44	423302708	左侧铲板 LEFT SHOVEL BOARD	1	

423300533 BOOM-TYPE ROADHEADER 悬臂式掘进机

423302684 SHOVEL BOARD TOTAL 铲板总成 (标配/3.2m)





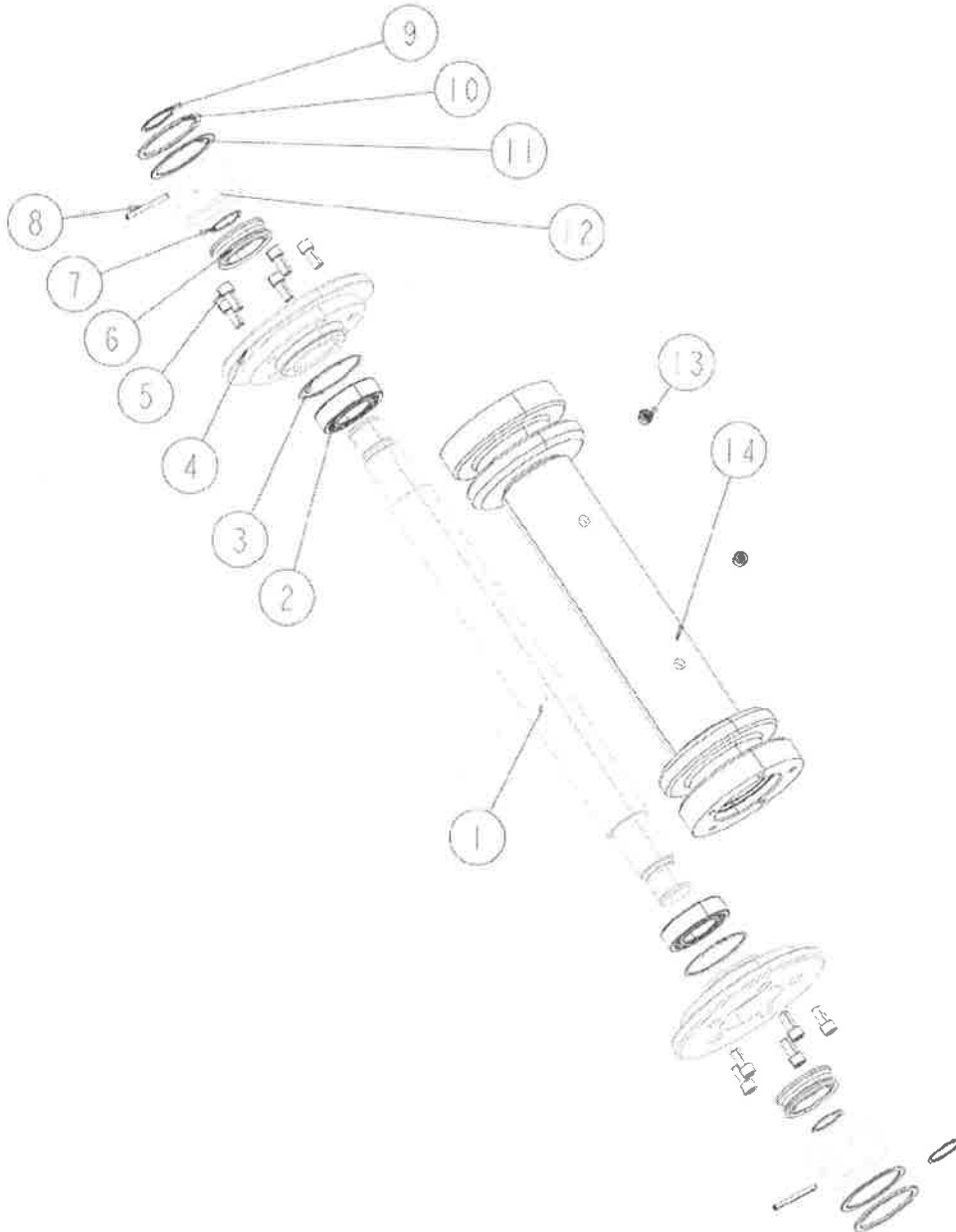
423300533 BOOM-TYPE ROADHEADER 悬臂式掘进机

423302684 SHOVEL BOARD TOTAL 铲板总成 (标配/3.2m)

序号 No.	零部件代号 Part No.		名称 Part name	数量 Q'ty	备注 Remark
45	423300161	定位块	POSITIONING BLOCK	2	

423302684 SHOVEL BOARD TOTAL 铲板总成 (标配/3.2m)

423300724 DRIVEN WHEEL DEVICE 从动轮装置

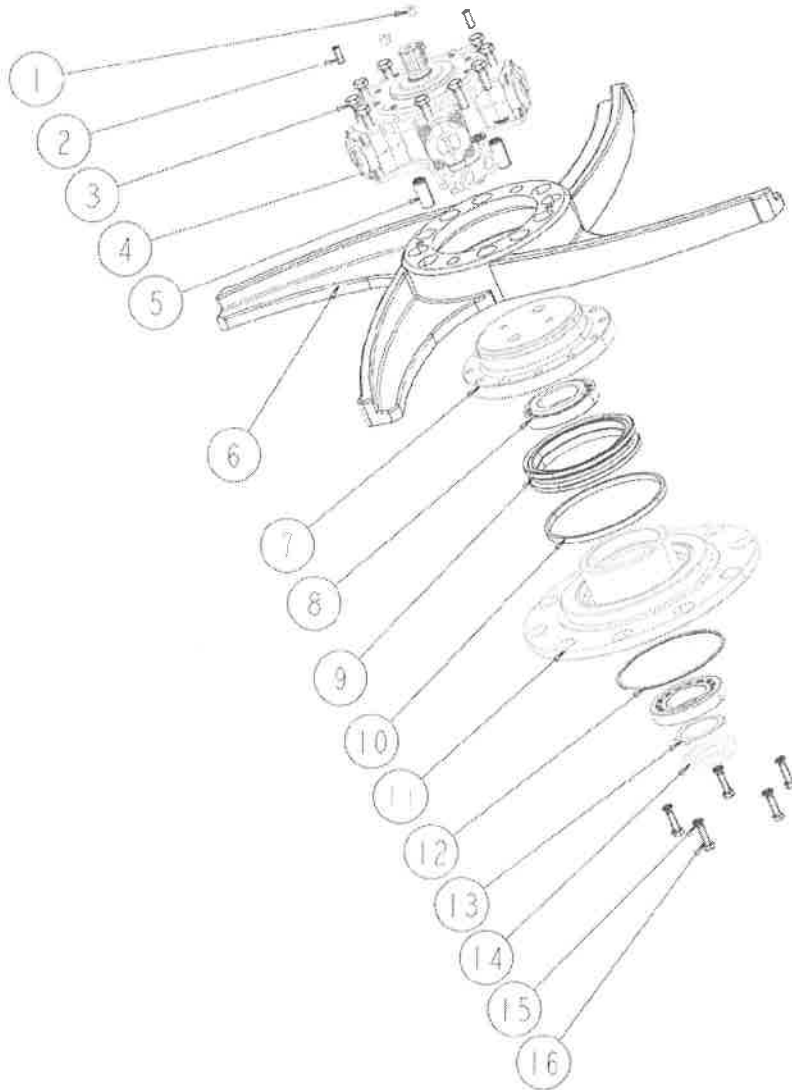




423302684 SHOVEL BOARD TOTAL 铲板总成 (标配/3.2m)				
423300724 DRIVEN WHEEL DEVICE 从动轮装置				
序号 No.	零部件代号 Part No.	名称 Part name	数量 Q'ty	备注 Remark
1	423300146	从动轮轴	DRIVEN WHEEL AXLE	1
2	800551676	轴承 FAG	BEARING FAG	2
3	803175020	O 形圈	O-RING	2 GB/T3452.1-2005
4	423300144	浮动密封座	FLOATING SEAL BASE	2
5	805100115	螺钉 M12×25	SCREW M12×25	10 GB/T70.1-2008
6	803377692	浮动油封	FLOATING SEAL	2
7	803196169	O 形圈	O-RING	2 GB/T3452.1-2005
8	805601736	销 6×65	PIN 6×65	2 GB/T879.1-2000
9	805400021	挡圈 45	HOLD WASHER 45	2 GB/T894.1-1986
10	423300147	调整垫	ADJUST MAT	2
11	423300148	调整垫	ADJUST MAT	2
12	423300143	浮动密封座	FLOATING SEAL BASE	2
13	803198031	螺塞 R3/8	SCREW PLUG R3/8	2 JB/ZQ4446-2006
14	423300145	从动轮	DRIVEN WHEEL	1

423302684 SHOVEL BOARD TOTAL 铲板总成 (标配/3.2m)

423300725 DRIVE DEVICE 驱动装置



Vs



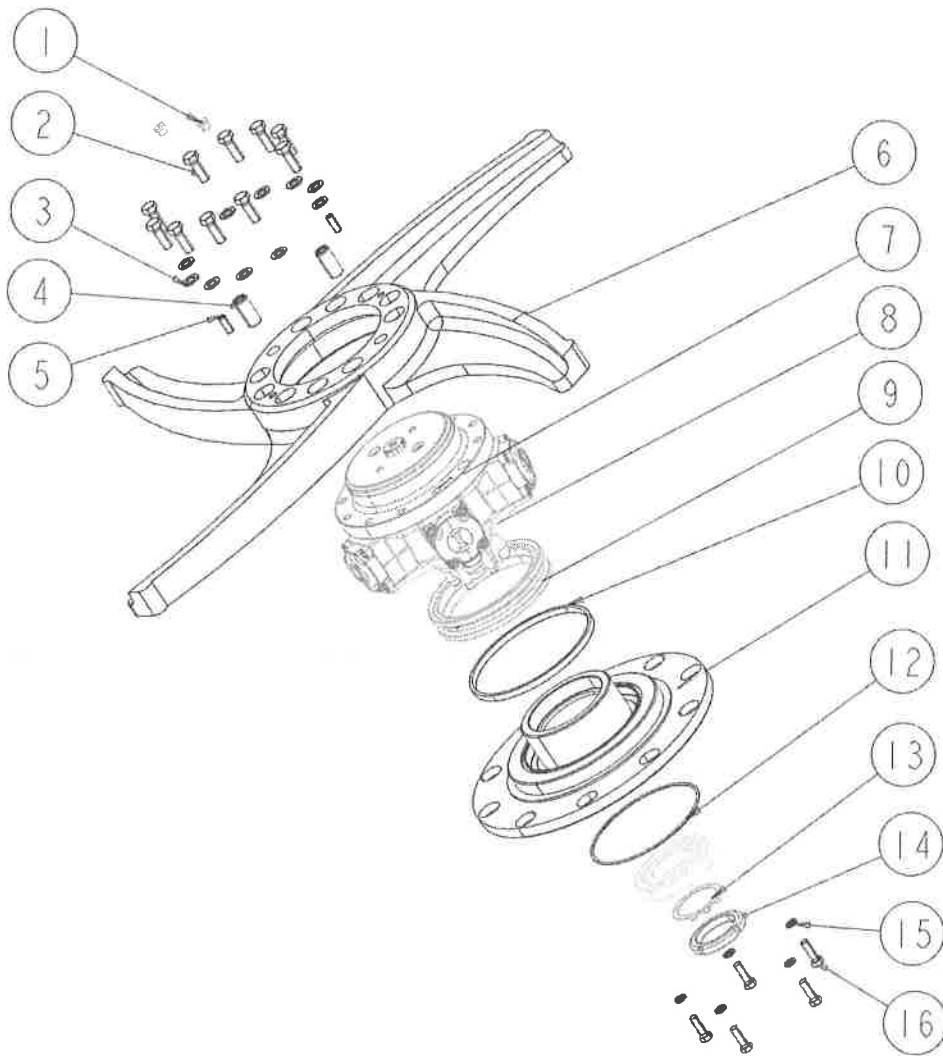
423302684 SHOVEL BOARD TOTAL 铲板总成 (标配/3.2m)

423300725 DRIVE DEVICE 驱动装置

序号 No.	零部件代号 Part No.	名称 Part name	数量 Q'ty	备注 Remark
1	803183080	堵头 PLUG	2	
2	805140230	螺钉 M16×40 SCREW M16×40	2	GB/T77-2007
3	805000378	螺栓 M20×55 BOLT M20×55	10	GB/T5783-2000 标配不伸缩
4	805302848	垫圈 20 WASHER 20	10	GB/T95-2002
5	805639262	销 30×70 PIN 30×70	2	GB/T118-2000
6	423300169	星轮 STAR WHEEL	1	
7	423300177	旋转盘 SPIN PLATE	1	
8	800551675	进口轴承 IMPORT BEARING	2	
9	803377693	浮动油封 FLOATING SEAL	1	
10	423300151	垫圈 WASHER	1	
11	423300152	马达座 MOTOR SEAT	1	
12	803172720	O形圈 O-RING	1	GB/T3452.1-2005
13	805300171	垫圈 95 WASHER 95	1	GB/T858-1988
14	805200265	螺母 M95×2 NUT M95×2	1	GB/T812-1988
15	805338580	锁紧垫圈 LOCK WASHER	5	
16	805006290	螺栓 M16×50 10.9(达克罗) BOLT M16×50 10.9	5	GB/T5783-2000

423302684 SHOVEL BOARD TOTAL 铲板总成 (标配/3.2m)

423300726 DRIVE DEVICE 驱动装置





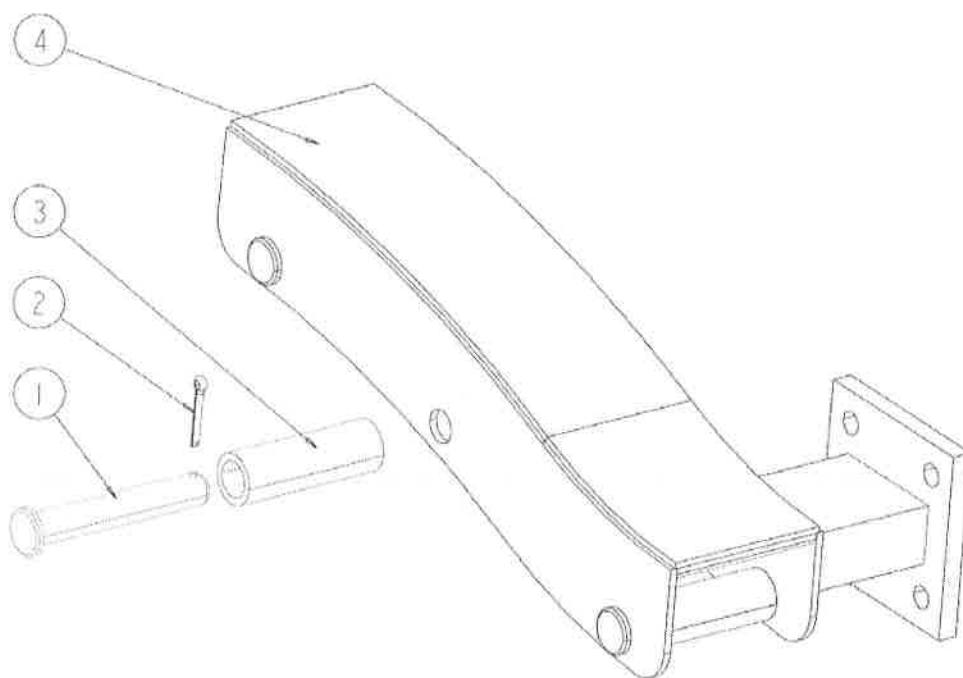
423302684 SHOVEL BOARD TOTAL 铲板总成 (标配/3.2m)

423300726 DRIVE DEVICE 驱动装置

序号 No.	零部件代号 Part No.	名称 Part name	数量 Q'ty	备注 Remark
1	803183080	堵头 PLUG	2	
2	805000378	螺栓 M20×55 BOLT M20×55	10	GB/T5783-2000
3	805302848	垫圈 20 WASHER 20	10	GB/T95-2002
4	805639262	销 30×70 PIN 30×70	2	GB/T118-2000
5	805140230	螺钉 M16×40 SCREW M16×40	2	GB/T77-2007
6	423300153	星轮 STAR WHEEL	1	
7	423300177	旋转盘 SPIN PLATE	1	
8	800551675	进口轴承 IMPORT BEARING	2	
9	803377693	浮动油封 FLOATING SEAL	1	
10	423300151	垫圈 WASHER	1	
11	423300152	马达座 MOTOR SEAT	1	
12	803172720	O形圈 O-RING	1	GB/T3452.1-2005
13	805300171	垫圈 95 WASHER 95	1	GB/T858-1988
14	805200265	螺母 M95×2 NUT M95×2	1	GB/T812-1988
15	805338580	锁紧垫圈 LOCK WASHER	5	
16	805006290	螺栓 M16×50 10.9(达克罗) BOLT M16×50 10.9	5	GB/T5783-2000

423302684 SHOVEL BOARD TOTAL 铲板总成 (标配/3.2m)

423301700 RIGHT SOFT TUBE SUPPORT 右软管支架





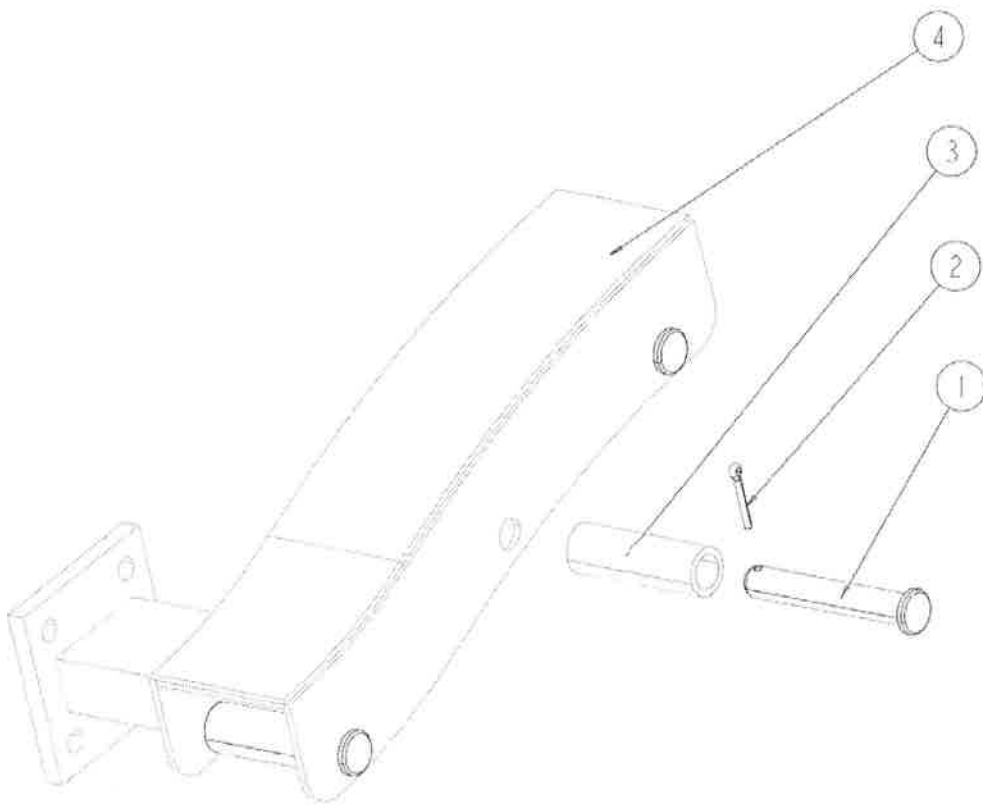
423302684 SHOVEL BOARD TOTAL 铲板总成 (标配/3.2m)

423301700 RIGHT SOFT TUBE SUPPORT 右软管支架

序号 No.	零部件代号 Part No.	名称 Part name		数量 Q'ty	备注 Remark
1	805600179	销 25×160	PIN 25×160	3	GB/T882-2008
2	805600051	销 6.3×40	PIN 6.3×40	3	GB/T91-2000
3	423301701	无缝钢管 φ 40 × 6-125	SEAMLESS STEEL TUBE φ40×6-125	3	
4	423301702	右管架	RIGHT TUBE SUPPORT	1	

423302684 SHOVEL BOARD TOTAL 铲板总成 (标配/3.2m)

423301707 LEFT SOFT TUBE SUPPORT 左软管支架





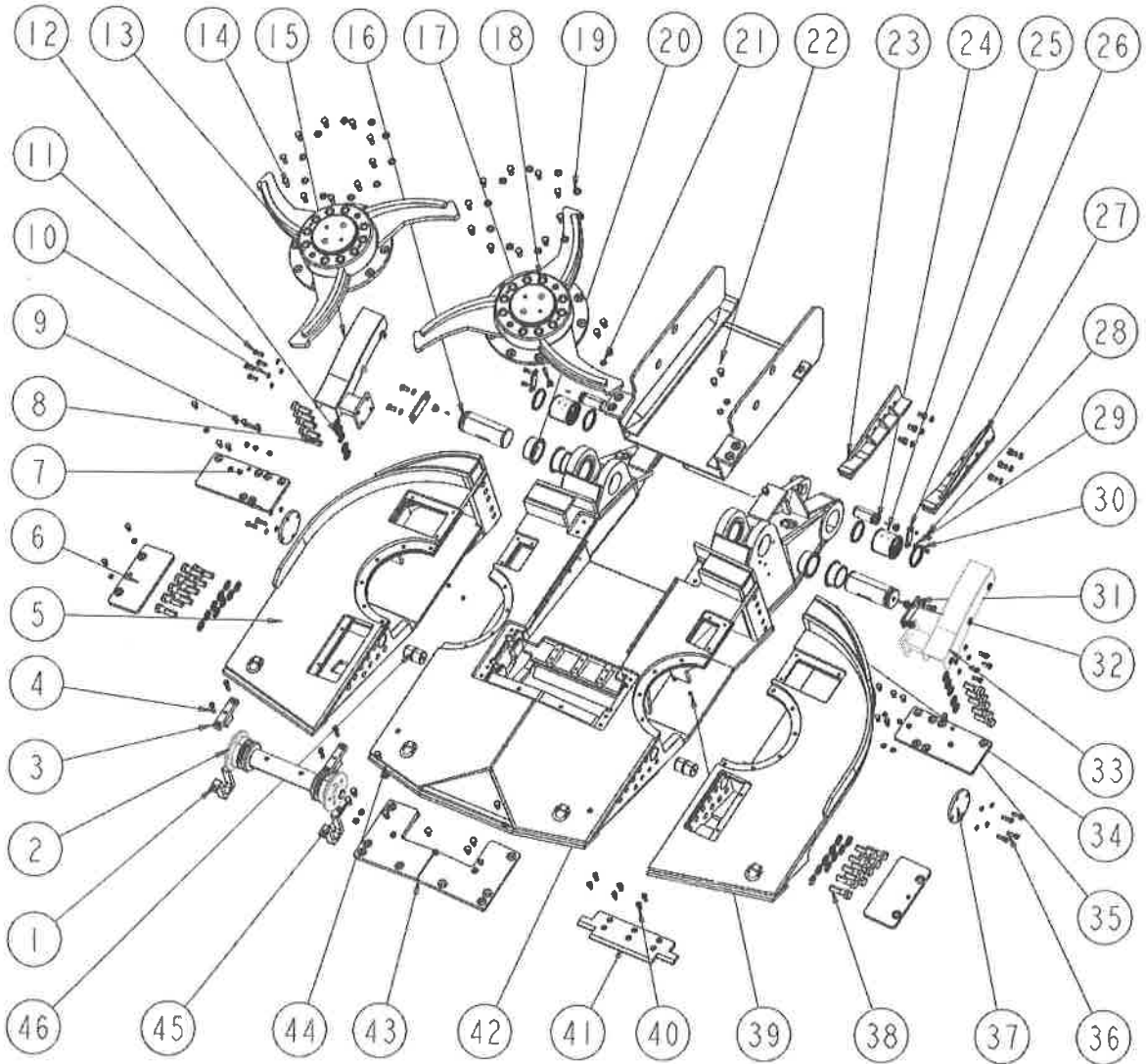
423302684 SHOVEL BOARD TOTAL 铲板总成 (标配/3.2m)

423301707 LEFT SOFT TUBE SUPPORT 左软管支架

序号 No.	零部件代号 Part No.	名称 Part name		数量 Q'ty	备注 Remark
1	805600179	销 25×160	PIN 25×160	3	GB/T882-2008
2	805600051	销 6.3×40	PIN 6.3×40	3	GB/T91-2000
3	423301701	无缝钢管 φ 40 × 6-125	SEAMLESS STEEL TUBE φ40×6-125	3	
4	423301708	左管架	LEFT TUBE SUPPORT	1	

423300533 BOOM-TYPE ROADHEADER 悬臂式掘进机

423300727 SHOVEL BOARD TOTAL 铲板总成 (选配/2.8m)





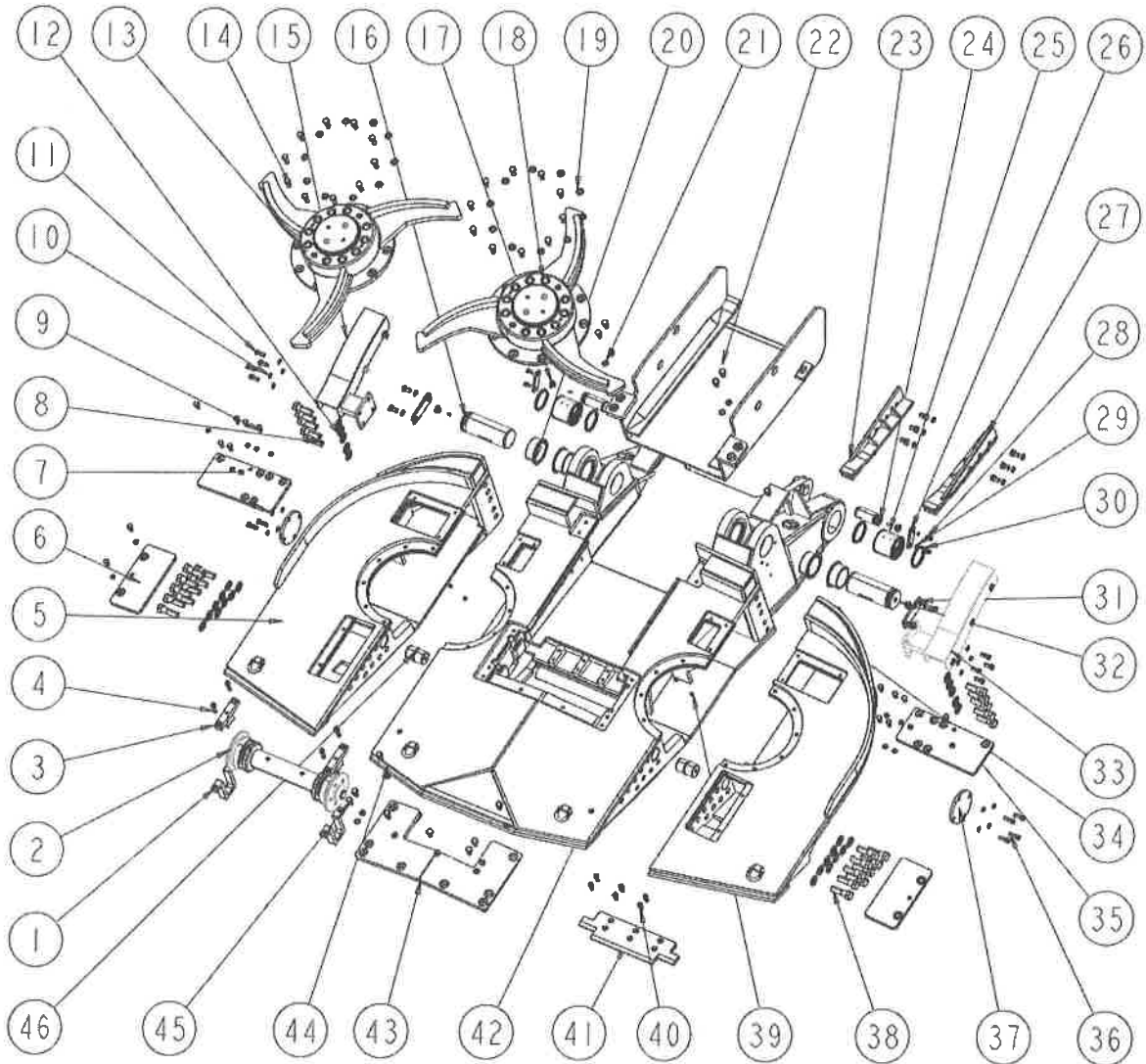
423300533 BOOM-TYPE ROADHEADER 悬臂式掘进机

423300727 SHOVEL BOARD TOTAL 铲板总成 (选配/2.8m)

序号 No.	零部件代号 Part No.	名称 Part name	数量 Q'ty	备注 Remark
1	423300161	定位块 POSITIONING BLOCK	2	
2	423300724	从动轮装置 DRIVEN WHEEL DEVICE	1	
3	423300160	压板 CLAMP	2	
4	805100299	螺钉 M16×55 SCREW M16×55	4	GB/T70.1-2008
5	423300178	右侧铲板 RIGHT SHOVEL BOARD	1	
6	423300170	前侧盖板 FRONT SIDE COVER BOARD	2	
7	423300171	后盖板 REAR COVER PLATE	1	
8	805047533	螺栓 M30×90(达克罗) BOLT M30×90	10	GB/T5782-2000
9	805000038	螺栓 M16×30 BOLT M16×30	16	GB/T5783-2000
10	805300011	垫圈 16 WASHER 16	32	GB/T93-1987
11	805000051	螺栓 M16×40 BOLT M16×40	8	GB/T5783-2000
12	805338390	垫圈 30(达克罗) WASHER 30	28	GB/T97.1-2002
13	423300728	右驱动装置 RIGHT DRIVE DEVICE	1	
14	805046588	螺栓 M20×40 10.9(达克罗) BOLT M20×40 10.9	20	GB/T5783-2000
15	423301700	右软管支架 RIGHT SOFT TUBE SUPPORT	1	
16	423300159	销轴 SHAFT	2	
17	423300285	螺堵 SCREW PLUG	4	
18	423300729	左驱动装置 LEFT DRIVE DEVICE	1	
19	805338288	垫圈 20(达克罗) WASHER 20	20	GB/T97.1-2002
20	423300158	衬套 BUSH	4	
21	805300023	垫圈 20 WASHER 20	24	GB/T93-1987
22	423300165	连接板 PLANK	1	

423300533 BOOM-TYPE ROADHEADER 悬臂式掘进机

423300727 SHOVEL BOARD TOTAL 铲板总成 (选配/2.8m)

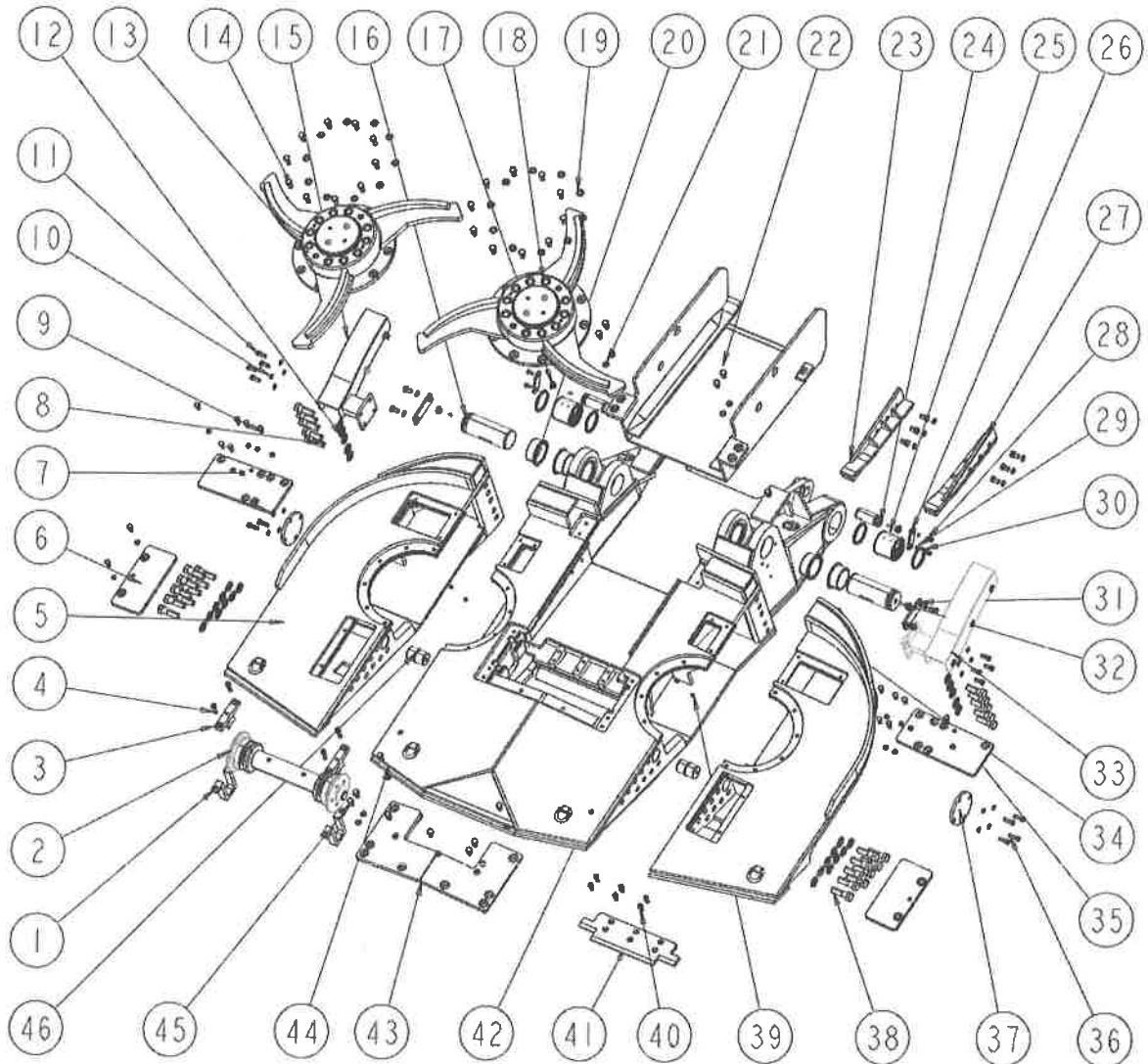



423300533 BOOM-TYPE ROADHEADER 悬臂式掘进机
423300727 SHOVEL BOARD TOTAL 铲板总成 (选配/2.8m)

序号 No.	零部件代号 Part No.	名称 Part name	数量 Q'ty	备注 Remark
23	423300164	挡链板 RESIST CHAIN BOARD	1	
24	423300176	销 PIN	2	
25	423300157	衬套 BUSH	2	
26	423300156	挡板 RETAINER	2	
27	423300166	挡链板 RESIST CHAIN BOARD	1	
28	805000715	螺栓 M12×25 BOLT M12×25	4	GB/T5783-2000
29	805300018	垫圈 12 WASHER 12	4	GB/T93-1987
30	803377784	防尘圈 DUSTPROOF WASHER	4	
31	423300132	挡板 RETAINER	2	
32	801100336	油杯 M10×1 GREASE CUP	4	JB/T7940.1-1995
33	423301707	左软管支架 LEFT SOFT TUBE SUPPORT	1	
34	423300181	左侧铲板 LEFT SHOVEL BOARD	1	
35	423300167	后盖板 REAR COVER PLATE	1	
36	805000028	螺栓 M16×50 BOLT M16×50	8	GB/T5783-2000
37	423300183	视窗盖板 WINDOW COVER PLATE	2	
38	805047618	螺栓 M30 × 100(达克罗) BOLT M30×100	18	GB/T5782-2000
39	805140298	螺钉 M16×10 SCREW M16×10	4	GB/T77-2007
40	805100202	螺钉 M16×30 SCREW M16×30	6	GB/T70.1-2008
41	423300168	前连接板 FRONT PLATE	1	
42	805140299	螺钉 M24×25 SCREW M24×25	4	GB/T77-2007
43	423300150	从动轮盖板 DRIVEN WHEEL COVER BOARD	1	
44	423300179	主铲板 MAIN SHOVEL BOARD	1	

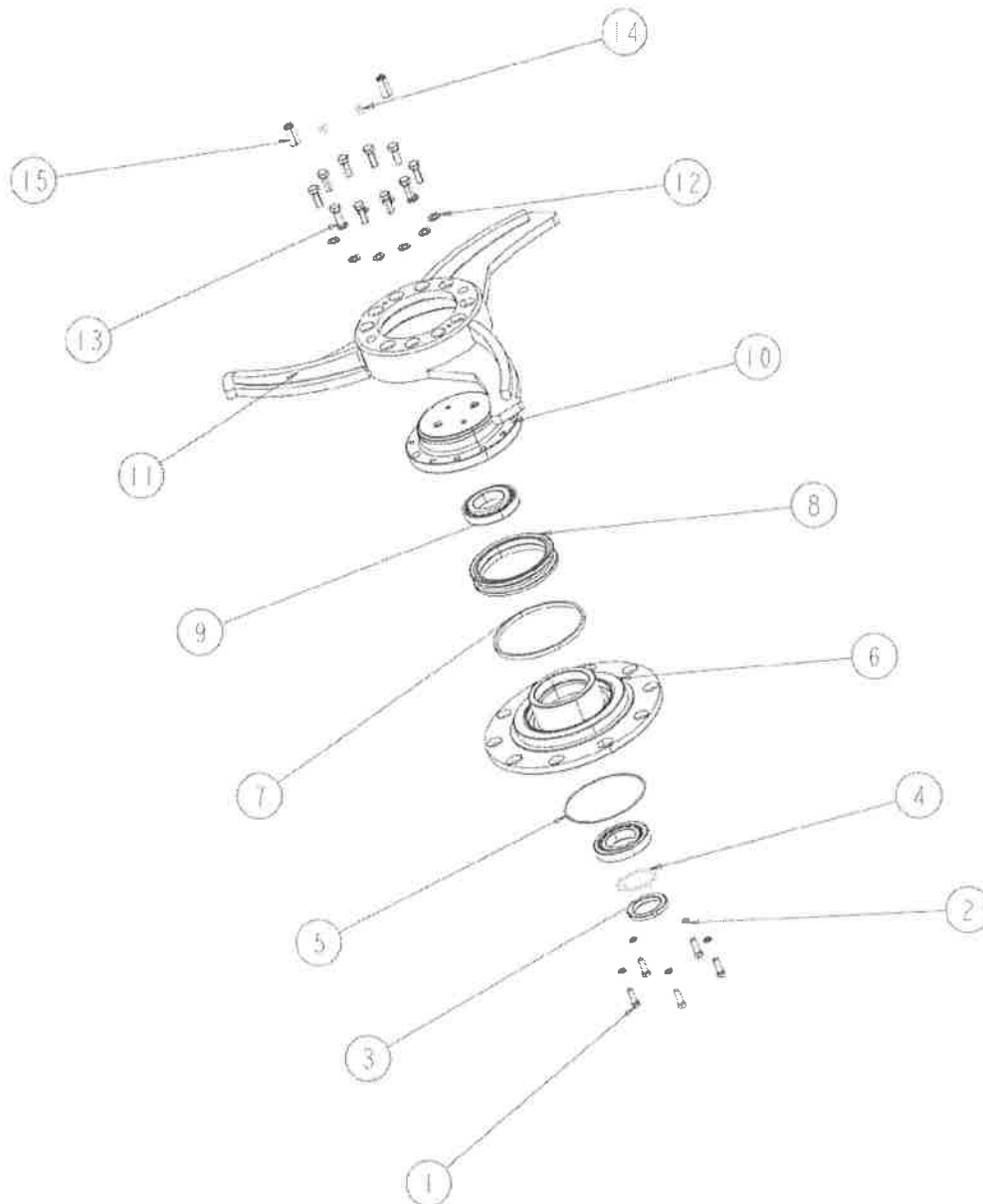
423300533 BOOM-TYPE ROADHEADER 悬臂式掘进机

423300727 SHOVEL BOARD TOTAL 铲板总成 (选配/2.8m)



423300727 SHOVEL BOARD TOTAL 铲板总成 (选配/2.8m)

423300728 RIGHT DRIVE DEVICE 右驱动装置





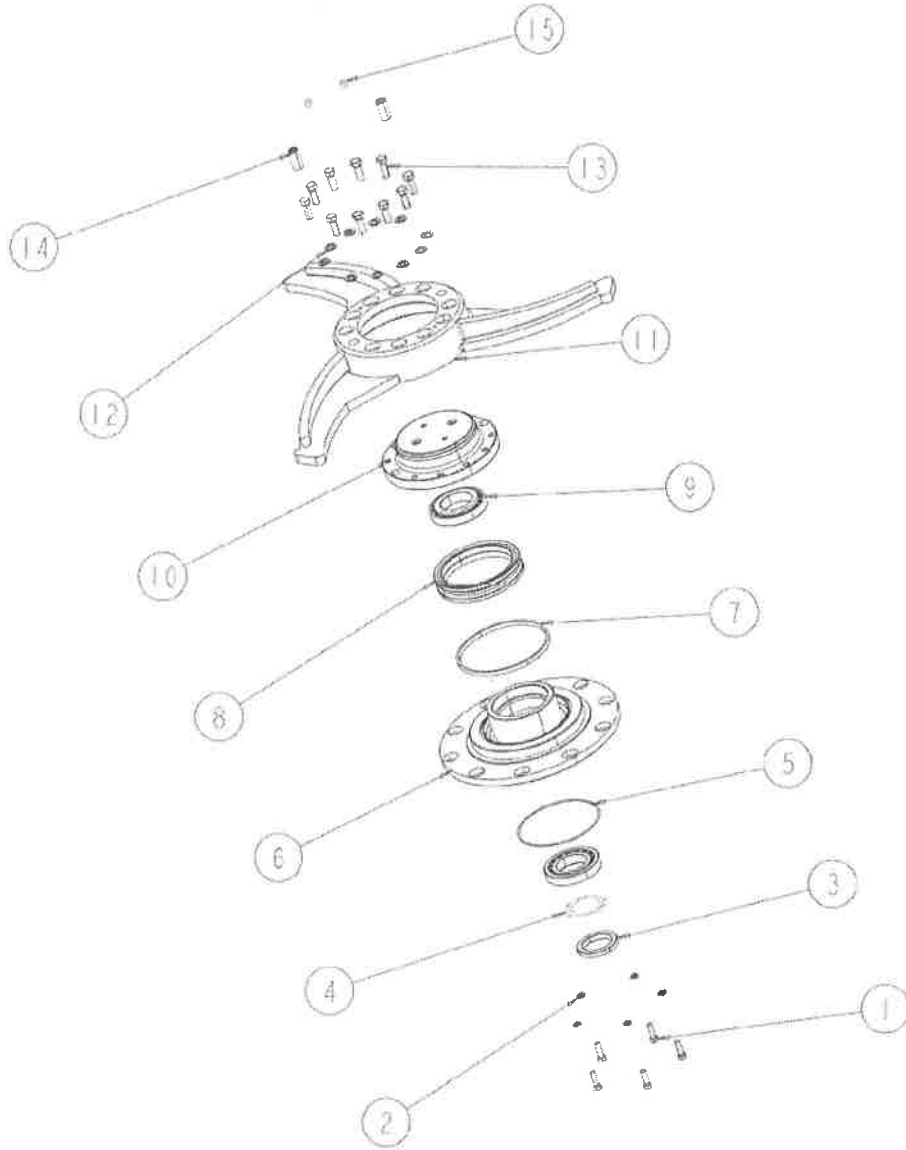
423300727 SHOVEL BOARD TOTAL 铲板总成 (选配/2.8m)

423300728 RIGHT DRIVE DEVICE 右驱动装置

序号 No.	零部件代号 Part No.	名称 Part name	数量 Q'ty	备注 Remark
1	805006290	螺栓 M16 × 50 10.9(达克罗)	BOLT M16×50 10.9	5 GB/T5783-2000
2	805338580	锁紧垫圈	LOCK WASHER	5
3	805200265	螺母 M95×2	NUT M95×2	1 GB/T812-1988
4	805300171	垫圈 95	WASHER 95	1 GB/T858-1988
5	803172720	O形圈	O-RING	1 GB/T3452.1-2005
6	423300152	马达座	MOTOR SEAT	1
7	423300151	垫圈	WASHER	1
8	803377693	浮动油封	FLOATING SEAL	1
9	800551675	进口轴承	IMPORT BEARING	2
10	423300177	旋转盘	SPIN PLATE	1
11	423300180	右焊接星轮	RIGHR WHEEL WELDING	1
12	805302848	垫圈 20	WASHER 20	10 GB/T95-2002
13	805000378	螺栓 M20×55	BOLT M20×55	10 GB/T5783-2000
14	803183080	堵头	PLUG	2
15	805639262	销 30×70	PIN 30×70	2 GB/T118-2000

423300727 SHOVEL BOARD TOTAL 铲板总成 (选配/2.8m)

423300729 LEFT DRIVE DEVICE 左驱动装置





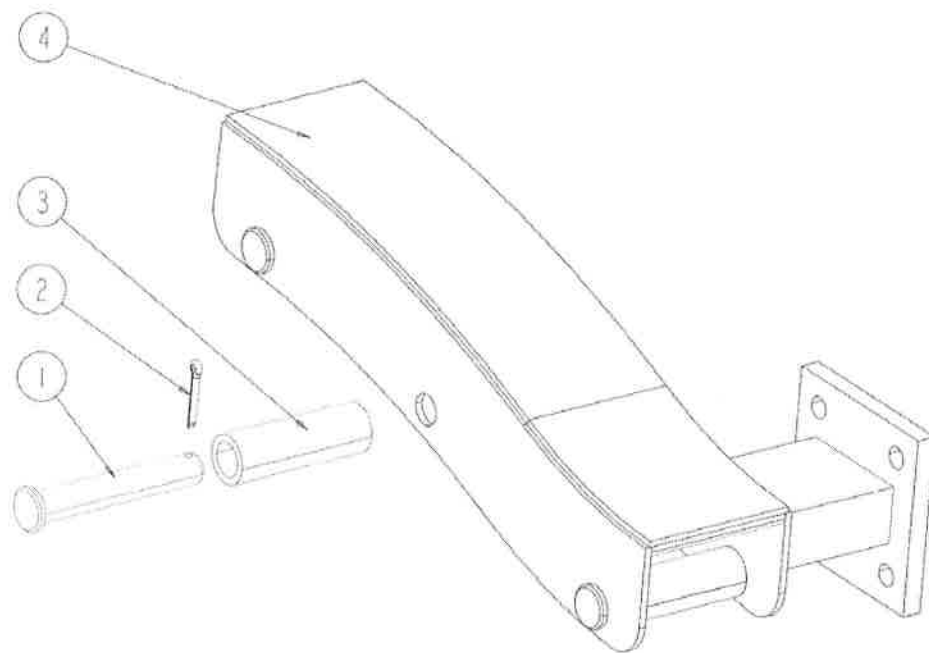
423300727 SHOVEL BOARD TOTAL 铲板总成 (选配/2.8m)

423300729 LEFT DRIVE DEVICE 左驱动装置

序号 No.	零部件代号 Part No.	名称 Part name	数量 Q'ty	备注 Remark
1	805006290	螺栓 M16×50 10.9(达克罗)	BOLT M16×50 10.9	5 GB/T5783-2000
2	805338580	锁紧垫圈	LOCK WASHER	5
3	805200265	螺母 M95×2	NUT M95×2	1 GB/T812-1988
4	805300171	垫圈 95	WASHER 95	1 GB/T858-1988
5	803172720	O形圈	O-RING	1 GB/T3452.1-2005
6	423300152	马达座	MOTOR SEAT	1
7	423300151	垫圈	WASHER	1
8	803377693	浮动油封	FLOATING SEAL	1
9	800551675	进口轴承	IMPORT BEARING	2
10	423300177	旋转盘	SPIN PLATE	1
11	423300182	左焊接星轮	LEFT WHEEL WELDING	1
12	805302848	垫圈 20	WASHER 20	10 GB/T95-2002
13	805000378	螺栓 M20×55	BOLT M20×55	10 GB/T5783-2000
14	805639262	销 30×70	PIN 30×70	2 GB/T118-2000
15	803183080	堵头	PLUG	2

423300727 SHOVEL BOARD TOTAL 铲板总成 (选配/2.8m)

423301700 RIGHT SOFT TUBE SUPPORT 右软管支架





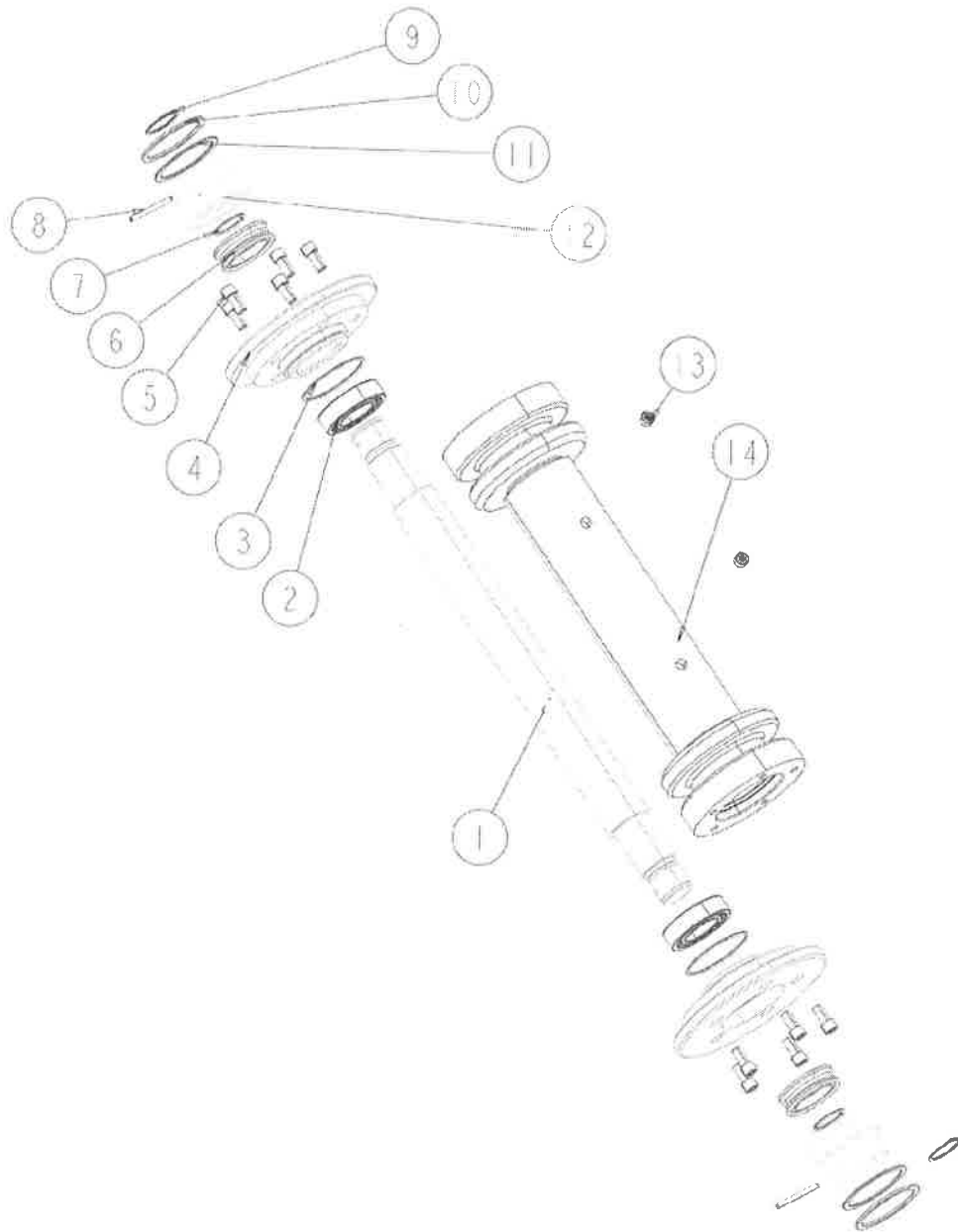
423300727 SHOVEL BOARD TOTAL 铲板总成 (选配/2.8m)

423301700 RIGHT SOFT TUBE SUPPORT 右软管支架

序号 No.	零部件代号 Part No.	名称 Part name	数量 Q'ty	备注 Remark
1	805600179	销 25×160	3	PIN 25×160 GB/T882-2008
2	805600051	销 6.3×40	3	PIN 6.3×40 GB/T91-2000
3	423301701	无缝钢管 φ 40 × 6-125	3	SEAMLESS STEEL TUBE φ40×6-125
4	423301702	右管架	1	RIGHT TUBE SUPPORT

423300727 SHOVEL BOARD TOTAL 铲板总成 (选配/2.8m)

423300724 DRIVEN WHEEL DEVICE 从动轮装置



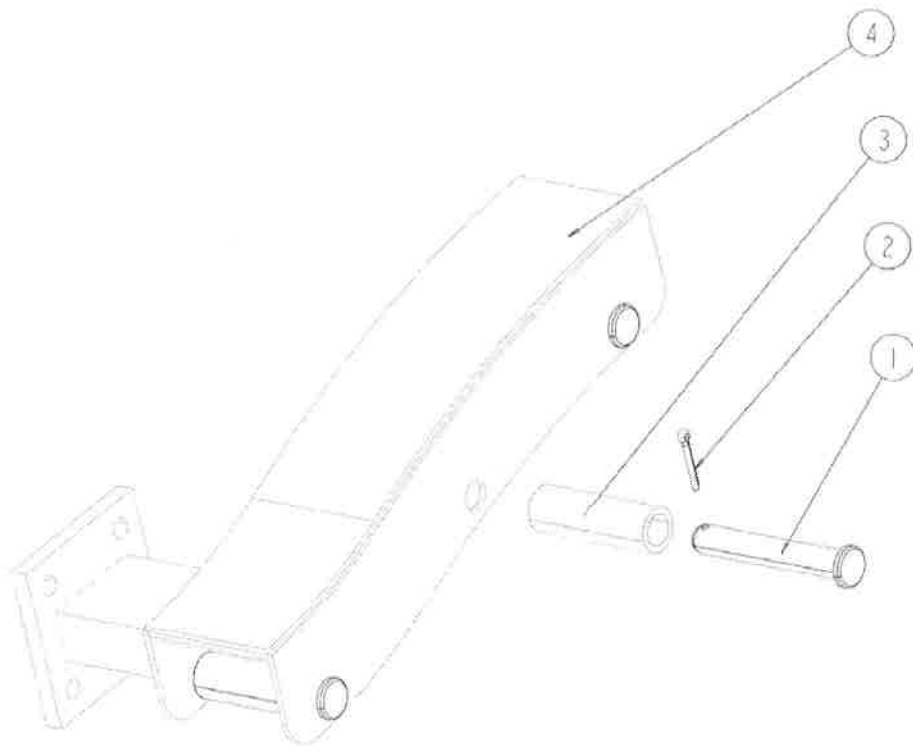
423300727 SHOVEL BOARD TOTAL 铲板总成 (选配/2.8m)

423300724 DRIVEN WHEEL DEVICE 从动轮装置

序号 No.	零部件代号 Part No.	名称 Part name	数量 Q'ty	备注 Remark
1	423300146	从动轮轴	1	
2	800551676	轴承 FAG	2	
3	803175020	O 形圈	2	GB/T3452.1-2005
4	423300144	浮动密封座	2	
5	805100115	螺钉 M12×25	10	GB/T70.1-2008
6	803377692	浮动油封	2	
7	803196169	O 形圈	2	GB/T3452.1-2005
8	805601736	销 6×65	2	GB/T879.1-2000
9	805400021	挡圈 45	2	GB/T894.1-1986
10	423300147	调整垫	2	
11	423300148	调整垫	2	
12	423300143	浮动密封座	2	
13	803198031	螺塞 R3/8	2	JB/ZQ4446-2006
14	423300145	从动轮	1	

423300727 SHOVEL BOARD TOTAL 铲板总成 (选配/2.8m)

423301707 LEFT SOFT TUBE SUPPORT 左软管支架

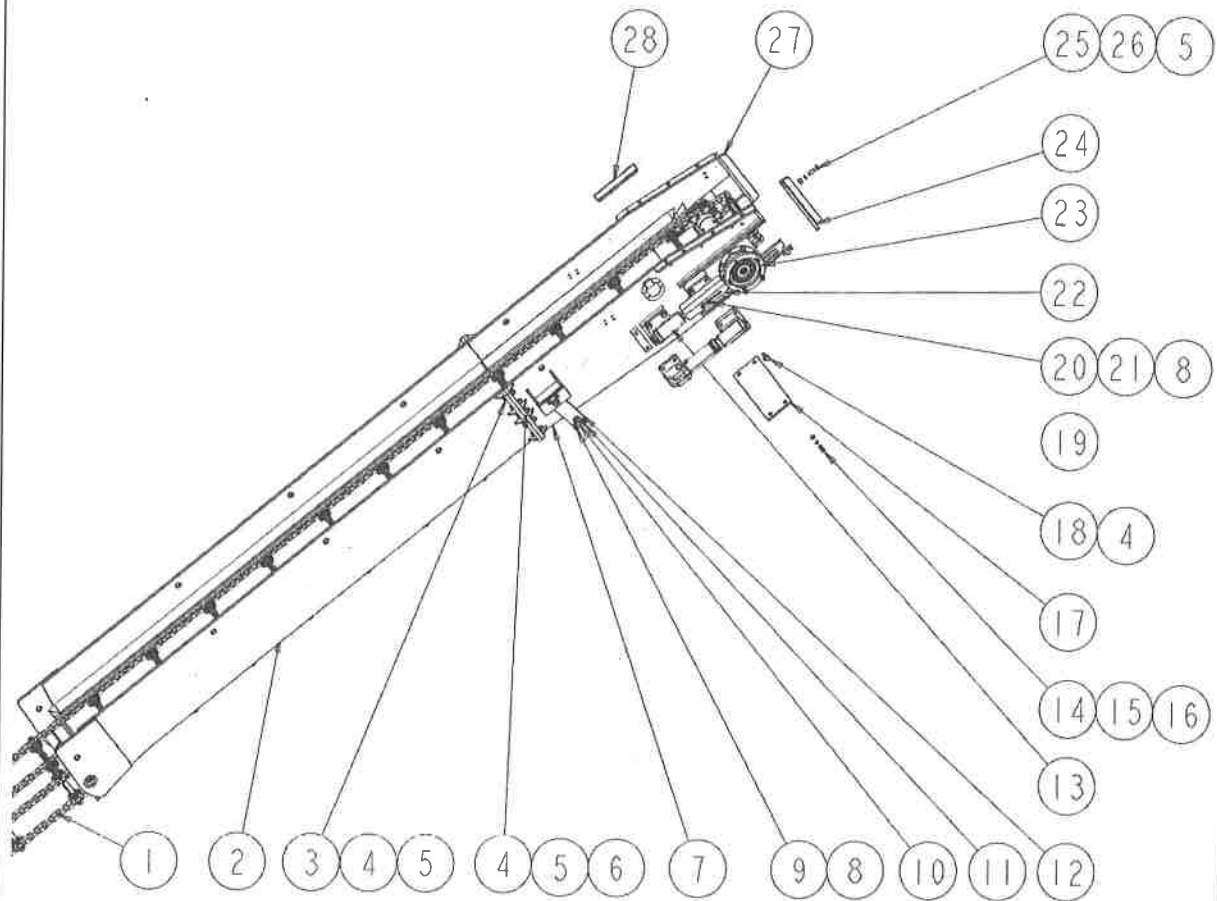



423300727 SHOVEL BOARD TOTAL 铲板总成 (选配/2.8m)
423301707 LEFT SOFT TUBE SUPPORT 左软管支架

序号 No.	零部件代号 Part No.	名称 Part name		数量 Q'ty	备注 Remark
1	805600179	销 25×160	PIN 25×160	3	GB/T882-2008
2	805600051	销 6.3×40	PIN 6.3×40	3	GB/T91-2000
3	423301701	无缝钢管 φ40× 6-125	SEAMLESS STEEL TUBE φ40×6-125	3	
4	423301708	左管架	LEFT TUBE SUPPORT	1	

423300533 BOOM-TYPE ROADHEADER 悬臂式掘进机

423300730 FIRST CONVEYOR 第一运输机





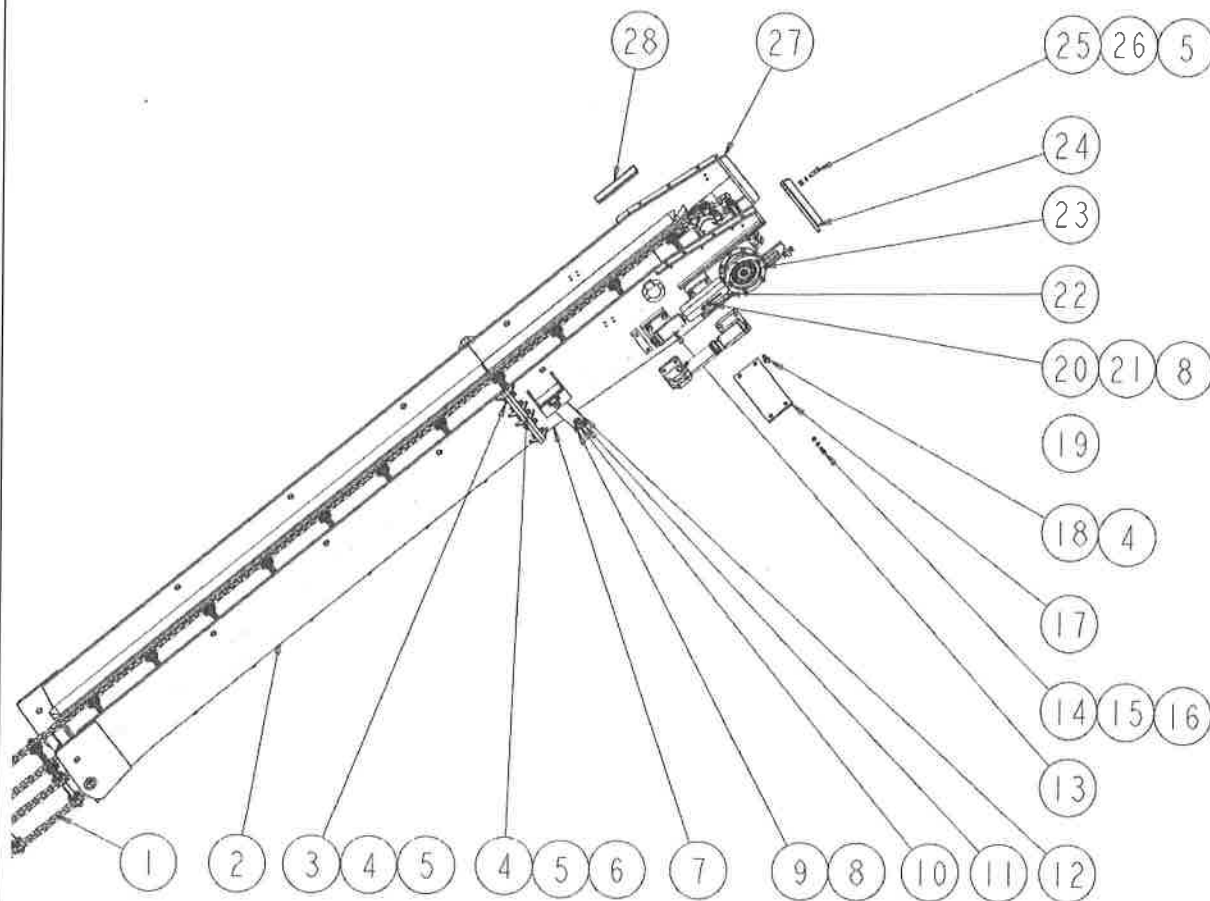
423300533 BOOM-TYPE ROADHEADER 悬臂式掘进机

423300730 FIRST CONVEYOR 第一运输机

序号 No.	零部件代号 Part No.	名称 Part name	数量 Q'ty	备注 Remark
1	423300208	刮板链组件 LANYARDS VERSION	1	
2	423300184	前溜槽 FORMER CHUTE	1	
3	805004836	螺栓 M20×80 10.9(达克罗) BOLT M20×8010.9(DACROMET)	8	GB/T5782-2000
4	805338288	垫圈 20(达克罗) WASHER 20	26	GB/T97.1-2002
5	805238375	螺母 M20 10(达克罗) NUT M20 10	14	GB/T6170-2000
6	805005532	螺栓 M20×80 BOLT M20×80	2	GB/T27-2013
7	423300188	后溜槽 LATTER CHUTE	1	
8	805300018	垫圈 12 WASHER 12	12	GB/T93-1987
9	805000715	螺栓 M12×25 BOLT M12×25	8	GB/T5783-2000
10	423300187	连接销 PIN	4	
11	423300185	挡板 RETAINER	4	
12	423300186	支板 BRACKET	2	
13	423300731	涨紧装置 TRACK	2	标配/丝杠涨紧
14	805000013	螺栓 M16×35 BOLT M16×35	4	GB/T5783-2000
15	805300011	垫圈 16 WASHER 16	4	GB/T93-1987
16	805338577	垫圈 16 WASHER 16	4	GB/T95-2002
17	423300212	托板 BRACKET	1	
18	805046591	螺栓 M20×50 10.9(达克罗) BOLT M20×50 10.9	16	GB/T5783-2000
19	423301720	涨紧装置 TRACK	2	选配/油缸涨紧
20	805300020	垫圈 12 WASHER 12	4	GB/T97.1-2002
21	805000074	螺栓 M12×20 BOLT M12×20	4	GB/T5783-2000
22	423300211	右涨紧保护罩 RIGHT TENSION COVER	1	
23	423300732	驱动装置 DRIVE DEVICE	1	
24	423300214	左挡板 LEFT BLOCK BOARD	1	

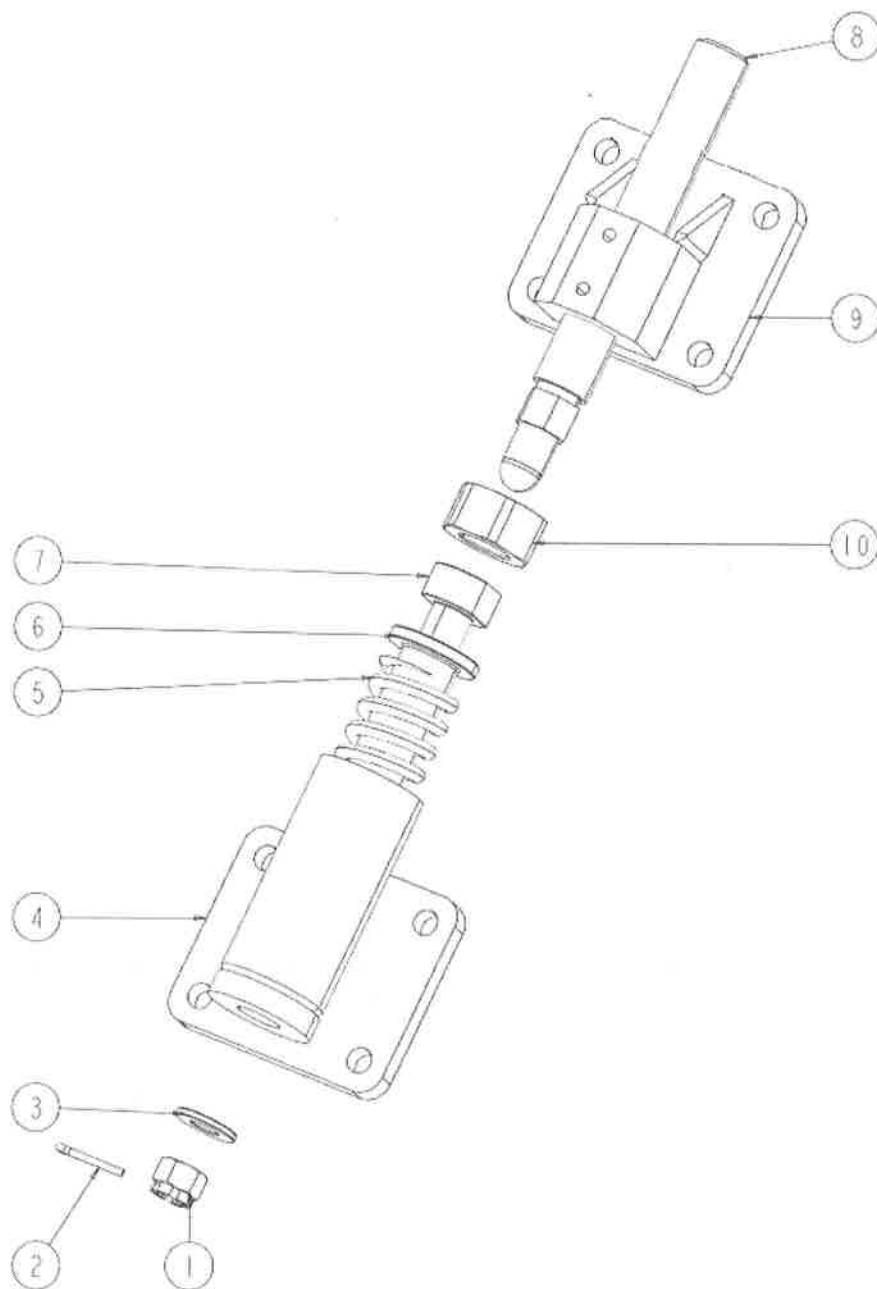
423300533 BOOM-TYPE ROADHEADER 悬臂式掘进机

423300730 FIRST CONVEYOR 第一运输机



423300730 FIRST CONVEYOR 第一运输机

423300731 TRACK 涨紧装置 (标配/丝杠涨紧)





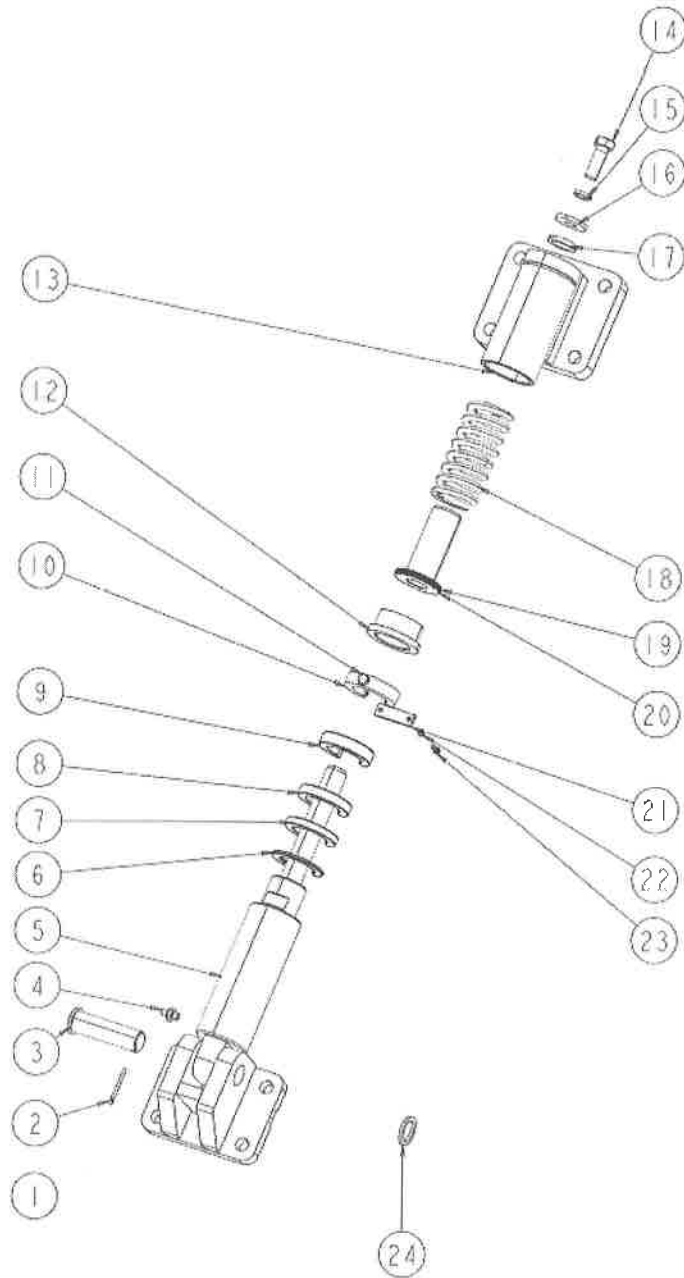
423300730 FIRST CONVEYOR 第一运输机

423300731 TRACK 涨紧装置 (标配/丝杠涨紧)

序号 No.	零部件代号 Part No.	名称 Part name	数量 Q'ty	备注 Remark
1	805203484	螺母 M24 NUT M24	1	GB/T6178-1986
2	805601551	销 6×50 PIN 6×50	1	GB/T91-2000
3	423300189	垫圈 WASHER	1	
4	423300193	弹簧座 SPRING SEAT	1	
5	423300190	弹簧 SPRING	1	
6	423300192	隔套 SLEEVE	1	
7	423300191	压杆 PRESSURE BAR	1	
8	423300196	丝杠 LEAD SCREW	1	
9	423300195	丝母座 NUT PLATE	1	
10	423300194	丝母 NUT	1	

423300730 FIRST CONVEYOR 第一运输机

423301720 TRACK 涨紧装置 (选配/油缸涨紧)



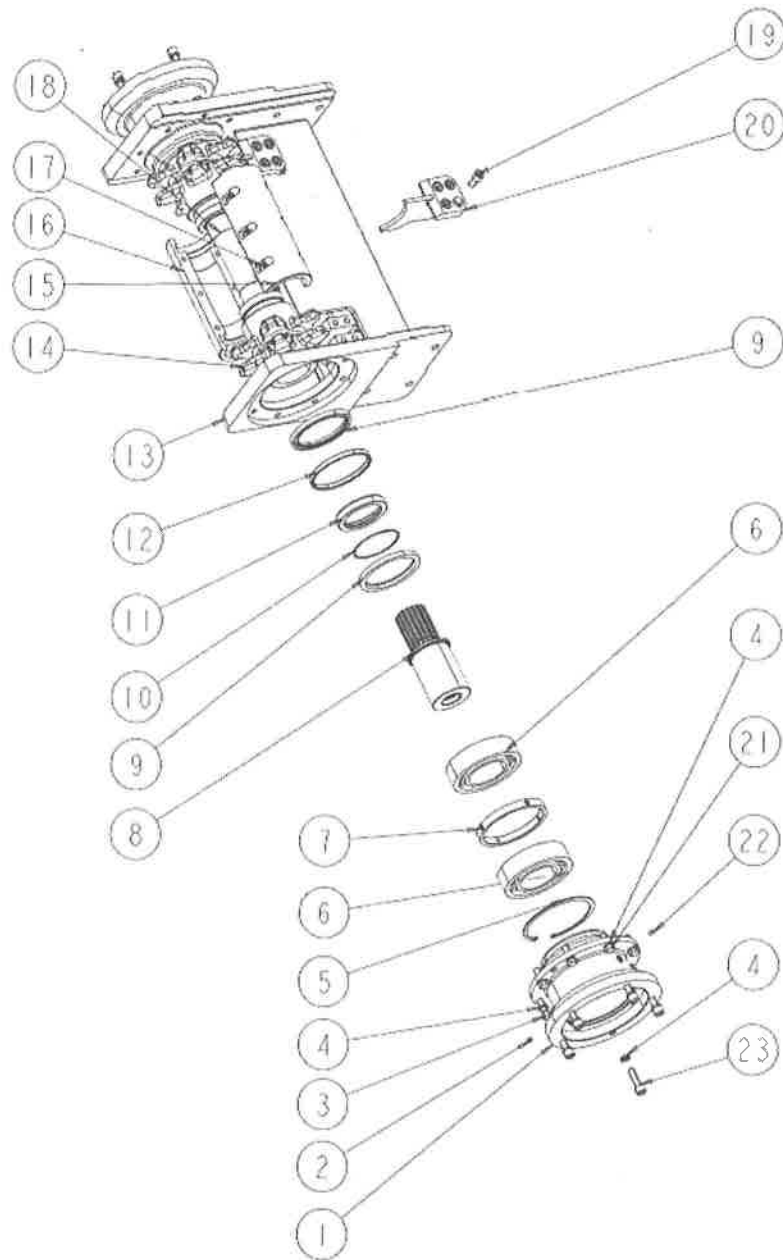
423300730 FIRST CONVEYOR 第一运输机

423300731 TRACK 涨紧装置 (选配/油缸涨紧)

序号 No.	零部件代号 Part No.	名称 Part name	数量 Q'ty	备注 Remark
1	423301723	支座 SUPPORT	1	
2	805600222	销 5×50 PIN 5×50	1	GB/T91-2000
3	423200198	销轴 SHAFT	1	
4	803274623	接头 CONNECTOR	1	
5	803076734	液压油缸 HYDRAULIC CYLINDER	1	
6	423200203	卡板 FASTENING PLATE	2	
7	423200202	卡板 FASTENING PLATE	2	
8	423200201	卡板 FASTENING PLATE	2	
9	423200200	卡板 FASTENING PLATE	4	
10	423204515	锁卡板 LOCKING PALLET	1	
11	805000727	螺栓 M10×25 BOLT M10×25	1	GB/T5783-2000
12	423200205	卡套 CUTTING FERRULE	1	
13	423301721	弹簧座 SPRING SEAT	1	
14	805000572	螺栓 M20×55 BOLT M20×55	1	GB/T5782-2000
15	805300023	垫圈 20 WASHER 20	1	GB/T93-1987
16	423200193	垫圈 WASHER	1	
17	801103297	毡圈 35 FELT COLLAR 35	1	JB/ZQ4606-1986
18	423300190	弹簧 SPRING	1	
19	803196647	O形圈 O-RING	1	GB/T3452.1-2005
20	423200195	隔套 SLEEVE	1	
21	423204516	安装板 MOUNTING PLATE	1	
22	805300030	垫圈 6 WASHER 6	2	GB/T93-1987
23	805000322	螺栓 M6×16 BOLT M6×16	2	GB/T5783-2000
24	423200197	垫圈 WASHER	1	

423300730 FIRST CONVEYOR 第一运输机

423300732 DRIVE DEVICE 驱动装置





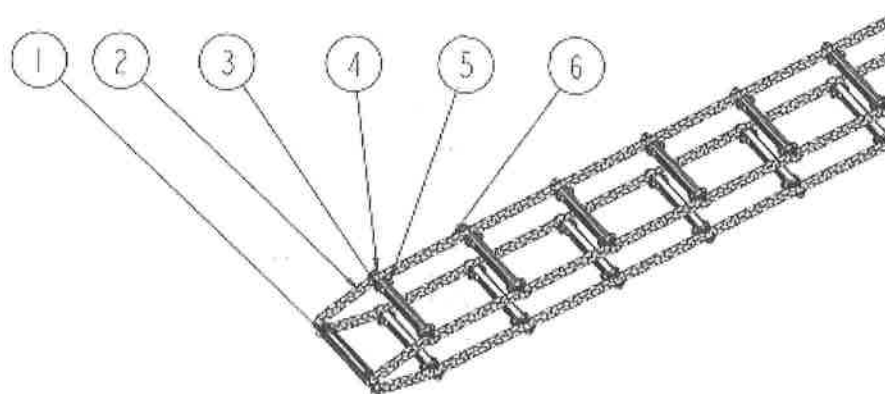
423300730 FIRST CONVEYOR 第一运输机

423300732 DRIVE DEVICE 驱动装置

序号 No.	零部件代号 Part No.	名称 Part name	数量 Q'ty	备注 Remark
1	423300198	马达座 MOTOR SEAT	2	
2	803374581	堵头 PLUG	2	
3	805006332	螺栓 M16×40 10.9(达克罗) BOLT M16×40.10.9	12	GB/T5783-2000
4	805338263	垫圈 16(达克罗) WASHER 16	26	GB/T93-1987
5	805400085	挡圈 180 HOLD WASHER 180	2	GB/T893.1-1986
6	800551677	进口轴承 IMPORT BEARING	4	
7	423300199	隔套 SLEEVE	2	
8	423300202	轴 I SHAFT I	2	
9	803377691	油封 130×160× 12 OIL SEAL 130×160×12	4	
10	803199971	O形圈 O-RING	2	GB/T3452.1-2005
11	423300200	轴套 SLEEVE	2	
12	423300201	隔套 SLEEVE	2	
13	423300197	驱动架 DRIVE FRAME	1	
14	423300203	链轮 CHAIN WHEEL	2	
15	423300204	上盖 COVER	1	
16	423300205	下盖 LOWER COVER	1	
17	805139870	螺钉 M12×35 10.9(达克罗) SCREW M12×35 10.9	6	GB/T70.1-2008
18	423300206	中轴 MIDDLE AXLE	1	
19	805100202	螺钉 M16×30 SCREW M16×30	8	GB/T70.1-2008
20	423300207	脱链器 OFF THE CHAIN DEVICE	2	
21	805000013	螺栓 M16×35 BOLT M16×35	4	GB/T5783-2000
22	801100336	油杯 M10×1 GREASE CUP	2	JB/T7940.1-1995
23	805139896	螺钉 M16×50 10.9(达克罗) SCREW M16×50 10.9	10	GB/T70.1-2008

423300730 FIRST CONVEYOR 第一运输机

423300208 LANYARDS VERSION 刮板链组件





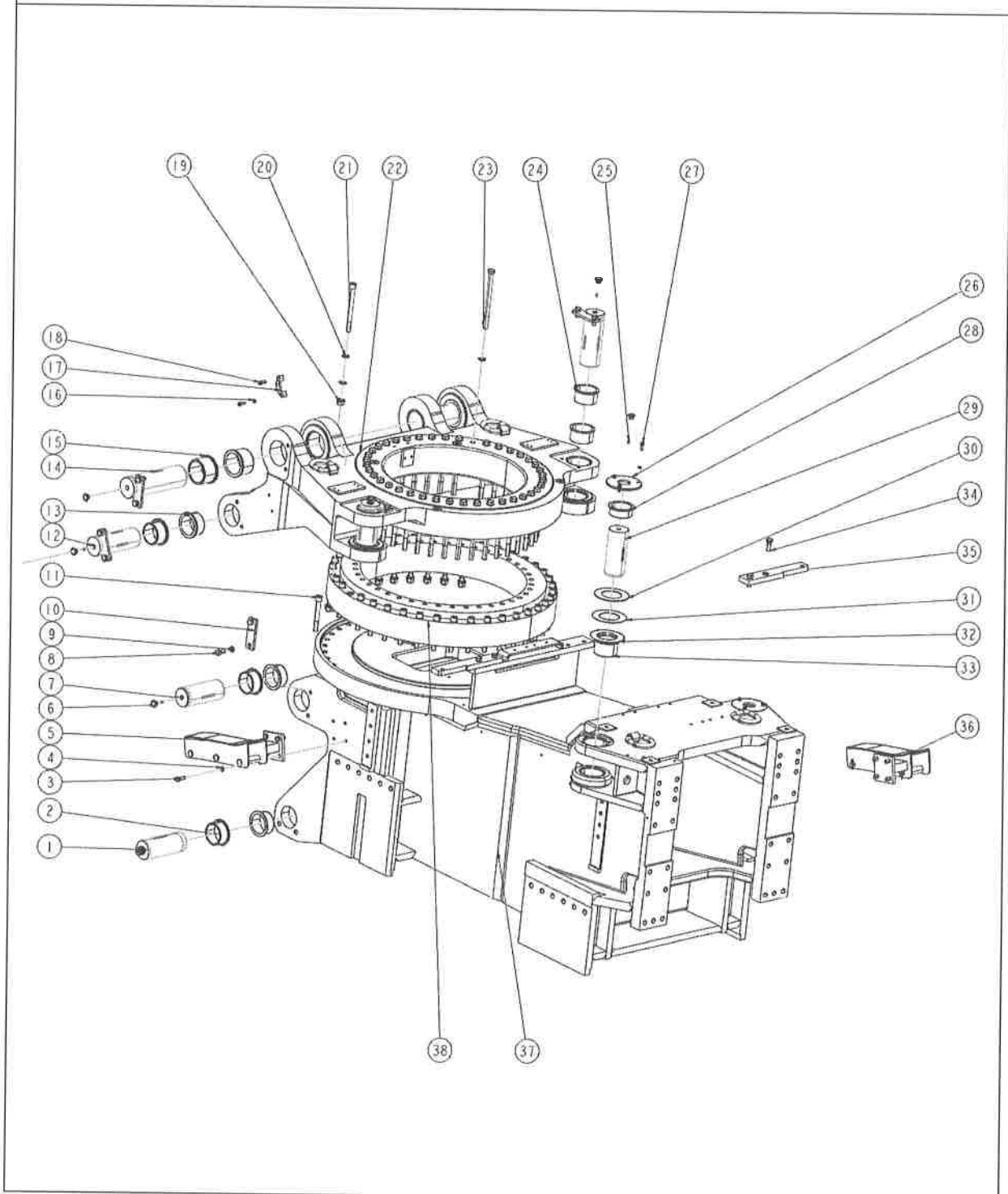
423300730 FIRST CONVEYOR 第一运输机

423300208 LANYARDS VERSION 刮板链组件

序号 No.	零部件代号 Part No.	名称 Part name	数量 Q'ty	备注 Remark
1	423300209	刮板 SCRAPER	32	
2	800352132	圆环链 18× 64-5-C CIRCLECHAIN 18×64-5-C	4	GB/T12718-2009
3	805046897	螺栓 M20×75 10.9(达克罗) BOLT M20×75 10.9	64	GB/T5782-2000
4	819949481	开口式连接环 CONNECTING RING	64	
5	805238637	M20×2.5-10 M20×2.5-10	64	
6	800352120	圆环链 18× 64-7-C CIRCLECHAIN 18×64-7-C	60	GB/T12718-2009

423300533 BOOM-TYPE ROADHEADER 悬臂式掘进机

423300804 BODY ASSEMBLY 本体总成

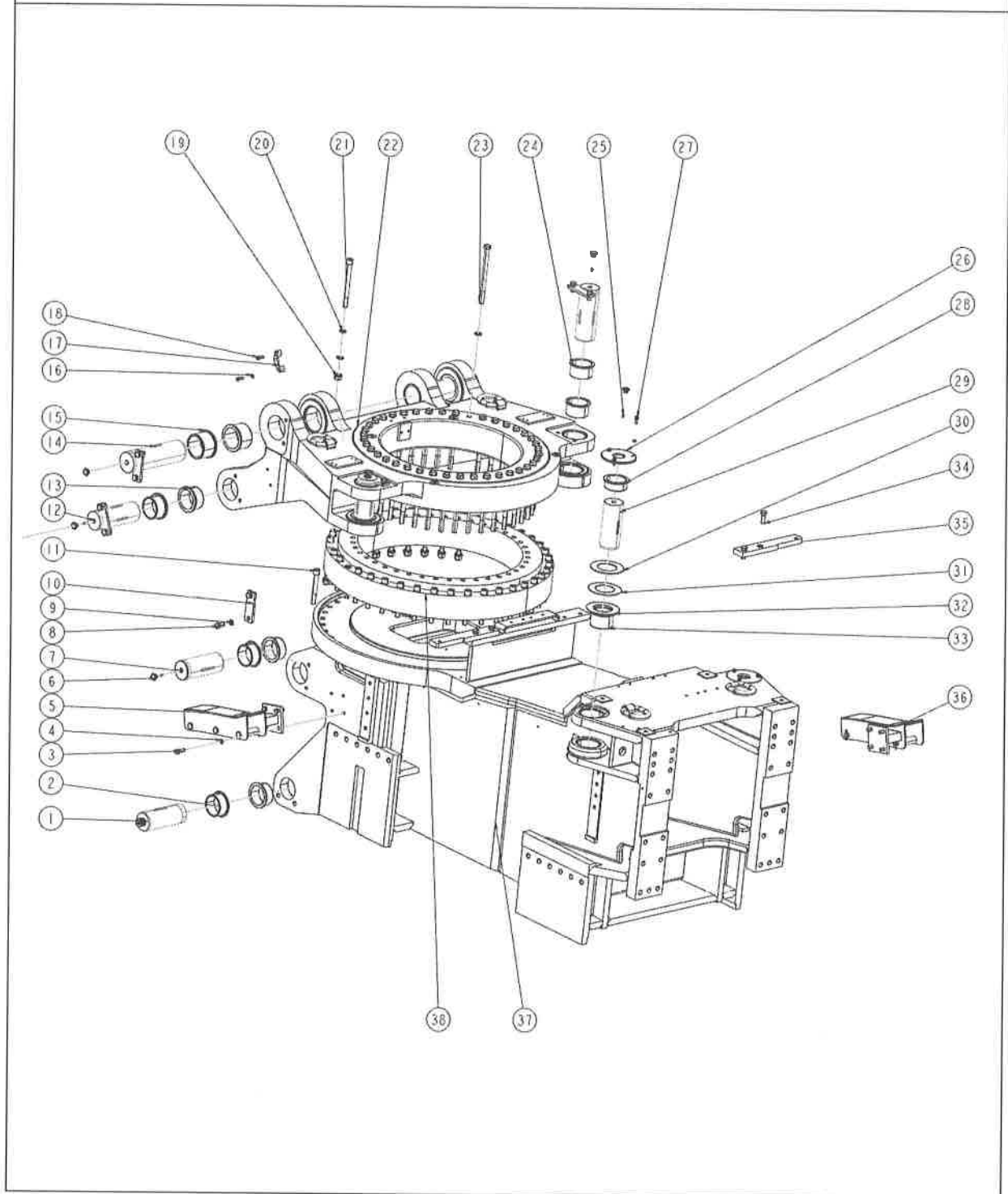



423300533 BOOM-TYPE ROADHEADER 悬臂式掘进机
423300804 BODY ASSEMBLY 本体总成

序号 No.	零部件代号 Part No.	名称 Part name	数量 Q'ty	备注 Remark
1	423300271	销轴IV AXIS PIN	2	
2	423300272	衬套V BUSH V	8	
3	805000026	螺栓 M16×45 BOLT M16×45	8	GB/T5783-2000
4	805300011	垫圈 16 WASHER 16	8	GB/T93-1987
5	423301709	左液压管架 LEFT SOFT TUBE SUPPORT	1	
6	423300285	螺堵 SCREW PLUG	10	
7	423300268	销轴III HINGE PIN	2	
8	805000281	螺栓 M20×40 BOLT M20×40	20	GB/T5783-2000
9	805300023	垫圈 20 WASHER 20	24	GB/T93-1987
10	423300132	挡板 RETAINER	10	
11	805140557	螺钉 M24×180 10.9 35CrMo(达 克罗) SCREW M24×180 10.9 35CRMO	27	GB/T70.1-2008
12	423300282	销轴 SHAFT	4	
13	423300283	衬套 BUSH	4	
14	423300265	销轴II HINGE PIN	2	
15	423300266	衬套III BUSH III	4	
16	805300018	垫圈 12 WASHER 12	10	GB/T93-1987
17	423300284	管夹 PIPE CLIP	2	
18	805100039	螺钉 M12×30 SCREWS	4	GB/T70.1-2008
19	805238699	凸缘螺母 NUT	13	
20	805338581	锁紧垫圈 LOCK WASHER	93	
21	805140560	螺钉 M24×260 10.9(达克罗) SCREW M24×260 10.9	13	GB/T70.1-2008
22	423301653	回转台 SLEWING TABLE	1	

423300533 BOOM-TYPE ROADHEADER 悬臂式掘进机

423300804 BODY ASSEMBLY 本体总成





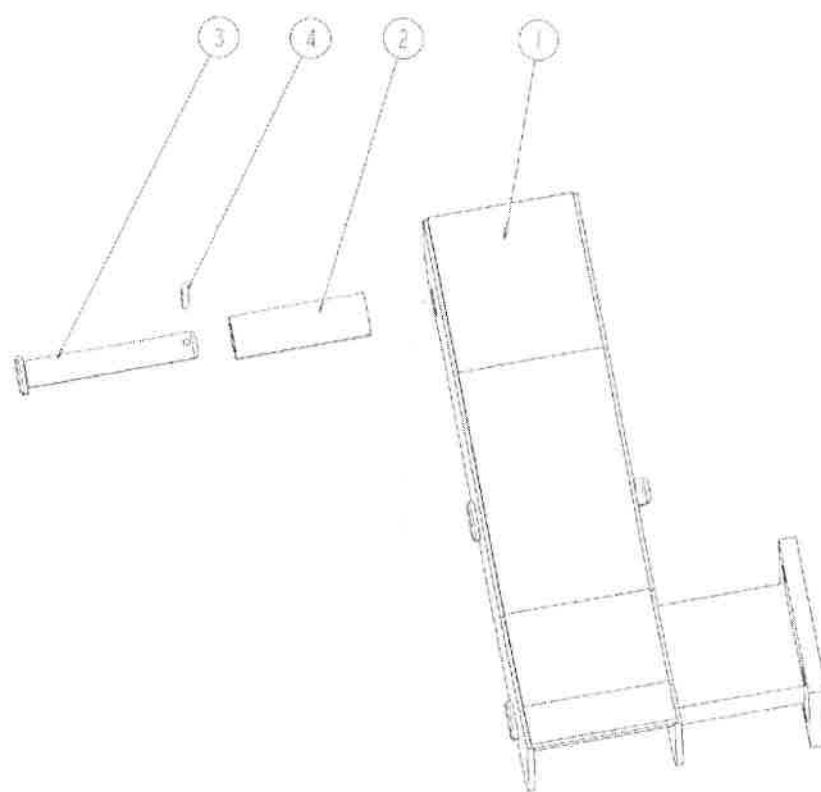
423300533 BOOM-TYPE ROADHEADER 悬臂式掘进机

423300804 BODY ASSEMBLY 本体总成

序号 No.	零部件代号 Part No.	名称 Part name	数量 Q'ty	备注 Remark
23	805046690	螺栓 M24×330 10.9(达克罗)	BOLT M24×330 10.9	40 GB/T5782-2000
24	423300269	衬套IV	BUSH IV	4
25	801100336	油杯 M10×1	GREASE CUP	10 JB/T7940.1-1995
26	423300289	圆盖板	ROUND COVER PLATE	2
27	805000716	螺栓 M12×30	BOLT M12×30	6 GB/T5783-2000
28	423300263	衬套 I	BUSH I	2
29	423300262	销轴 I	HINGE PIN	2
30	423300275	调整垫III	SHIM	2
31	423300274	调整垫 II	SHIM	2
32	423300273	调整垫 I	SHIM	2
33	423300264	衬套 II	BUSH II	2
34	805000378	螺栓 M20×55	BOLT M20×55	4 GB/T5783-2000
35	423301658	座板	PLATE	2
36	423301713	右液压管架	RIGHT SOFT TUBE SUPPORT	1
37	423300558	本体	BODY	1
38	800553650	回转支承	SLEWING BEARING	1

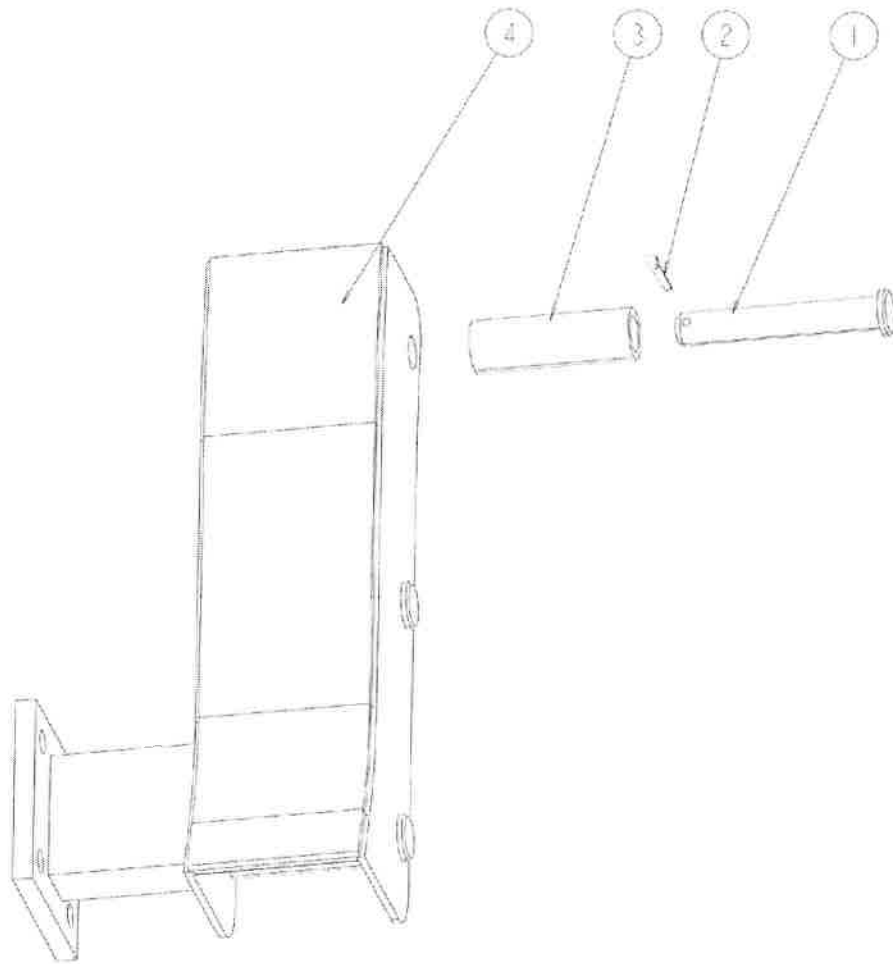
423300804 BODY ASSEMBLY 本体总成

423301709 LEFT SOFT TUBE SUPPORT 左液压管架



423300804 BODY ASSEMBLY 本体总成

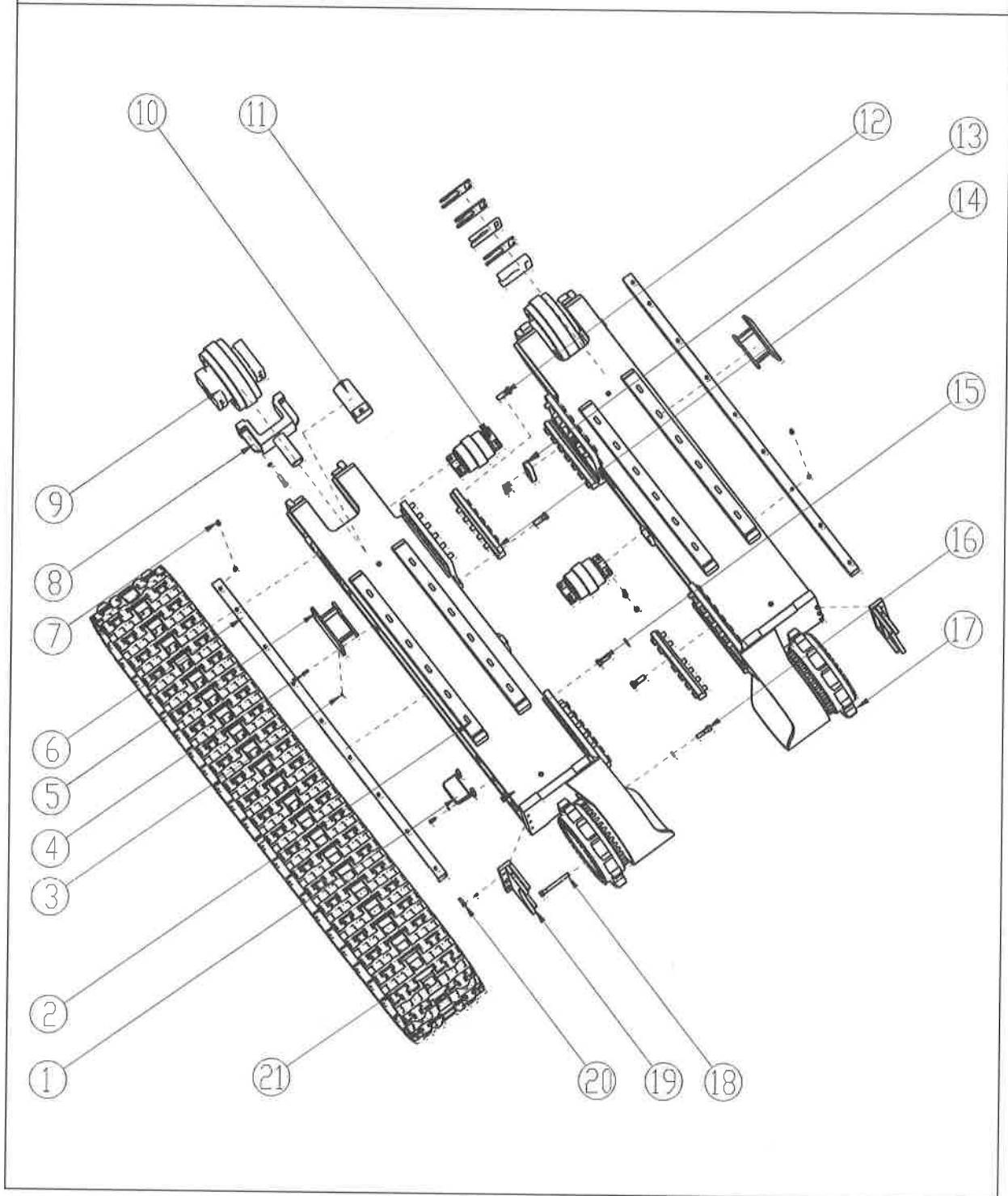
423301713 RIGHT SOFT TUBE SUPPORT 右液压管架



1

423300533 BOOM-TYPE ROADHEADER 悬臂式掘进机

423300805 TRAVEL MECHANISM 行走机构





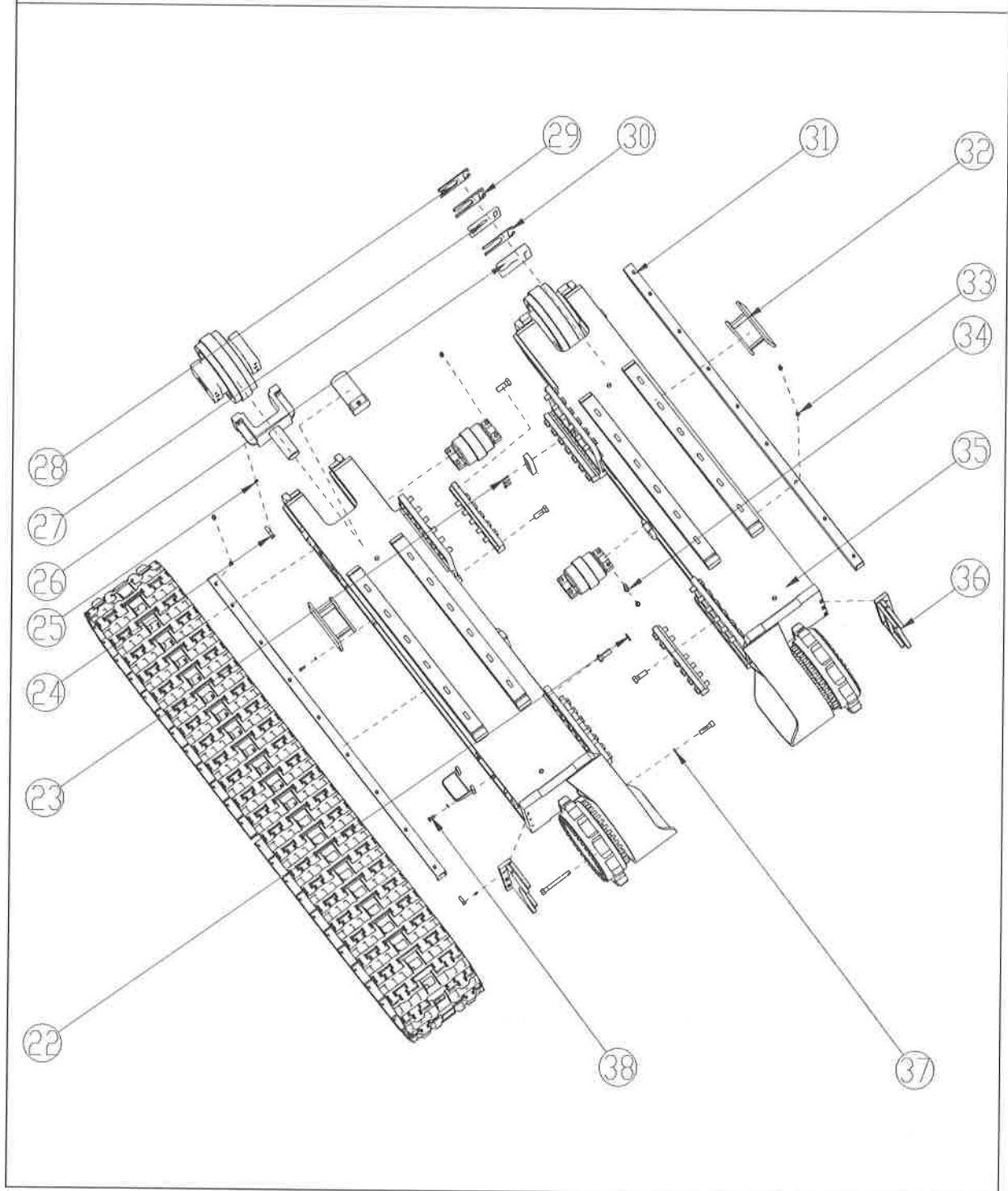
423300533 BOOM-TYPE ROADHEADER 悬臂式掘进机

423300805 TRAVEL MECHANISM 行走机构

序号 No.	零部件代号 Part No.	名称 Part name	数量 Q'ty	备注 Remark
1	423300622	履带链 TRACK ASSEMBLY	2	
2	423302764	左行走履带架 LEFT CRAWLER TRACK	1	
3	423302831	油缸窗 COVER PLATE	1	
4	423302765	护板 A PROTECT BOARD A	1	
5	805300018	垫圈 12 WASHER 12	8	GB/T93-1987
6	805100039	螺钉 M12×30 SCREWS	8	GB/T70.1-2008
7	805000051	螺栓 M16×40 BOLT M16×40	18	GB/T5783-2000
8	423300339	涨紧轮托架 TENSIONER BRACKET	2	
9	423300621	涨紧轮组 IDLER ROLLER	2	
10	423301181	涨紧油缸 WHEN TIGHT OIL CYLINDER	2	
11	423200357	支重轮 LOWER ROLLER	16	
12	805047658	螺栓 M30×85 10.9(达克罗) BOLT M30×85 10.9	28	GB/T5782-2000
13	423300340	压板 CLAMP	4	
14	423300348	键板 KEY	2	
15	805047645	螺栓 M30×80 10.9(达克罗) BOLT M30×80 10.9	24	GB/T32.1-1988
16	805139905	螺钉 M24×90 10.9(达克罗) SCREW M24×90 10.9	48	GB/T70.1-2008
17	423300648	驱动轮 DRIVING WHEEL	2	
18	805006289	螺栓 M16×35 10.9(达克罗) BOLT M16×35 10.9	6	GB/T5783-2000
19	805051291	螺栓 M18×1.5× 205 10.9 35CrMo(达克罗) BOLT M18×1.5×205 10.9 35CRMO	72	GB/T5785-2000
20	423302769	左后挡板 BAFFLE	1	
21	423200349	脚踏板 PEDAL	1	
22	805138300	螺钉 M10×50 SCREW M10×50	6	GB/T68-2000

423300533 BOOM-TYPE ROADHEADER 悬臂式掘进机

423300805 TRAVEL MECHANISM 行走机构





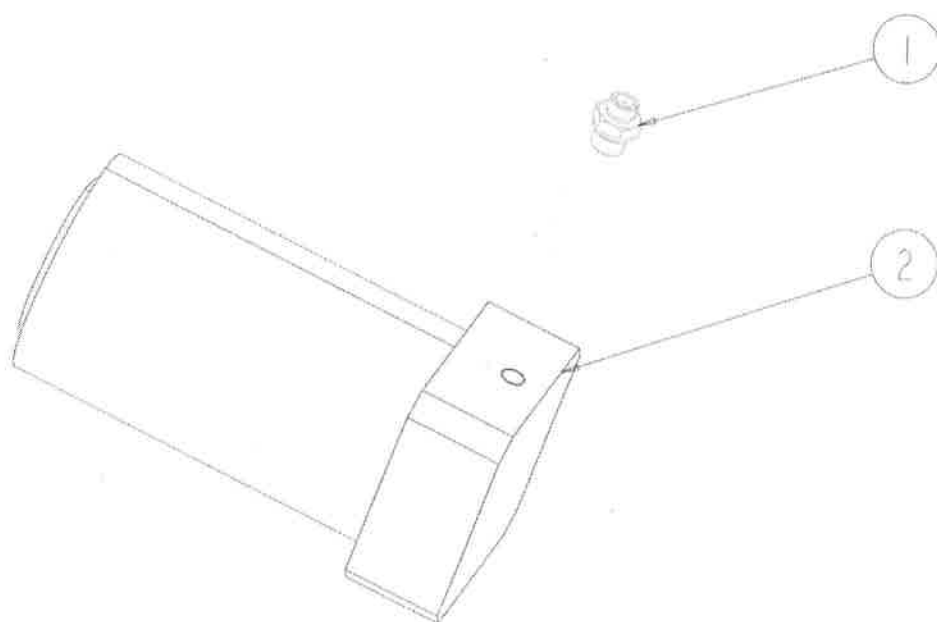
423300533 BOOM-TYPE ROADHEADER 悬臂式掘进机

423300805 TRAVEL MECHANISM 行走机构

序号 No.	零部件代号 Part No.	名称 Part name	数量 Q'ty	备注 Remark
23	805300118	垫圈 30 WASHER 30	24	GB/T97.1-2002
24	805300023	垫圈 20 WASHER 20	72	GB/T93-1987
25	805046897	螺栓 M20 × 75 10.9(达克罗) BOLT M20×75 10.9	8	GB/T5782-2000
26	423300334	卡板 I CHUCK I	4	
27	423302815	卡板 V FASTENING PLATE V	2	
28	423300335	卡板 II CHUCK II	4	
29	423300338	卡板 IV CHUCK IV	3	
30	423300336	卡板 III CHUCK III	4	
31	423302766	护板 B PROTECT BOARD B	1	
32	423302832	油缸窗 COVER PLATE	1	
33	805000588	螺栓 M20 × 85 BOLT M20×85	64	GB/T5782-2000
34	805300011	垫圈 16 WASHER 16	30	GB/T93-1987
35	423302767	右行走履带架 RIGHT WALKING CRAWLER FRAME	1	
36	423302768	右后挡板 BAFFLE	1	
37	805338581	锁紧垫圈 LOCK WASHER	48	
38	805000013	螺栓 M16 × 35 BOLT M16×35	6	GB/T5783-2000

423300805 TRAVEL MECHANISM 行走机构

423301181 WHEN TIGHT OIL CYLINDER 涨紧油缸





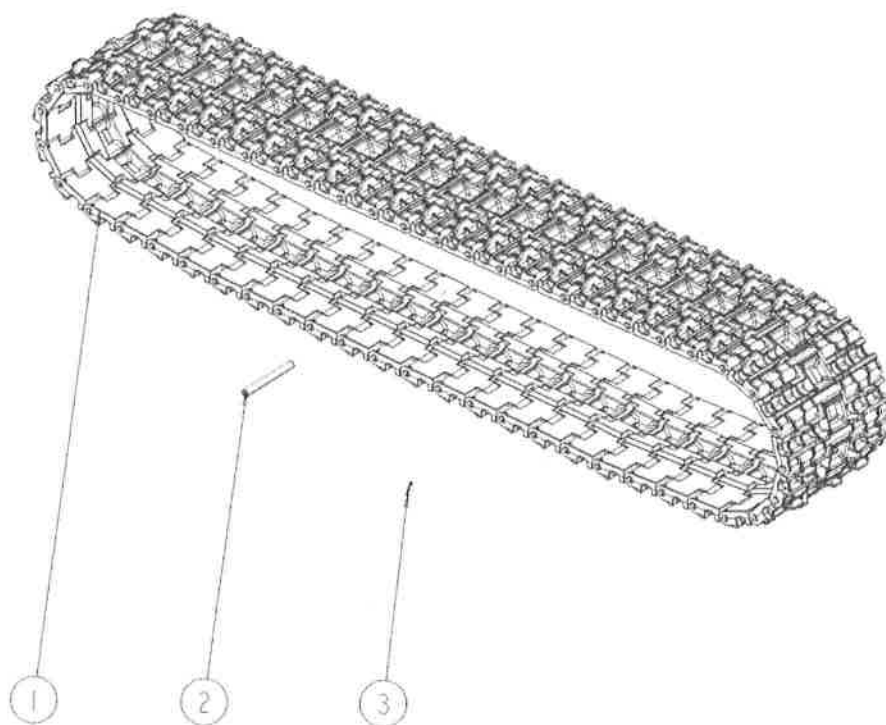
423300805 TRAVEL MECHANISM 行走机构

423301181 WHEN TIGHT OIL CYLINDER 涨紧油缸

序号 No.	零部件代号 Part No.	名称 Part name	数量 Q'ty	备注 Remark
1	803103529	接头 CONNECTOR	1	
2	803076680	履带涨紧油缸 TRACK TENSION CYLINDER	1	

423300805 TRAVEL MECHANISM 行走机构

423300622 TRACK ASSEMBLY 履带链





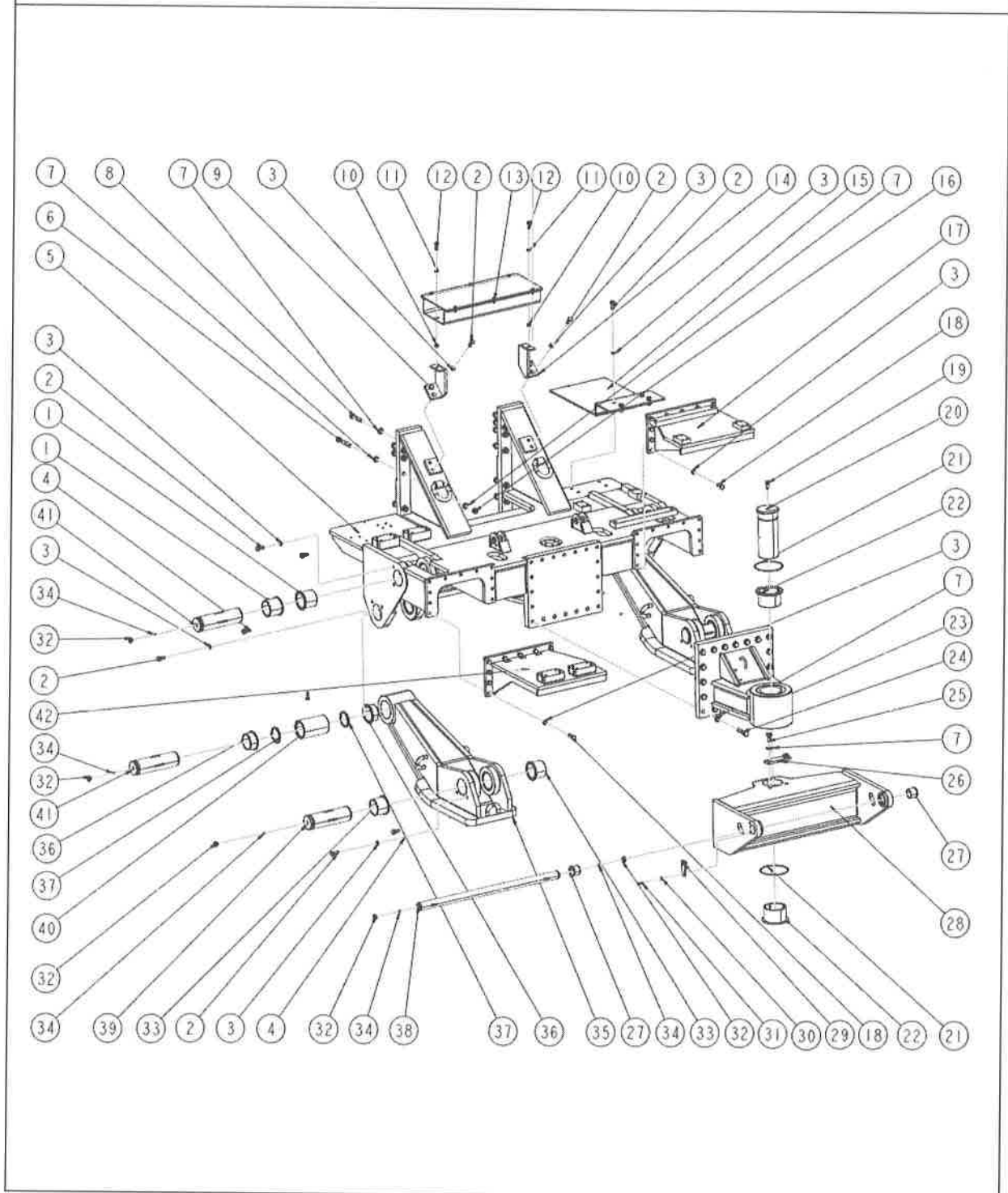
423300805 TRAVEL MECHANISM 行走机构

423300622 TRACK ASSEMBLY 履带链

序号 No.	零部件代号 Part No.	名称 Part name	数量 Q'ty	备注 Remark
1	423300623	履带板 TRACK SHOE	51	
2	423300624	履带销 TRACK PIN	102	
3	805639286	销 10×60 PIN 10×60	102	GB/T879.3-2000

423300533 BOOM-TYPE ROADHEADER 悬臂式掘进机

423300808 BACK SUPPORTING SEAT 后支承





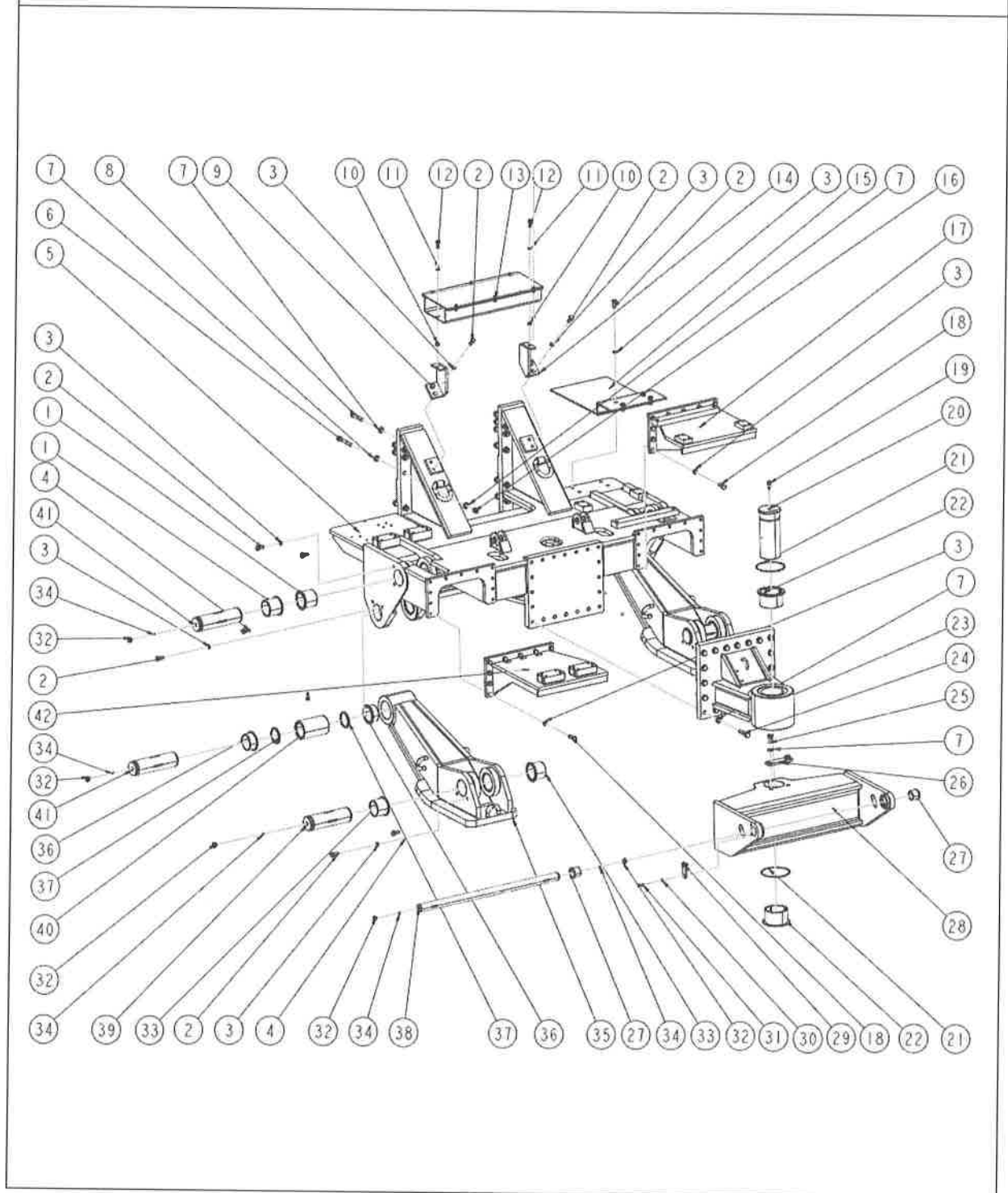
423300533 BOOM-TYPE ROADHEADER 悬臂式掘进机

423300808 BACK SUPPORTING SEAT 后支承

序号 No.	零部件代号 Part No.	名称 Part name	数量 Q'ty	备注 Remark
1	423300393	衬套 BUSH	4	
2	805000144	螺栓 M20×45 BOLT M20×45	20	GB/T5783-2000
3	805338321	垫圈 20(达克罗) WASHER 20	42	GB/T93-1987
5	423300649	前横梁 FRONT BEAM	1	
6	805004838	螺栓 M24 × 160(达克罗) BOLT M24×160	20	GB/T5782-2000
7	805338291	垫圈 24(达克罗) WASHER 24	72	GB/T97.1-2002
8	805006426	螺栓 M24 × 120 10.9(达克罗) BOLT M24×120 10.9	10	GB/T5782-2000
9	423300374	运输机导板 I PLATE II	1	
10	805200051	螺母 M16 NUT M16	2	GB/T6170-2000
11	805300011	垫圈 16 WASHER 16	12	GB/T93-1987
12	805000528	螺栓 M16×40 BOLT M16×40	10	GB/T5782-2000
13	423300743	过线槽 OVER TRUNKING	1	
14	423300375	运输导板 II PLATE I	1	
15	423300652	垫板 BASEPLATE	1	
16	805203192	螺母 M24 10(达克罗) NUT M24 10	20	GB/T6170-2000
17	423300651	托座 II BRACKET II	1	
18	805006286	螺栓 M20 × 55 10.9(达克罗) BOLT M20×55 10.9	22	GB/T5783-2000
19	423300387	销子注油接头 FITTING	1	
20	423300388	销轴 SHAFT	1	
21	803195889	O形圈 O-RING	2	GB/T3452.1-2005
22	423300386	衬套 BUSH	2	
23	423300380	联接架 BRACKET OF COUPLING	1	

423300533 BOOM-TYPE ROADHEADER 悬臂式掘进机

423300808 BACK SUPPORTING SEAT 后支承





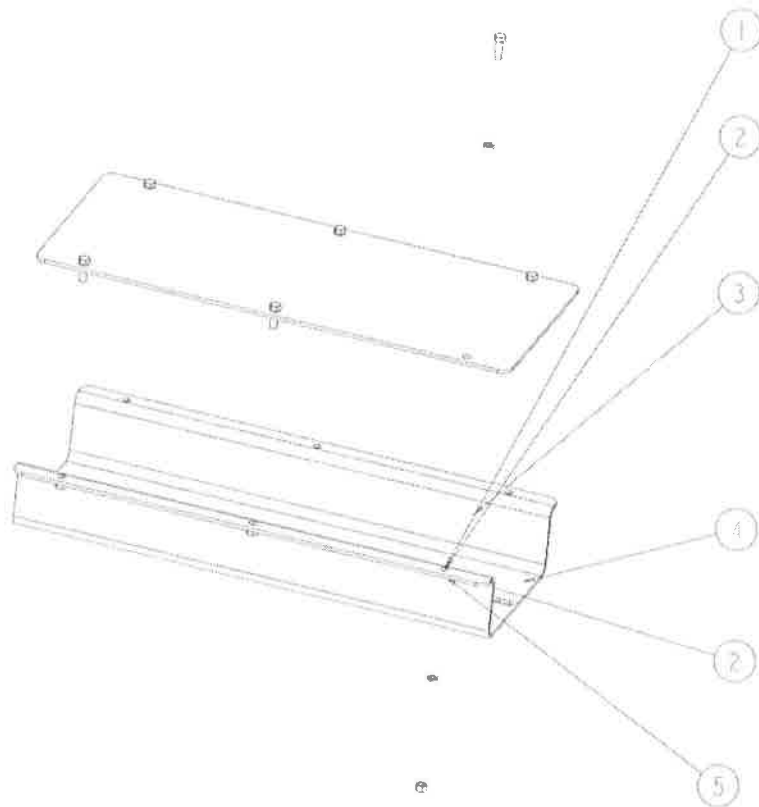
423300533 BOOM-TYPE ROADHEADER 悬臂式掘进机

423300808 BACK SUPPORTING SEAT 后支承

序号 No.	零部件代号 Part No.	名称 Part name	数量 Q'ty	备注 Remark
24	805005958	螺栓 M24 × 100 10.9(达克罗)	BOLT M24×100 10.9	20 GB/T5782-2000
25	805047663	螺栓 M24 × 45(达克罗)	BOLT M24×45	2 GB/T5783-2000
26	423300389	挡板	RETAINER	1
27	423300390	衬套	BUSH	2
28	423300382	二运回转台	SLEWING TABLE	1
29	423300156	挡板	RETAINER	1
30	805300018	垫圈 12	WASHER 12	2 GB/T93-1987
31	805001929	螺栓 M12×35	BOLT M12×35	2 GB/T5782-2000
32	423300285	螺堵	SCREW PLUG	8
33	423300377	衬套	BUSH	4
34	801100336	油杯 M10×1	GREASE CUP	10 JB/T7940.1-1995
35	423200387	支承器	SUPPORTER	2
36	423300383	衬套	BUSH	4
37	803377784	防尘圈	DUSTPROOF WASHER	4
38	423300391	第二运输机连接 销	PIN	1
39	423302521	销轴	SHAFT	2
40	423200390	衬套	BUSH	2
41	423300385	销轴	SHAFT	4
42	423300650	托座 I	BRACKET I	1

423300808 BACK SUPPORTING SEAT 后支承

423300743 OVER TRUNKING 过线槽





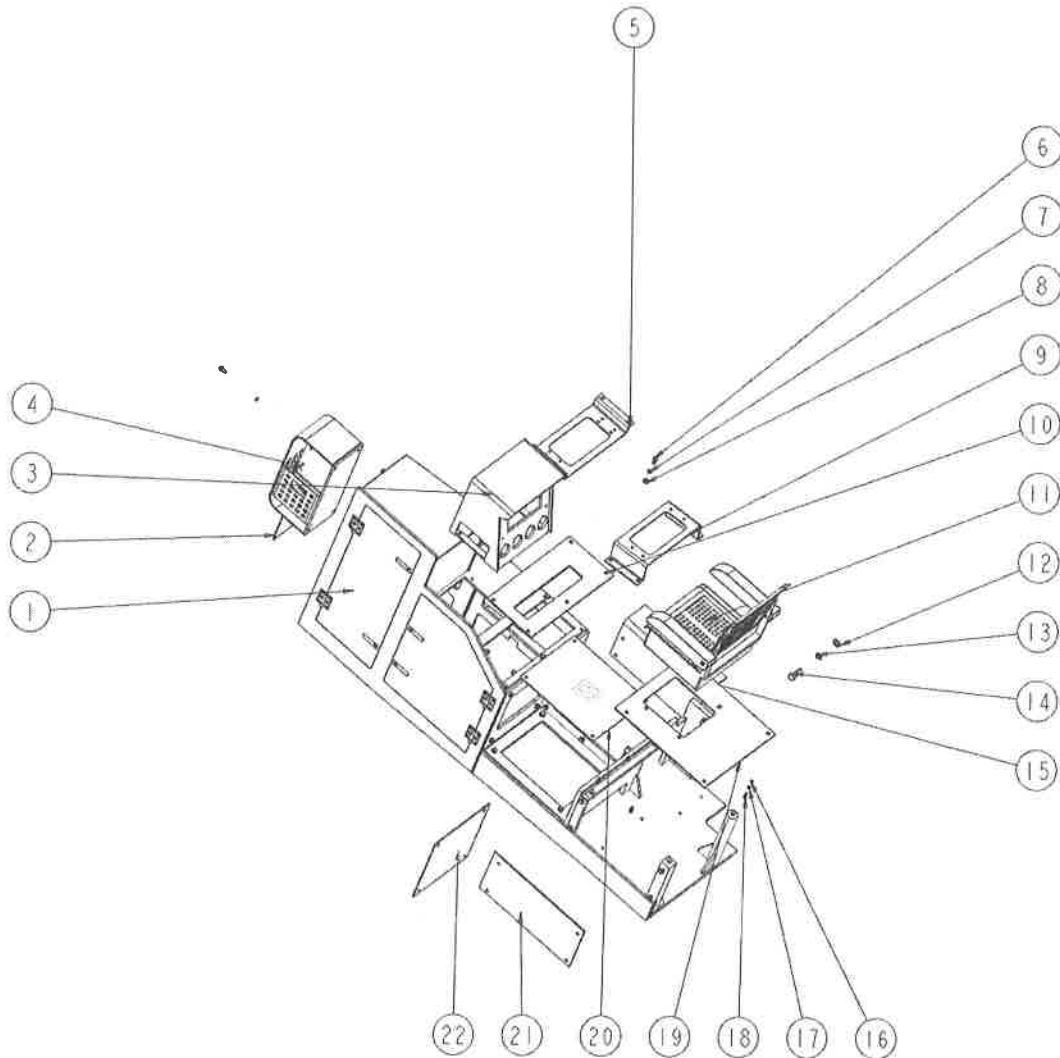
423300808 BACK SUPPORTING SEAT 后支承

423300743 OVER TRUNKING 过线槽

序号 No.	零部件代号 Part No.	名称 Part name		数量 Q'ty	备注 Remark
1	805000048	螺栓 M12×35	BOLT M12×35	6	GB/T5783-2000
2	805300018	垫圈 12	WASHER 12	12	GB/T93-1987
3	423300394	盖板	COVER PLATE	1	
4	423300395	槽体	LINE SLOT	1	
5	805200049	螺母 M12	NUT M12	6	GB/T6170-2000

423300533 BOOM-TYPE ROADHEADER 悬臂式掘进机

423300809 CONSOLE 操纵台





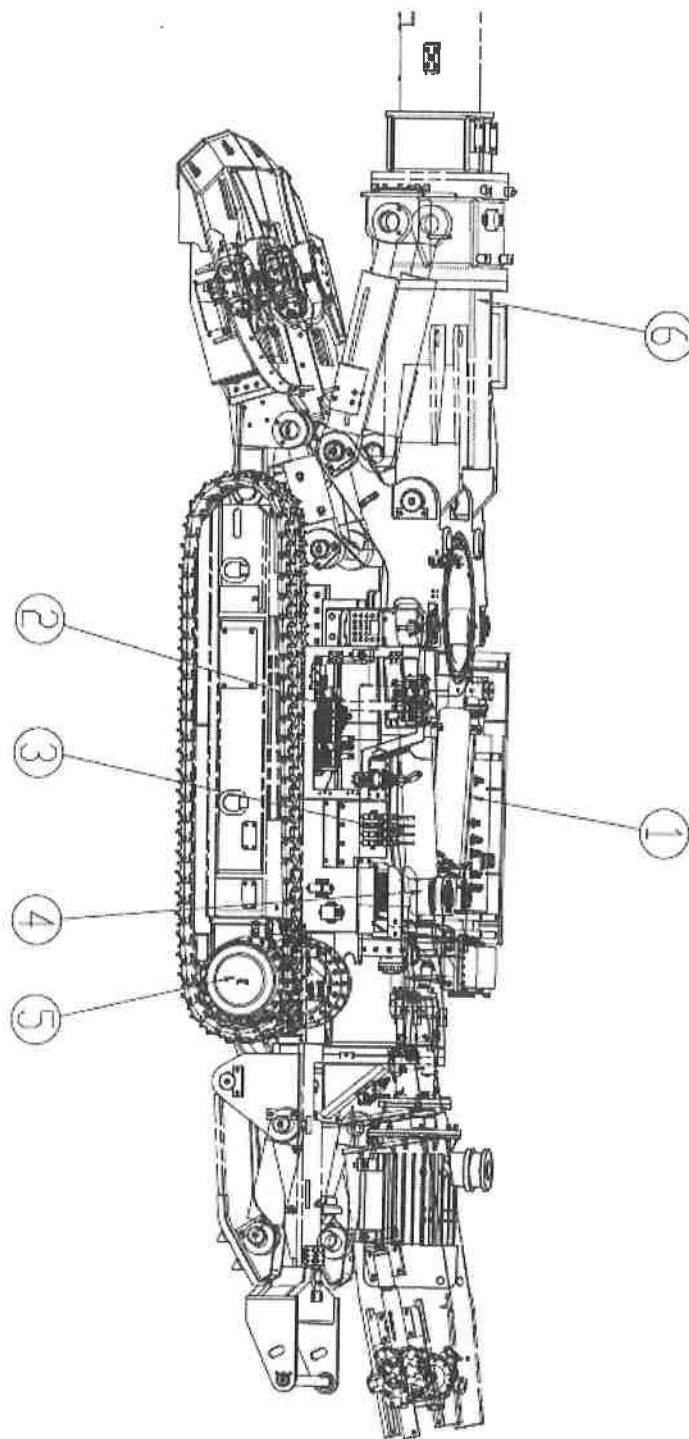
423300533 BOOM-TYPE ROADHEADER 悬臂式掘进机

423300809 CONSOLE 操纵台

序号 No.	零部件代号 Part No.	名称 Part name	数量 Q'ty	备注 Remark
1	423302511	操作台骨架 OPERATING TABLE SKELETON	1	
2	423302448	前挡板 BEFORE THE BAFFLE	1	
3	423300398	面板箱 BOX	1	
4	423300802	瓦斯报警盒 GAS ALARM BOX	1	
5	423300654	阀块支架 I VALVE BLOCK BRACKET I	1	
6	805000715	螺栓 M12×25 BOLT M12×25	42	GB/T5783-2000
7	805300018	垫圈 12 WASHER 12	16	GB/T93-1987
8	805300020	垫圈 12 WASHER 12	26	GB/T97.1-2002
9	423300399	阀安装架 I BOARD I	1	
10	423300403	安装板 MOUNTING PLATE	1	
11	801969626	座椅 SEAT	1	
12	805302848	垫圈 20 WASHER 20	8	GB/T95-2002
13	805300023	垫圈 20 WASHER 20	8	GB/T93-1987
14	805047623	螺栓 M20×55(达 克罗) BOLT M20×55	8	GB/T5782-2000
15	423300400	手柄安装架 HANDLE CONNECTOR	1	
16	805300010	垫圈 8 WASHER 8	4	GB/T93-1987
17	805200045	螺母 M8 NUT M8	4	GB/T6170-2000
18	805000017	螺栓 M8×25 BOLT M8×25	4	GB/T5783-2000
19	423300404	座椅连接板 CHAIR CONNECTING PLATE	1	
20	423300402	脚踏板 PEDAL	1	
21	423300401	座椅前面板 FRONT PANEL OF SEAT	1	
22	423302447	后挡板 REAR COVER BOARD	1	

423300533 BOOM-TYPE ROADHEADER 悬臂式掘进机

423300810 HYDRAULIC SYSTEM 液压系统

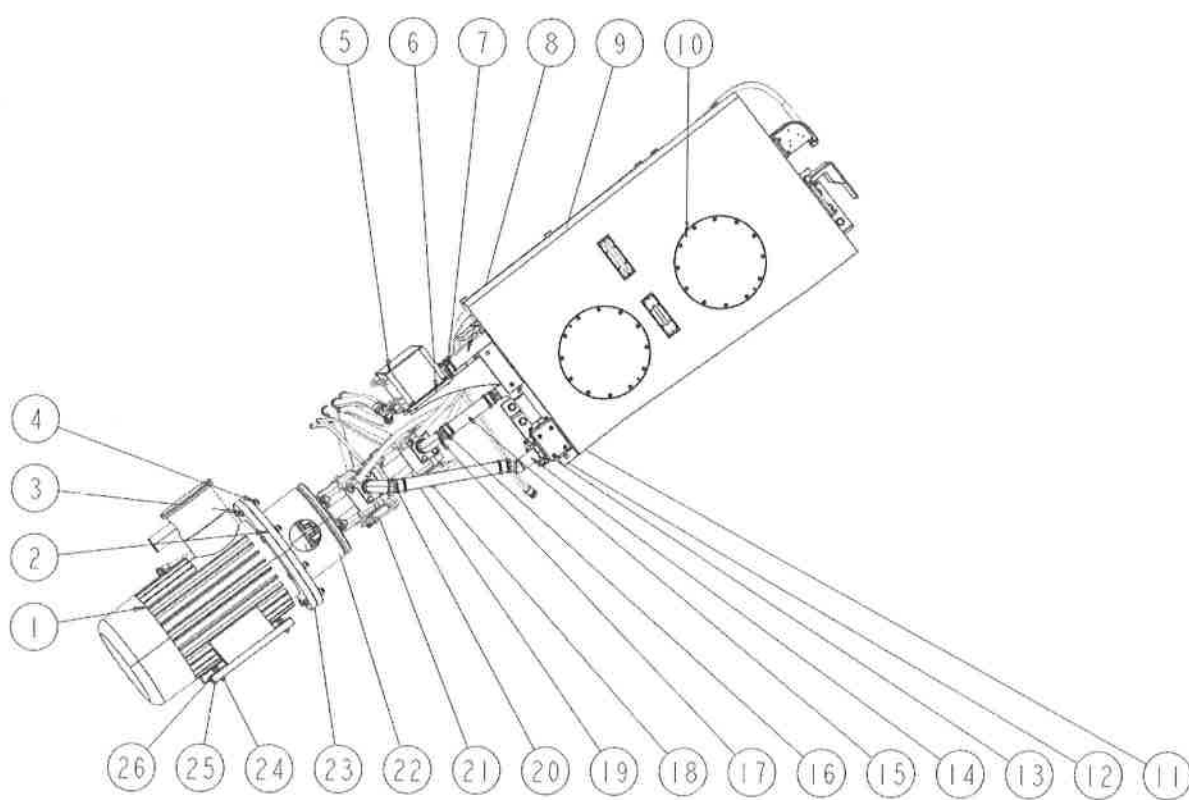




423300533 BOOM-TYPE ROADHEADER 悬臂式掘进机					
423300810 HYDRAULIC SYSTEM 液压系统					
序号 No.	零部件代号 Part No.	名称 Part name	数量 Q'ty	备注 Remark	
1	423302753	液压泵站	HYDRAULIC POWER UNIT	1	
2	423302754	操作台布置	OPERATION CONSOLE ARRANGEMENT PLAN	1	
3	423300756	操作手柄布置	OPERATION CONSOLE PILOT ARRANGEMENT PLAN	1	
4	423302757	上车布置	MAIN FRAME ARRANGEMENT OF THE PIPE	1	
5	423300813	下车布置	TRAVEL MECHANISM ARRANGEMENT OF THE PIPE	1	
6	423103992	伸缩油缸 液压布管	TELESCOPIC CYLINDER HYDRAULIC ARRANGEMENT OF THE PIPE	1	标配/伸缩
7		泵站布管	PUMP STATION PIPE DISTRIBUTION	1	
8		五联阀布管	FIVE-LINK VALE PIPE DISTRIBUTION	1	
9		六联阀布管	FOUR-LINK VALVE PIPE DISTRIBUTION	1	
10		先导布管	PILOT PIPE DISTRIBUTION	1	

423300810 HYDRAULIC SYSTEM 液压系统

423300811 HYDRAULIC POWER UNIT 液压泵站





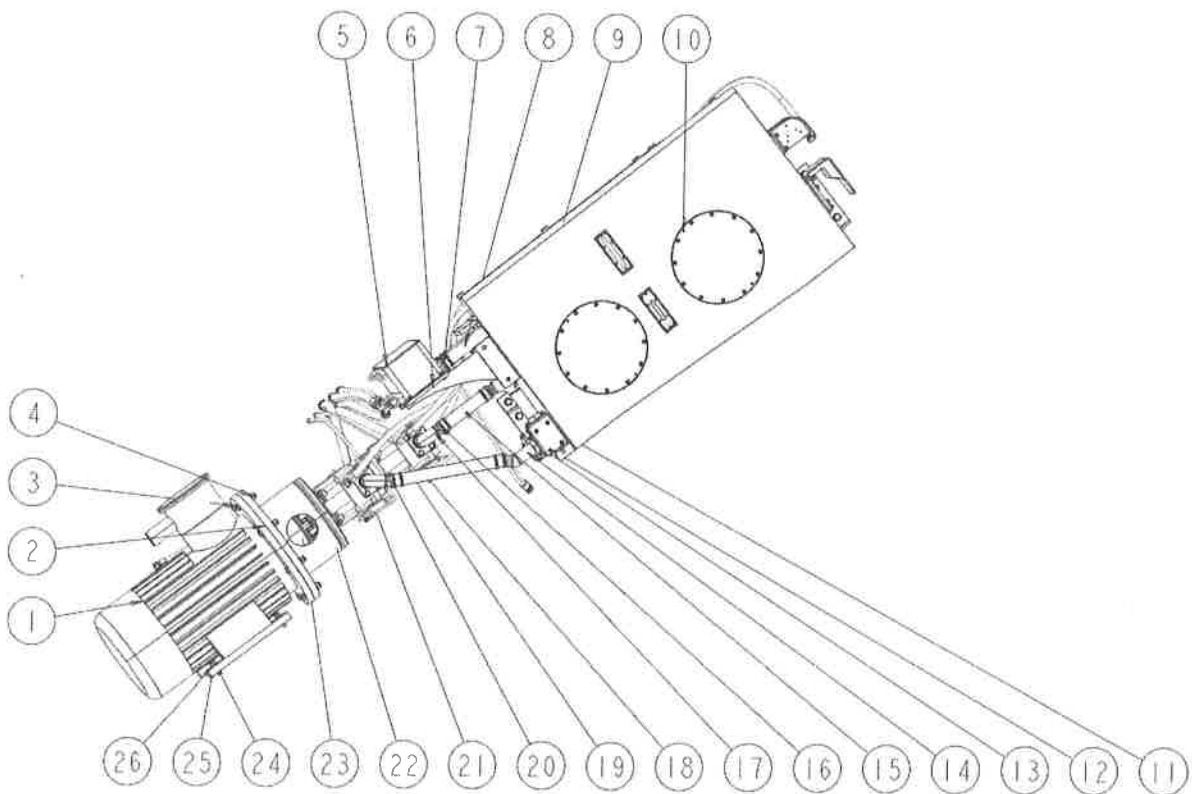
423300810 HYDRAULIC SYSTEM 液压系统

423300811 HYDRAULIC POWER UNIT 液压泵站

序号 No.	零部件代号 Part No.	名称 Part name	数量 Q'ty	备注 Remark
1	803544778	油泵电机 PUMP ELECTROMOTOR	1	
2	423300657	联接法兰 THE CONNECTING FLANGE	1	
3	805005957	螺栓 M20× 100(达克罗) BOLT M20×100	8	GB/T5782-2000
4	805200052	螺母 M20 NUT M20	8	GB/T6170-2000
5	423104690	冷却器回油块 COOLER RETURN OIL BLOCK	1	
6	423300409	冷却器支架 COOLER BRACKET	1	
7	801969566	T型抱箍 φ 64(+2.5mm-6mm) T-HOOP φ64	8	
8	801969389	胶管 51 II 1D-1610 HOSE 51 II 1D-1610	2	GB/T9569
9	423300658	吸油管 I GRIPDUCT I	1	
10	423300812	油箱总成 HYDRAULIC OIL TANK	1	
11	803150698	O形圈 100×3.55 O-RING 100×3.55	1	GB/T3452.1-2005
12	423300421	过滤器连接块 FILTER CONNECT BLOCK	1	
13	803192098	O形圈 60×3.55 O-RING 60×3.55	2	GB/T3452.1-2005
14	423300659	吸油管 II GRIPDUCT II	1	
15	801971030	胶管 51 II 1D-325 HOSE 51 II 1D-325	1	GB/T9569
16	801900254	T型抱箍 φ 70 T-HOOP φ70	8	
17	423300423	泵吸油管 I PUMP OIL SUCTION PIPE I	1	
18	803387033	过滤器 FILTER SERIES	2	
19	803076681	组合变量泵 VARIABLE DOUBLE-PLUNGER PUMP	1	力士乐(选配)
19	803099306	组合变量泵 VARIABLE DOUBLE-PLUNGER PUMP	1	丹佛斯(标配)
20	801971031	胶管 51 II 1D-600 HOSE 51 II 1D-600	1	GB/T9569
21	423300660	泵吸油管 II PUMP OIL SUCTION PIPE II	1	

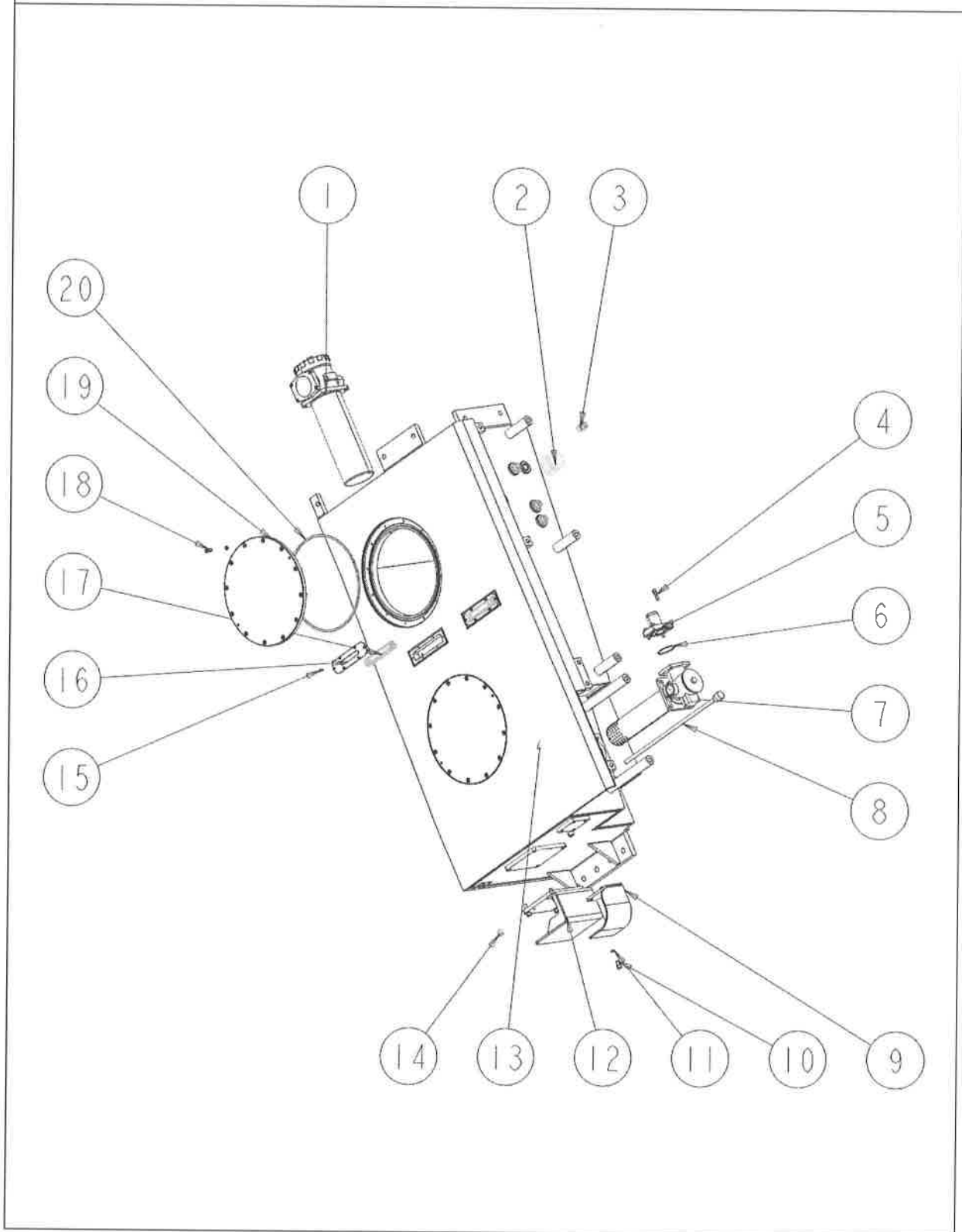
423300810 HYDRAULIC SYSTEM 液压系统

423300811 HYDRAULIC POWER UNIT 液压泵站



423300811 HYDRAULIC POWER UNIT 液压泵站

423300812 HYDRAULIC OIL TANK 油箱总成



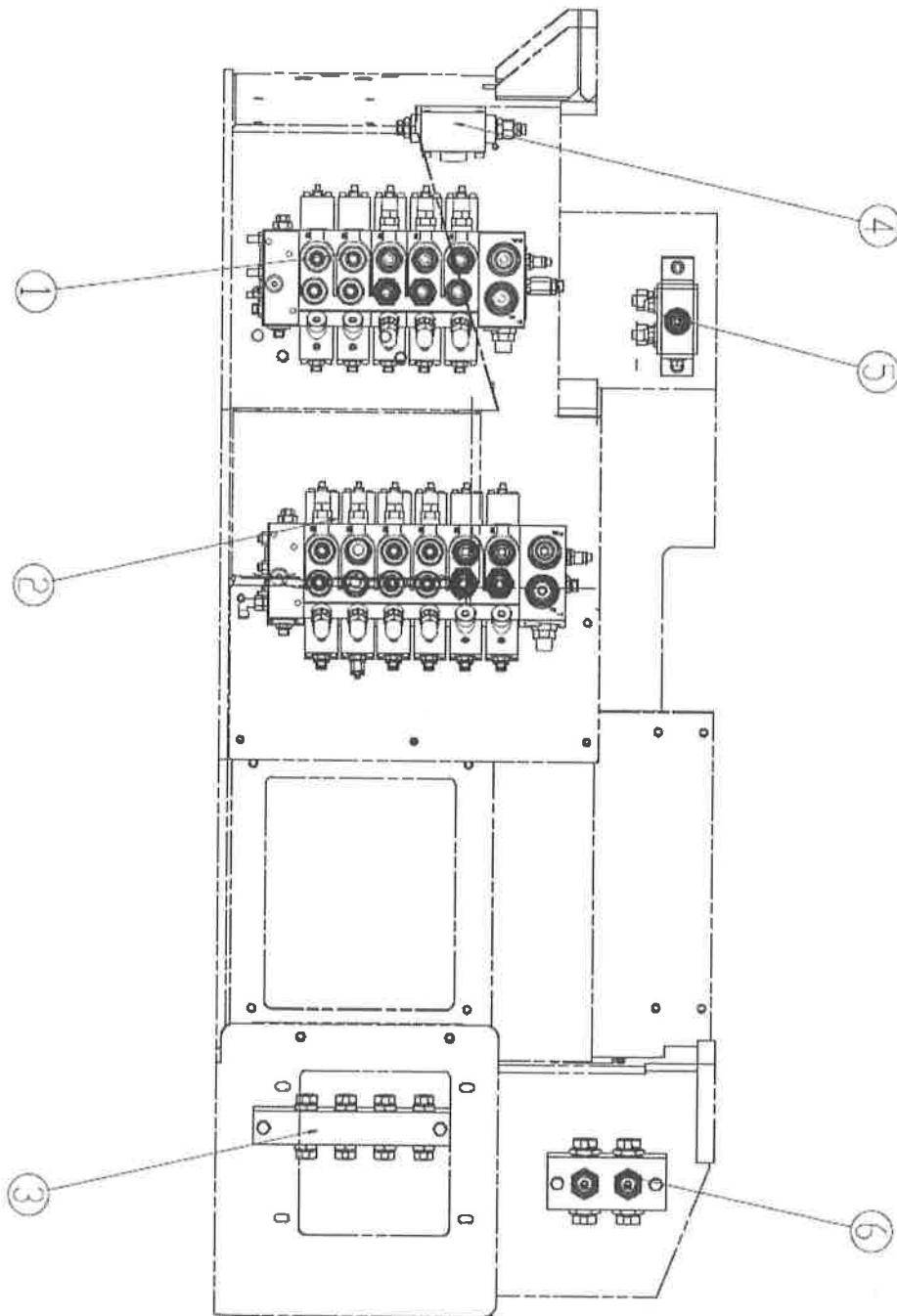
423300811 HYDRAULIC POWER UNIT 液压泵站

423300812 HYDRAULIC OIL TANK 油箱总成

序号 No.	零部件代号 Part No.	名称 Part name	数量 Q'ty	备注 Remark
1	803417381	吸油过滤器(铸铁) FILTER	1	
2	803374274	空滤器 AIR FILTER	1	
3	803104915	接头 CONNECTOR	6	
4	805100100	螺钉 M10×35 SCREW M10×35	8	GB/T70.1-2008
5	423105046	回油法兰总成 OIL RETURN FLANGE ASSEMBLY	2	
6	801102878	O形圈 73×3.55 O-RING 73×3.55	2	GB/T3452.1-2005
7	803377657	回油过滤器 FILTER	2	
8	819949405	棒式磁性集污器 MAGNETIC BAR	1	
9	423300419	急停开关安装座 EMERGENCY STOP SWITCH MOUNTING	1	
10	805100184	螺钉 M12×20 SCREW M12×20	4	GB/T70.1-2008
11	805300014	垫圈 10 WASHER 10	28	GB/T93-1987
12	423202392	电铃安装座总成 BELL MOUNTING	1	
13	423300655	油箱体 OIL TANK BODY	1	
14	803374879	接头 CONNECTOR	1	
15	805100241	螺钉 M5×10 SCREW M5×10	12	GB/T70.1-2008
16	423300412	装饰板 DECORATED PLATE	2	
17	803202737	液位计 LIQUID LEVEL METER	2	
18	805100173	螺钉 M10×20 SCREW M10×20	24	GB/T70.1-2008
19	423300656	盖板 COVER PLATE	2	
20	803192486	O形圈 400×7 O-RING 400×7	2	GB/T3452.1-2005

423300810 HYDRAULIC SYSTEM 液压系统

423300753 OPERATION CONSOLE ARRANGEMENT PLAN 操作台布置





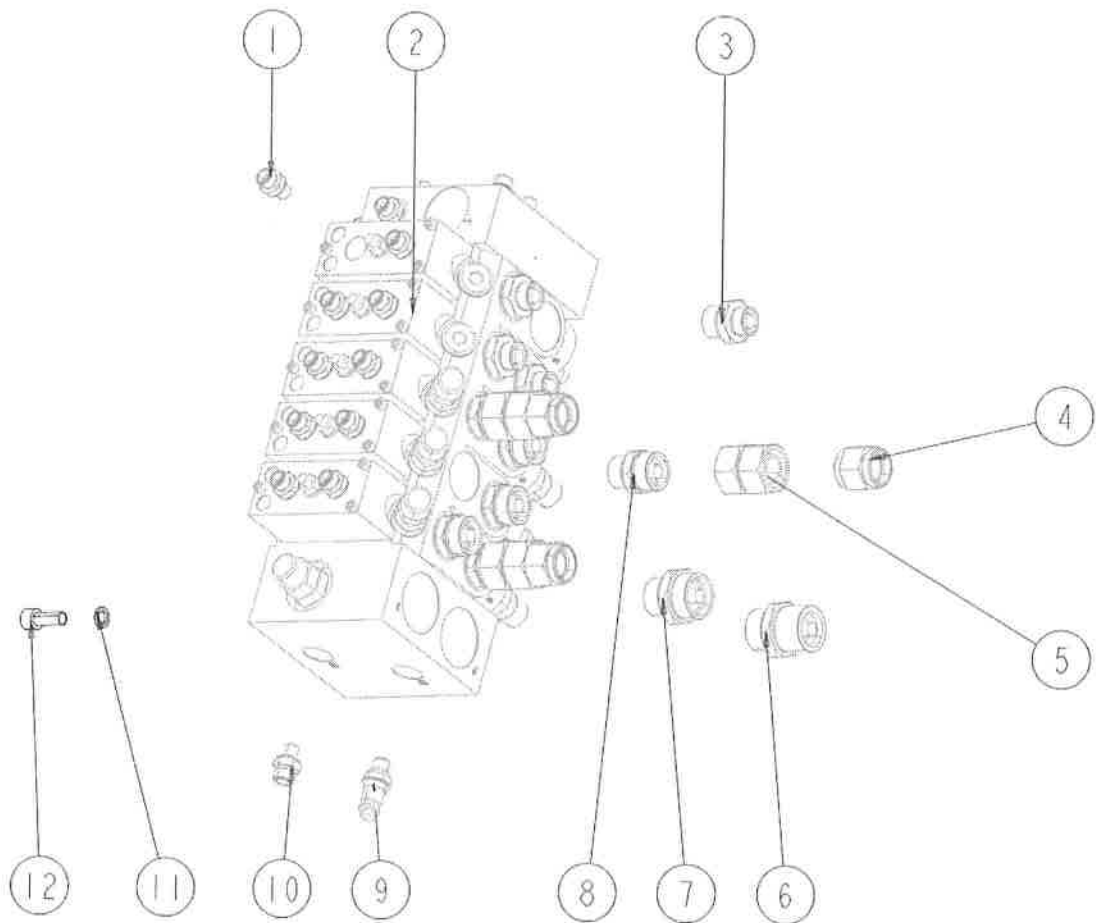
423100807 HYDRAULIC SYSTEM 液压系统

423300753 OPERATION CONSOLE ARRANGEMENT PLAN 操作台布置

序号 No.	零部件代号 Part No.	名称 Part name	数量 Q'ty	备注 Remark
1	423300751	阀组 II 总成 VALVE ASSEMBLY II	1	
2	423300750	阀组 I 总成 VALVE ASSEMBLY I	1	
3	423300749	行走连接块总成 TRAVELING CONNECT BLOCK ASSEMBLY	1	
4	423300752	涨紧球阀总成 TIGHTENING BALL VALVE ASSEMBLY	1	
5	423300747	回油集流器 RETURN OIL COLLECTOR	1	
6	423300748	回油块总成 RETURN OIL BLOCK	1	

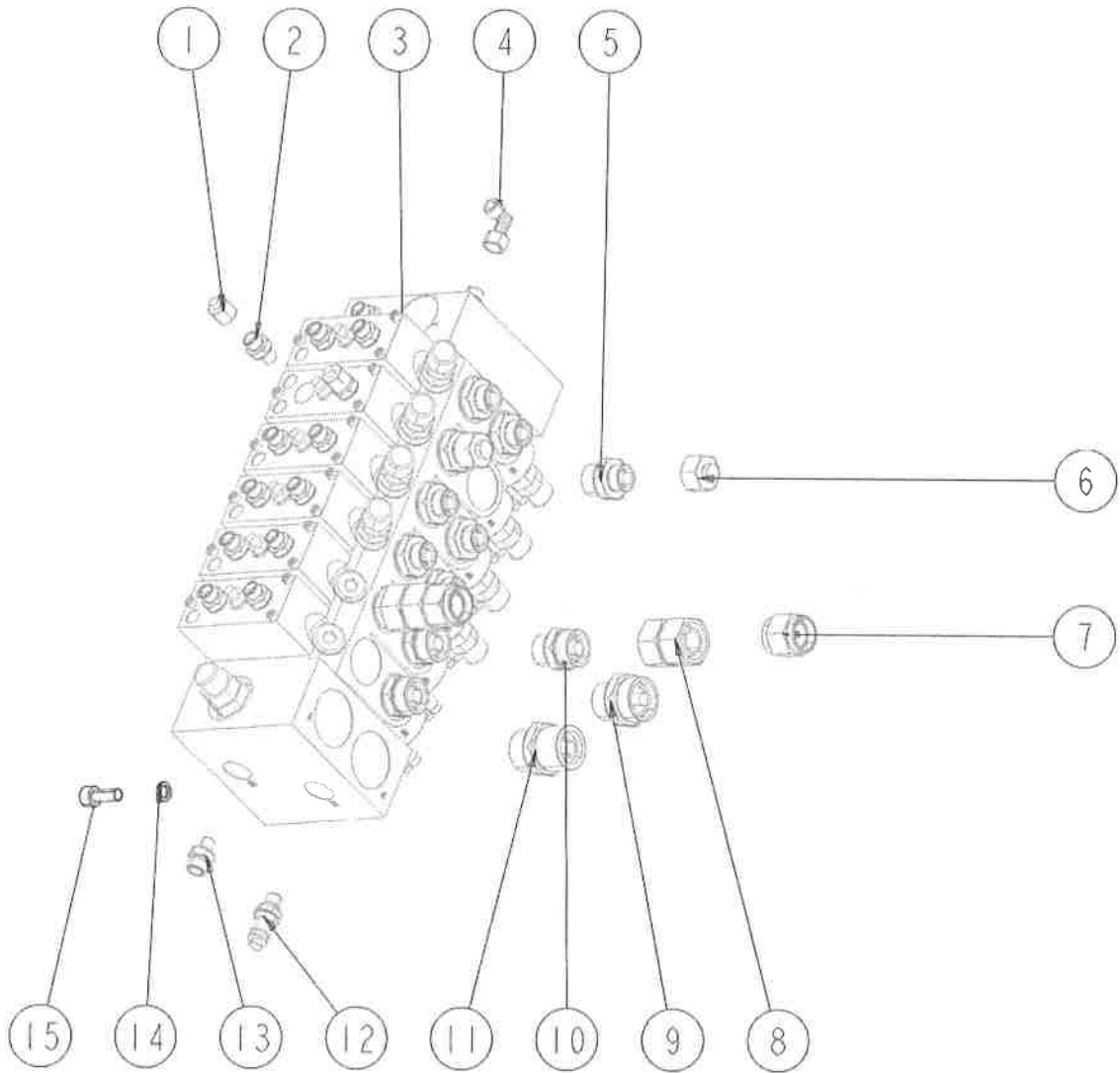
423300753 OPERATION CONSOLE ARRANGEMENT PLAN 操作台布置

423300751 VALVE II ASSEMBLY 阀组II总成



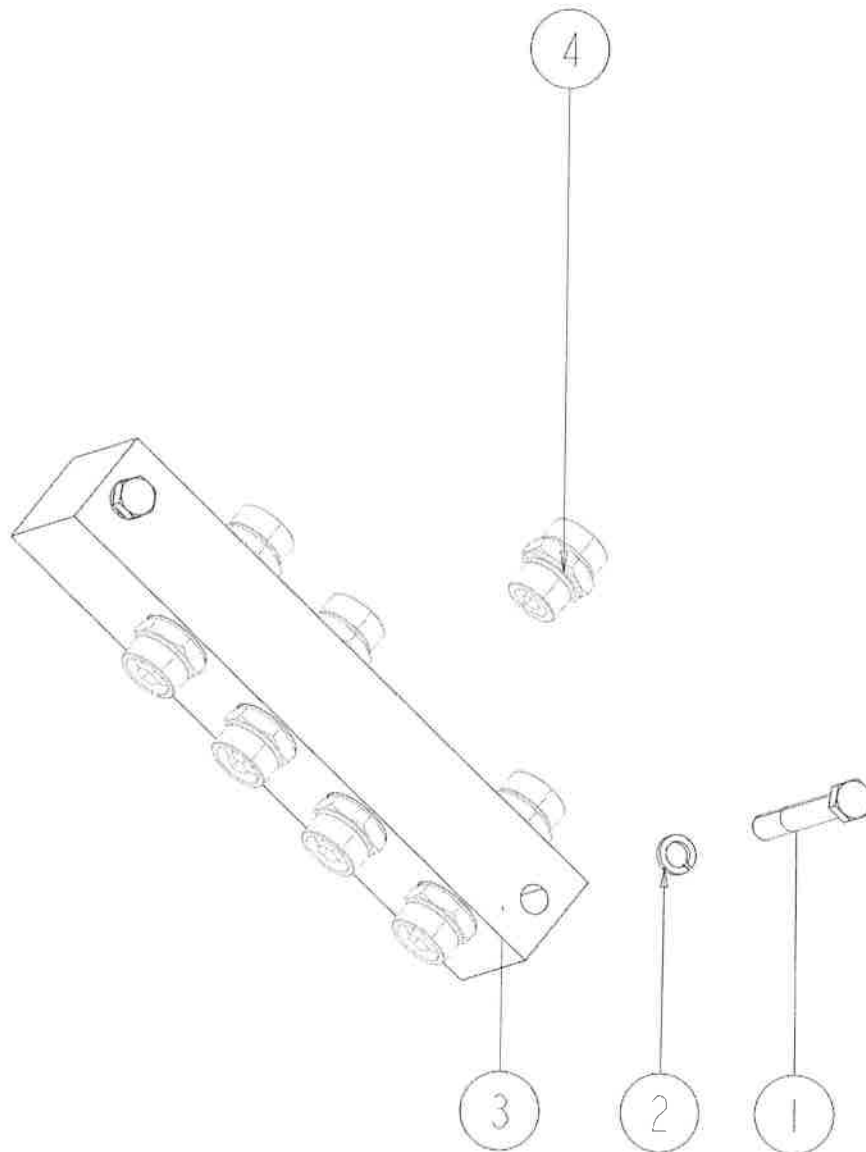
423300753 OPERATION CONSOLE ARRANGEMENT PLAN 操作台布置

423300750 VALVE I ASSEMBLY 阀组 I 总成



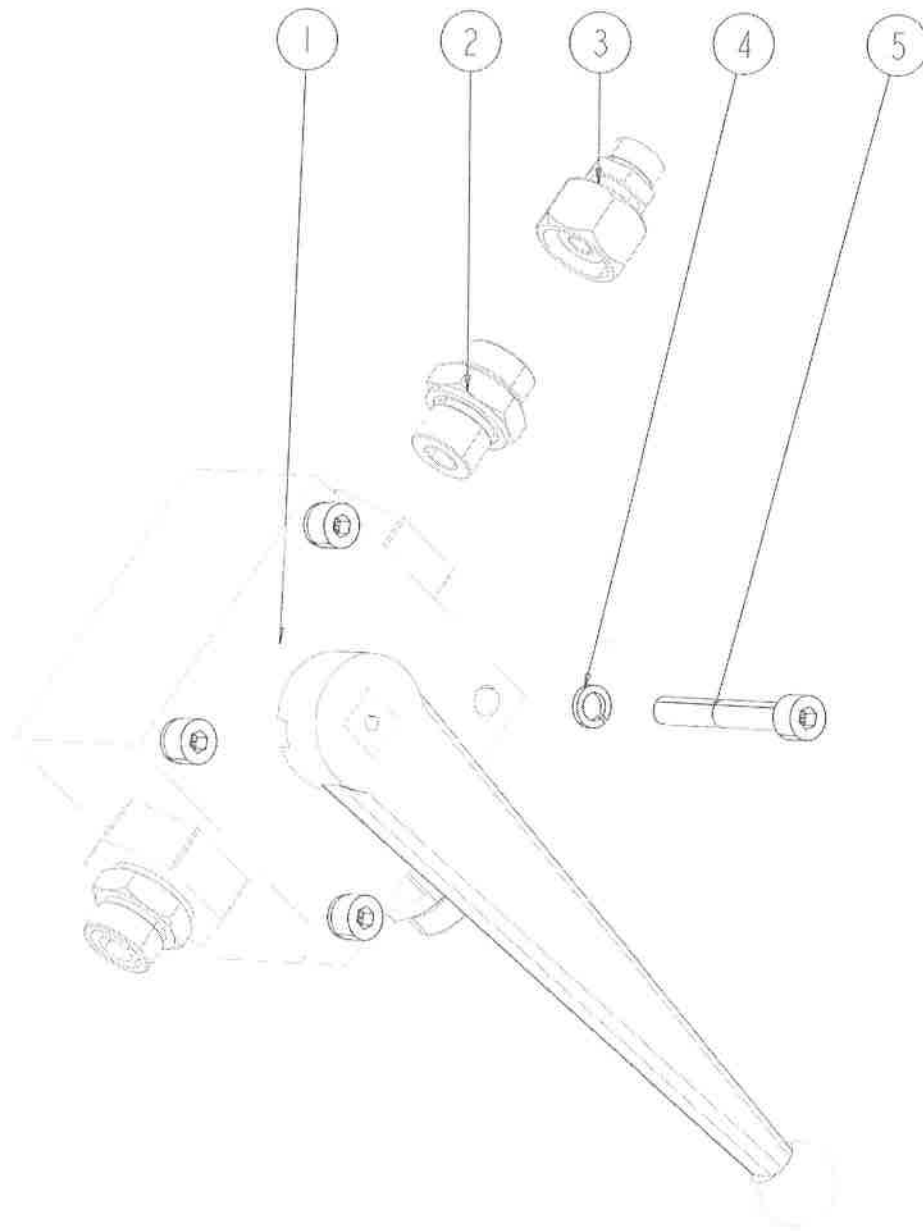
423300753 OPERATION CONSOLE ARRANGEMENT PLAN 操作台布置

423300749 TRAVELING CONNECT BLOCK ASSEMBLY 行走连接块总成



423300753 OPERATION CONSOLE ARRANGEMENT PLAN 操作台布置

423300752 TIGHTENING BALL VALVE ASSEMBLY 涨紧球阀总成





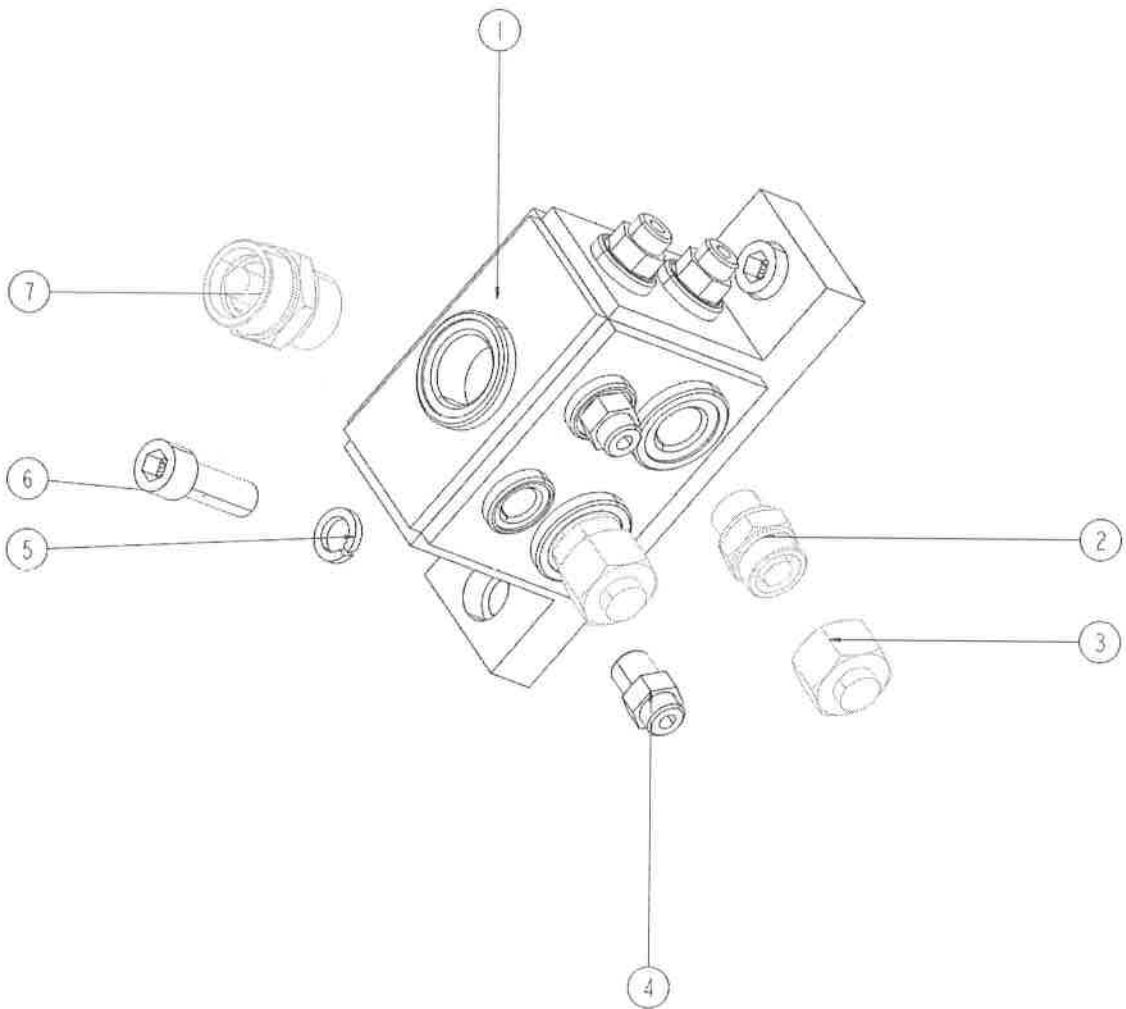
423300753 OPERATION CONSOLE ARRANGEMENT PLAN 操作台布置

423300752 TIGHTENING BALL VALVE ASSEMBLY 涨紧球阀总成

序号 No.	零部件代号 Part No.	名称 Part name	数量 Q'ty	备注 Remark
1	803076898	三通球阀	BALL VALVE	1
2	803195587	接头	CONNECTOR	3
3	803105355	接头	CONNECTOR	1
4	805300010	垫圈 8	WASHER 8	4 GB/T93-1987
5	805100119	螺钉 M8×60	SCREW M8×60	4 GB/T70.1-2008

423300753 OPERATION CONSOLE ARRANGEMENT PLAN 操作台布置

423300747 RETURN OIL COLLECTOR 回油集流器





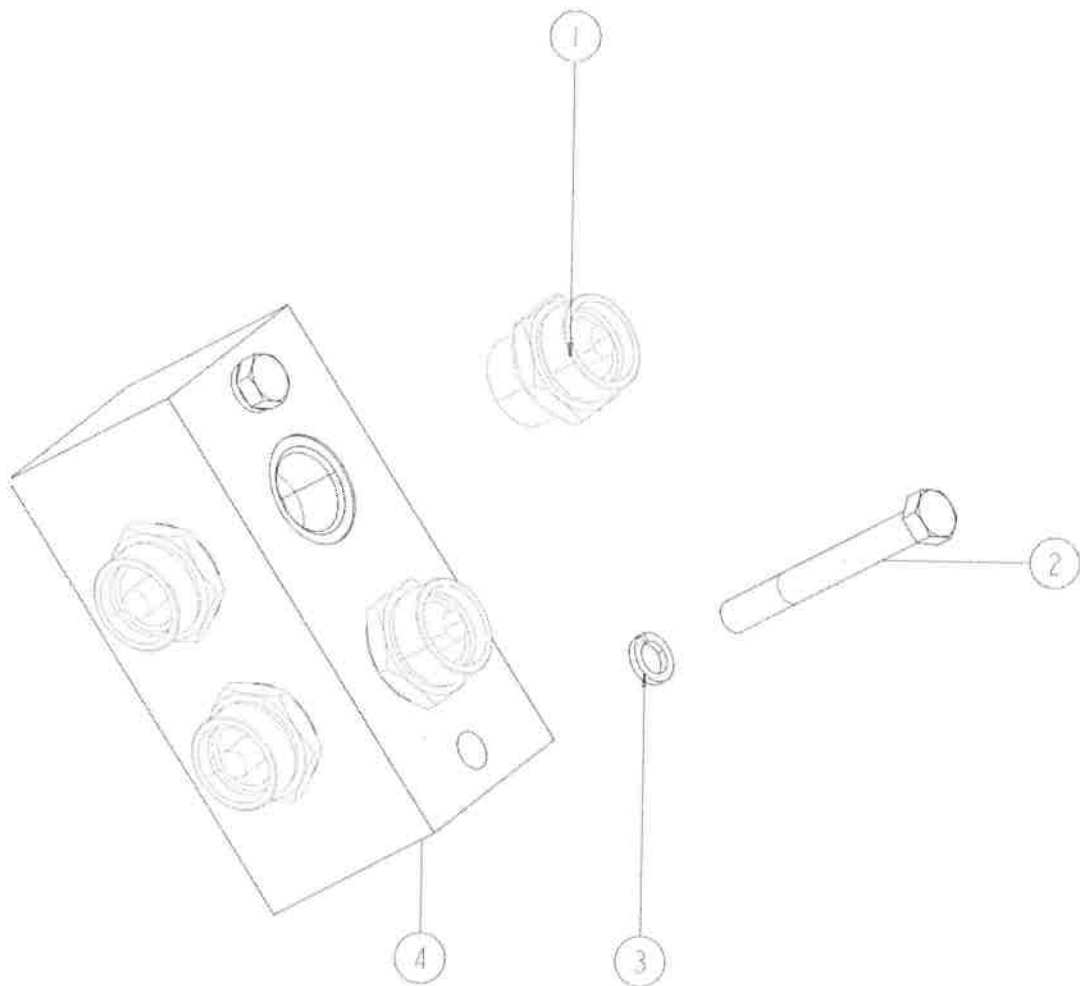
423300753 OPERATION CONSOLE ARRANGEMENT PLAN 操作台布置

423300747 RETURN OIL COLLECTOR 回油集流器

序号 No.	零部件代号 Part No.		名称 Part name	数量 Q'ty	备注 Remark
1	423300430	回油集流器	RETURN OIL COLLECTOR	1	
2	803103818	接头	CONNECTOR	2	
3	803132119	堵头	PLUG	2	
4	803376951	接头	CONNECTOR	4	
5	805300018	垫圈 12	WASHER 12	2	GB/T93-1987
6	805100145	螺钉 M12×35	SCREW M12×35	2	GB/T70.1-2008
7	803104915	接头	CONNECTOR	1	

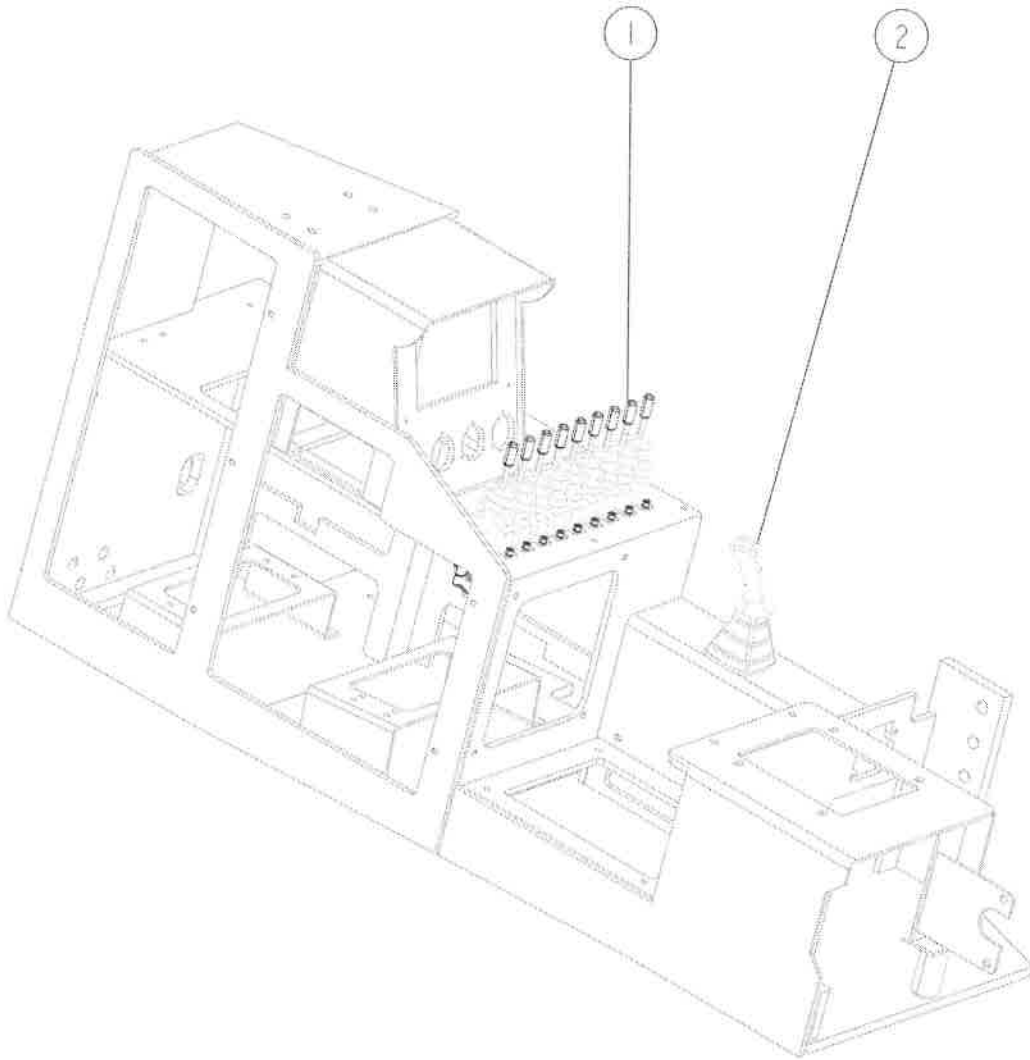
423300753 OPERATION CONSOLE ARRANGEMENT PLAN 操作台布置

423300748 RETURN OIL BLOCK 回油块总成



423100810 HYDRAULIC SYSTEM 液压系统

423300756 OPERATION CONSOLE PILOT ARRANGEMENT PLAN 操作手柄布置





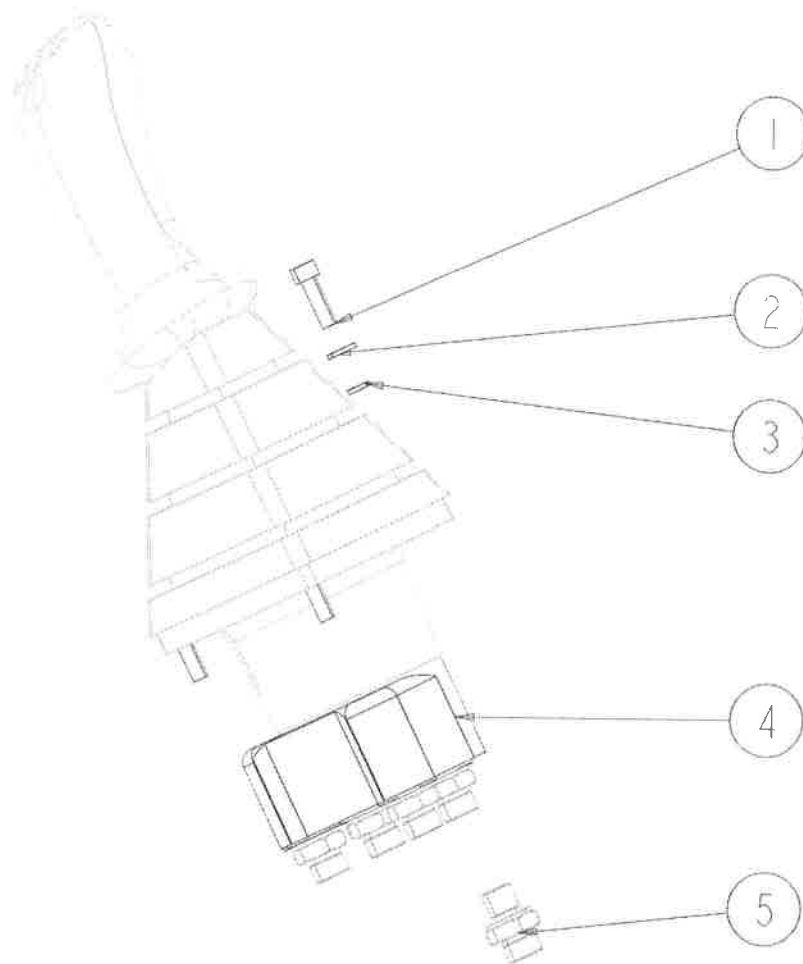
423100810 HYDRAULIC SYSTEM 液压系统

423300756 OPERATION CONSOLE PILOT ARRANGEMENT PLAN 操作手柄布置

序号 No.	零部件代号 Part No.	名称 Part name	数量 Q'ty	备注 Remark
1	423104252	单手柄总成 SINGLE HANDLE ASSEMBLY	1	
2	423300754	多联手柄总成 MULTIPLE SETS OF HANDLE ASSEMBLY	1	

423300756 OPERATION CONSOLE PILOT ARRANGEMENT PLAN 操作手柄布置

423300755 SINGLE HANDLE ASSEMBLY 单手柄总成





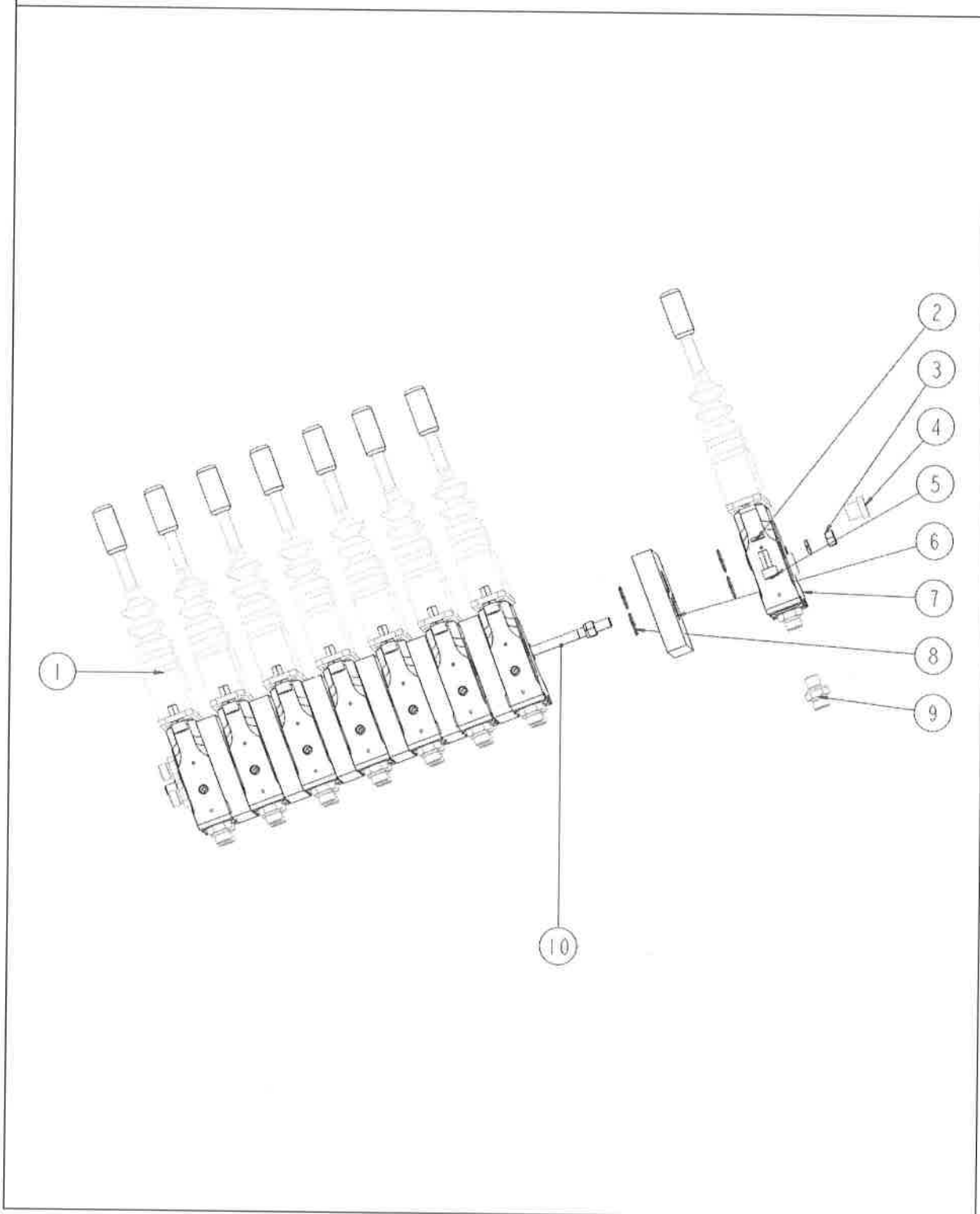
423300756 OPERATION CONSOLE PILOT ARRANGEMENT PLAN 操作手柄布置

423300755 SINGLE HANDLE ASSEMBLY 单手柄总成

序号 No.	零部件代号 Part No.	名称 Part name	数量 Qty	备注 Remark
1	805100059	螺钉 M6×20 SCREW M6×20	4	GB/T70.1-2008
2	805300029	垫圈 6 WASHER	4	GB/T97.1-2002
3	805300030	垫圈 6 WASHER	4	GB/T93-1987
4	803012276	液控先导手柄 ASSISTANT HANDLE	1	进口/选配
4	803091653	液控先导手柄 ASSISTANT HANDLE	1	国产/标配
5	803104484	接头 CONNECTOR	6	

423300756 OPERATION CONSOLE PILOT ARRANGEMENT PLAN 操作手柄布置

423300754 MULTIPLE SETS OF HANDLE ASSEMBLY 多联手柄总成





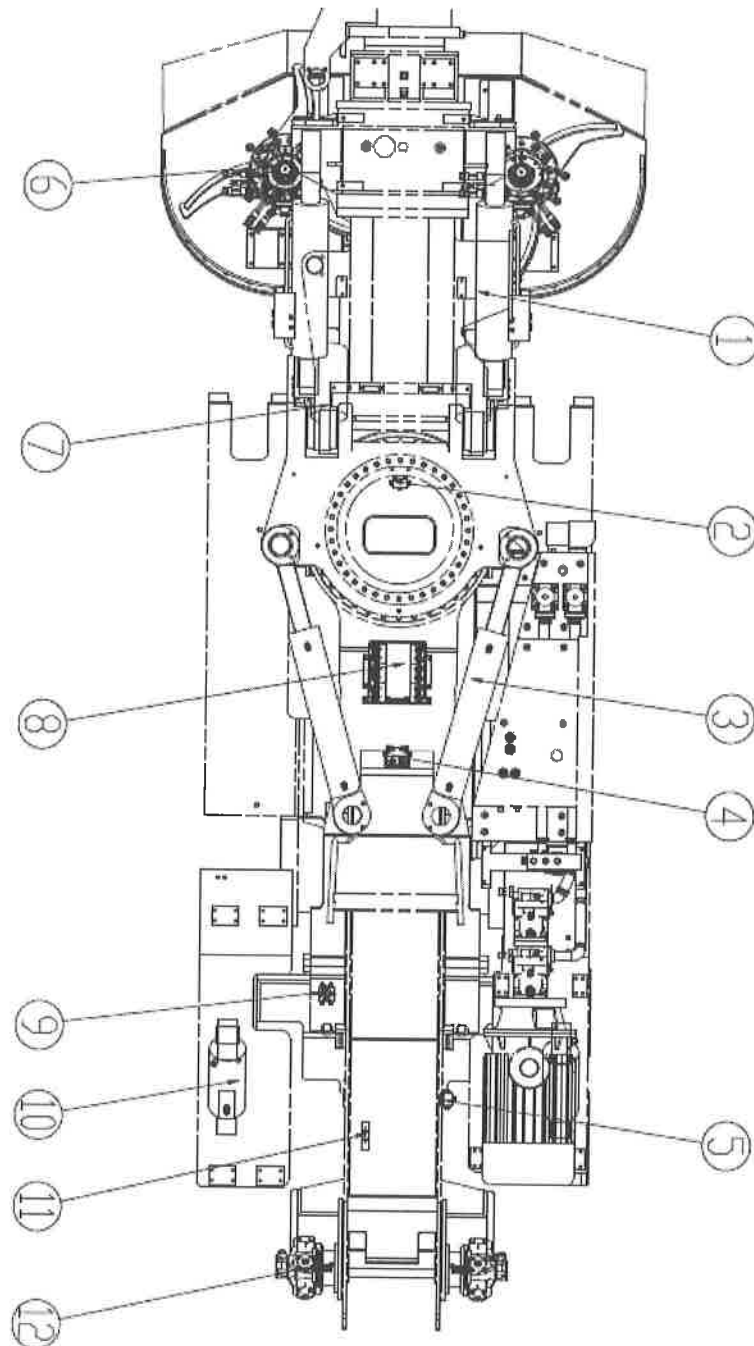
423300756 OPERATION CONSOLE PILOT ARRANGEMENT PLAN 操作手柄布置

423300754 MULTIPLE SETS OF HANDLE ASSEMBLY 多联手柄总成

序号 No.	零部件代号 Part No.	名称 Part name	数量 Q'ty	备注 Remark
1	801505023	先导手柄 PILOT HANDLE	5	进口/选配
2	803076528	先导手柄 PILOT HANDLE	5	国产/标配
2	805300010	垫圈 8 WASHER 8	20	GB/T93-1987
3	805200045	螺母 M8 NUT M8	4	GB/T6170-2000
4	803103958	堵头 PLUG	2	
5	805138258	螺钉 M8×16 SCREW M8×16	16	GB/T70.1-2008
6	423300434	阀块 VALUE BLOCK	7	
7	801505022	先导手柄 PILOT HANDLE	3	进口/选配
7	803091654	先导手柄 PILOT HANDLE	3	国产/标配
8	801138409	O形圈 17×1.8 O-RING 17×1.8	28	GB/T3452.1-2005
9	803104484	接头 CONNECTOR	18	

423300810 HYDRAULIC SYSTEM 液压系统

423302757 MAIN FRAME MAIN HYDRAULIC ARRANGEMENT OF THE PIPE 上车布置





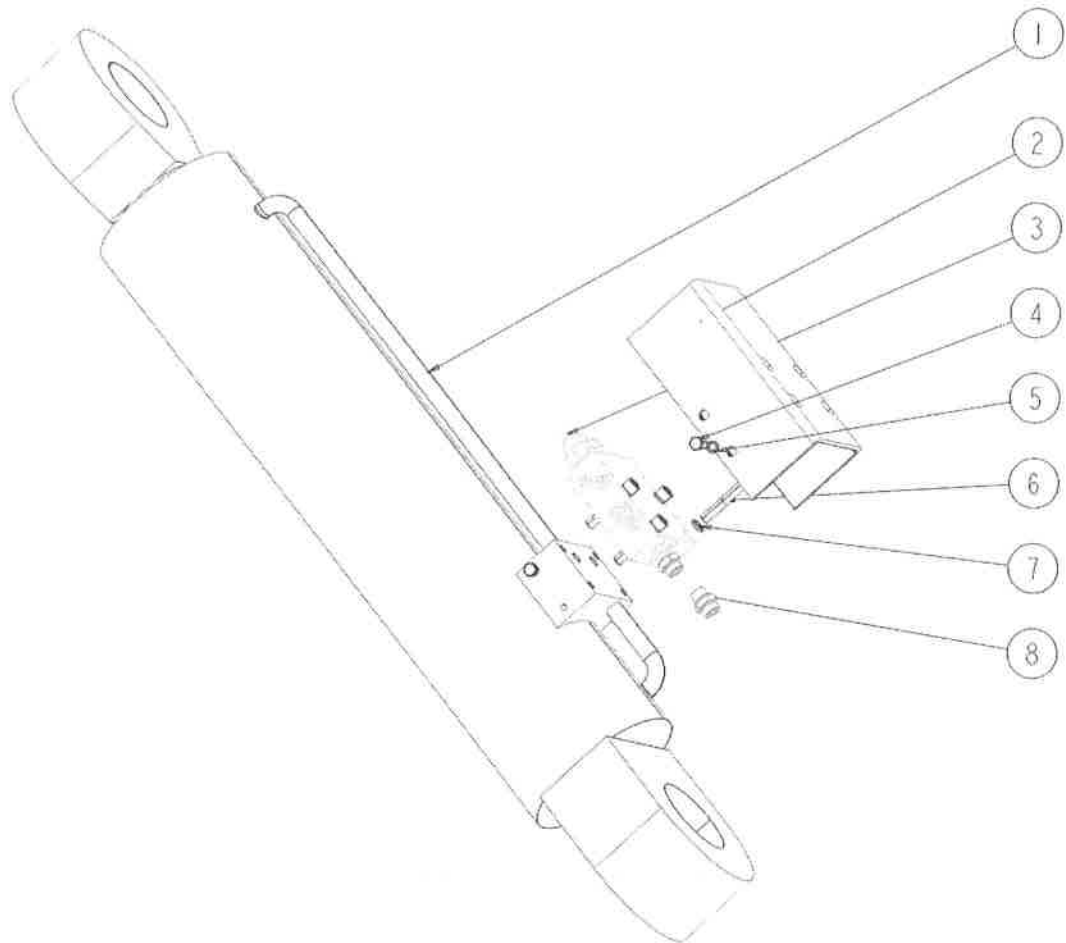
423300810 HYDRAULIC SYSTEM 液压系统

423302757 MAIN FRAME MAIN HYDRAULIC ARRANGEMENT OF THE PIPE 上车布置

序号 No.	零部件代号 Part No.	名称 Part name	数量 Q'ty	备注 Remark
1	423300758	切割头升降油缸总成	LIFTING CYLINDER ASSEMBLY 2	
2	423300765	油缸连接块总成	CYLINDER CONNECT BLOCK ASSEMBLY 1	
3	423300760	切割头回转油缸总成	ROTARY CYLINDER ASSEMBLY 2	
4	423300761	平衡阀总成	BALANCE VALVE ASSEMBLY 2	
5	423200760	马达连接块总成	MOTOR CONNECT BLOCK ASSEMBLY 1	
6	423104326	星轮马达总成	STAR WHEEL MOTOR 2	
7	423100800	铲板升降油缸总成	RAMP PLATE LIFTING CYLINDER ASSEMBLY 2	
8	423104689	冷却器总成	COOLER ASSEMBLY 1	
9	423200756	油缸连接块总成	CYLINDER CONNECT BLOCK ASSEMBLY 1	
10	423100802	后支撑油缸总成	REAR SUPPORT CYLINDER ASSEMBLY 2	
11	423204059	液压管夹	423204059 HYDRAULIC PIPE CLAMP 1	
12	423302451	一运马达总成	1ST CONVEYOR MOTOR ASSEMBLY 2	

423302757 MAIN FRAME MAIN HYDRAULIC ARRANGEMENT OF THE PIPE
上车布置

423300758 CUTTING HEAD LIFTING CYLINDER ASSEMBLY 切割头升降油缸总成





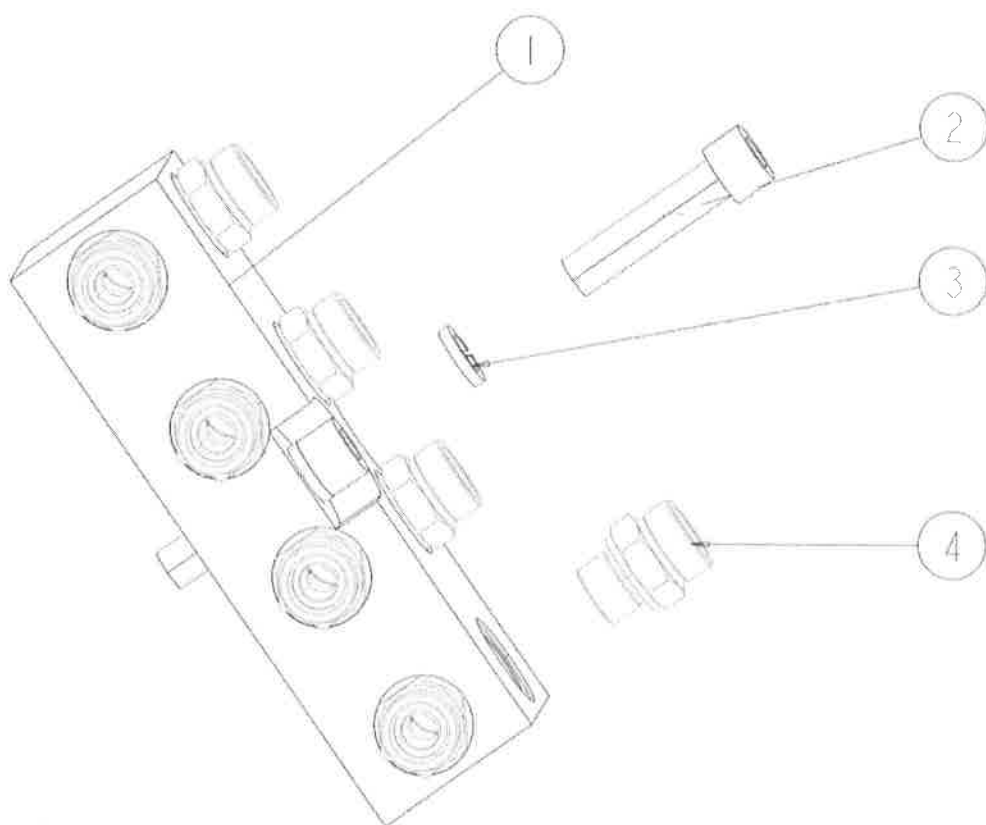
423302757 MAIN FRAME MAIN HYDRAULIC ARRANGEMENT OF THE PIPE
上车布置

423300758 CUTTING HEAD LIFTING CYLINDER ASSEMBLY 切割头升降油缸总成

序号 No.	零部件代号 Part No.	名称 Part name	数量 Q'ty	备注 Remark
1	803081492	切割头升降油缸 CUTTING HEAD LIFTING CYLINDER	1	
2	423300437	平衡阀护罩 BALANCE VALVE SHIELD	1	
3	803077496	平衡阀 COUNTERBALANCE VALVE	1	
4	805000714	螺栓 M10×20 BOLT M10×20	4	GB/T5783-2000
5	805300014	垫圈 10 WASHER 10	4	GB/T93-1987
6	805100183	螺钉 M12×70 SCREW M12×70	4	GB/T70.1-2008
7	805300018	垫圈 12 WASHER 12	4	GB/T93-1987
8	803195587	接头 CONNECTOR	2	

423302757 MAIN FRAME MAIN HYDRAULIC ARRANGEMENT OF THE PIPE
上车布置

423300765 CYLINDER CONNECT BLOCK ASSEMBLY 油缸连接块总成



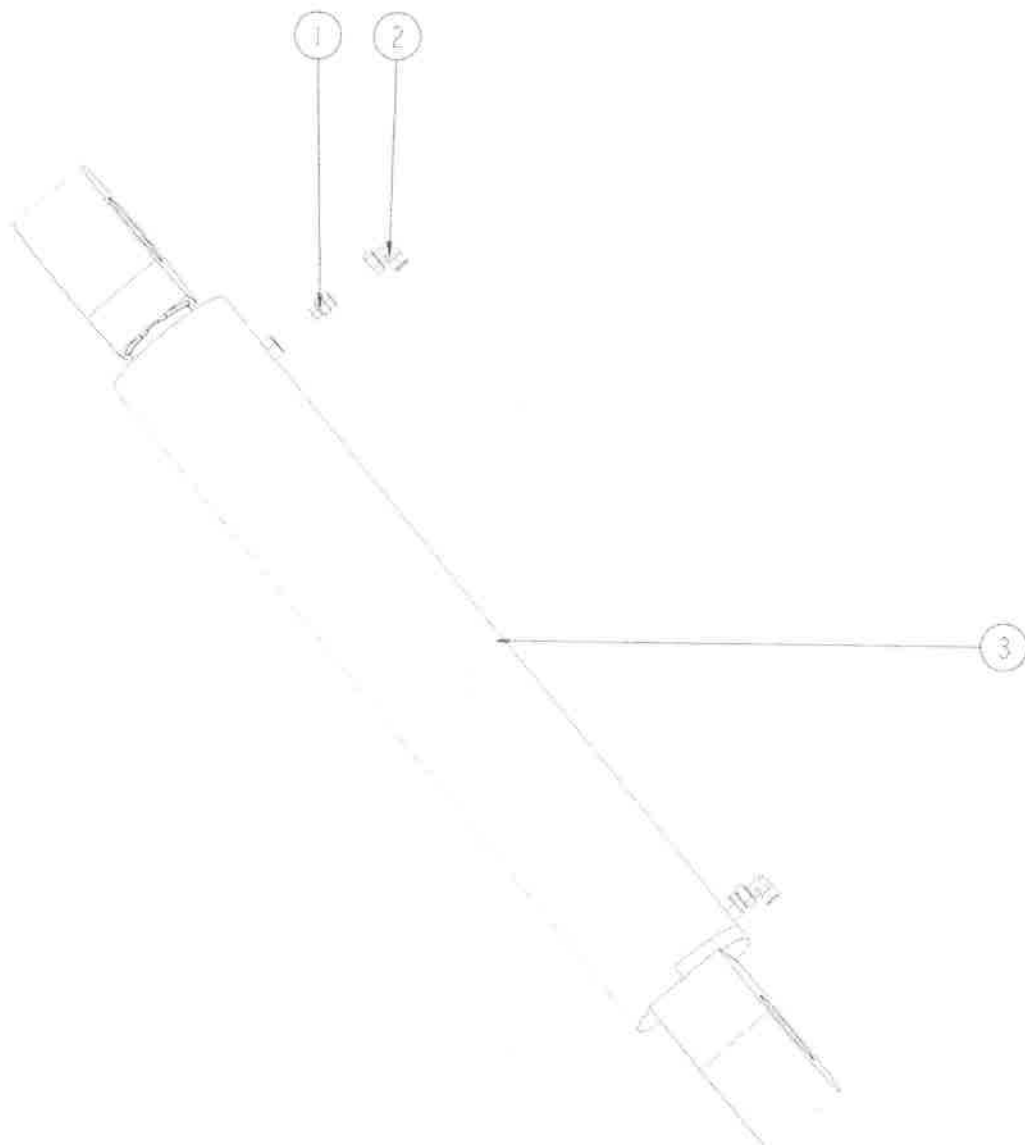
423302757 MAIN FRAME MAIN HYDRAULIC ARRANGEMENT OF THE PIPE
上车布置

423300765 CYLINDER CONNECT BLOCK ASSEMBLY 油缸连接块总成

序号 No.	零部件代号 Part No.	名称 Part name	数量 Q'ty	备注 Remark
1	423300435	连接块 BLOCK	1	
2	805100293	螺钉 M12×50 SCREW M12×50	2	GB/T70.1-2008
3	805300018	垫圈 12 WASHER 12	2	GB/193-1987
4	803103818	接头 CONNECTOR	12	

423302757 MAIN FRAME MAIN HYDRAULIC ARRANGEMENT OF THE PIPE
上车布置

423300760 SLEWING CYLINDER 回转油缸总成





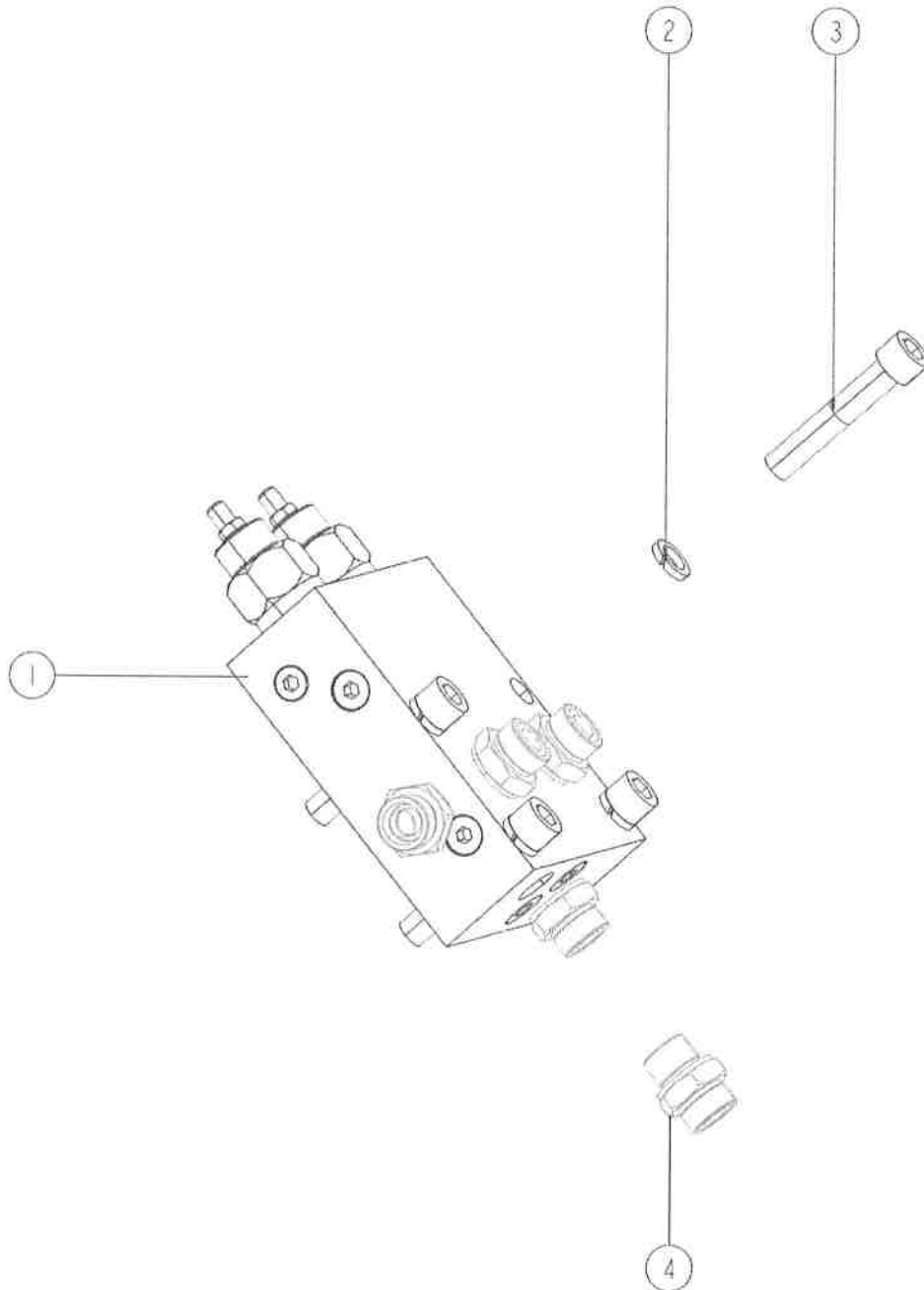
423302757 MAIN FRAME MAIN HYDRAULIC ARRANGEMENT OF THE PIPE
上车布置

423300760 SLEWING CYLINDER 回转油缸总成

序号 No.	零部件代号 Part No.		名称 Part name	数量 Q'ty	备注 Remark
1	803103818	接头	CONNECTOR	2	
2	803103775	接头	CONNECTOR	2	
3	803078999	切割头回转油缸	CUTTING HEAD ROTARY CYLINDER	1	

423302757 MAIN FRAME MAIN HYDRAULIC ARRANGEMENT OF THE PIPE
上车布置

423300761 BALANCE VALVE ASSEMBLY 平衡阀总成





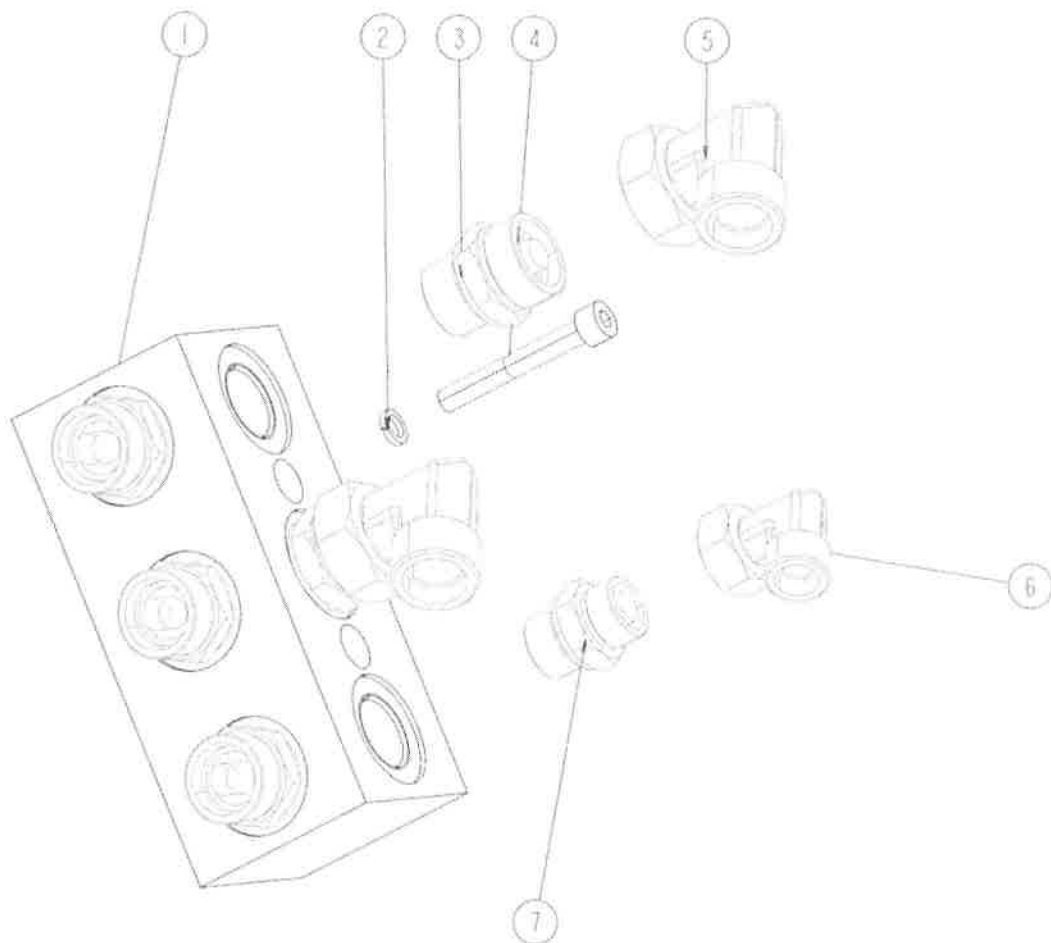
423302757 MAIN FRAME MAIN HYDRAULIC ARRANGEMENT OF THE PIPE
上车布置

423300761 BALANCE VALVE ASSEMBLY 平衡阀总成

序号 No.	零部件代号 Part No.	名称 Part name	数量 Q'ty	备注 Remark
1	803077374	平衡阀 COUNTERBALANCE VALVE	1	
2	805300018	垫圈 12 WASHER 12	4	GB/T93-1987
3	805100424	螺钉 M12×65 SCREW M12×65	4	GB/T70.1-2008
4	803195587	接头 CONNECTOR	6	

423302757 MAIN FRAME MAIN HYDRAULIC ARRANGEMENT OF THE PIPE
上车布置

423200760 MOTOR CONNECT BLOCK ASSEMBLY 马达连接块总成





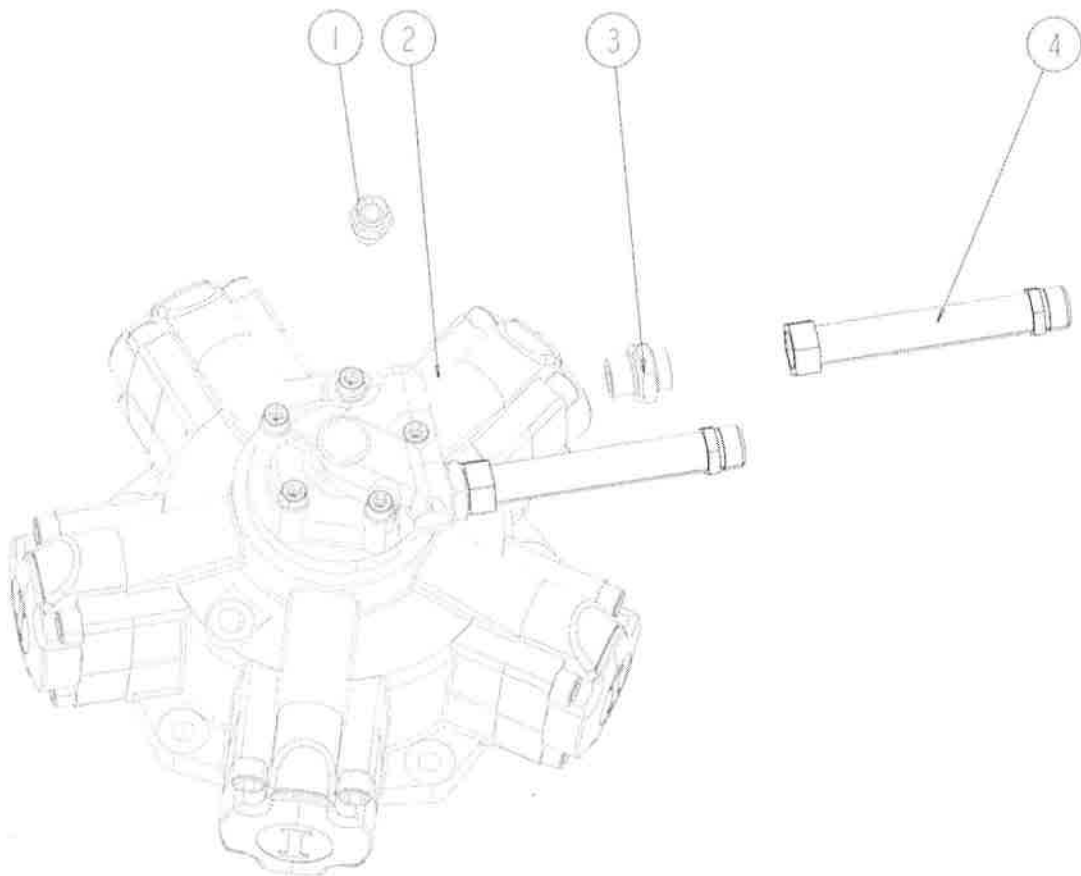
423302757 MAIN FRAME MAIN HYDRAULIC ARRANGEMENT OF THE PIPE
上车布置

423200760 MOTOR CONNECT BLOCK ASSEMBLY 马达连接块总成

序号 No.	零部件代号 Part No.	名称 Part name	数量 Q'ty	备注 Remark
1	423200464	马达连接块 MOTOR CONNECT BLOCK	1	
2	805300010	垫圈 8 WASHER 8	2	GB/T93-1987
3	803104915	接头 CONNECTOR	7	
4	805100119	螺钉 M8×60 SCREW M8×60	2	GB/T70.1-2008
5	803173684	接头 CONNECTOR	2	
6	803103775	接头 CONNECTOR	1	
7	803105653	接头 CONNECTOR	2	

423302757 MAIN FRAME MAIN HYDRAULIC ARRANGEMENT OF THE PIPE
上车布置

423302450 STAR WHEEL MOTOR ASSEMBLY 星轮马达总成





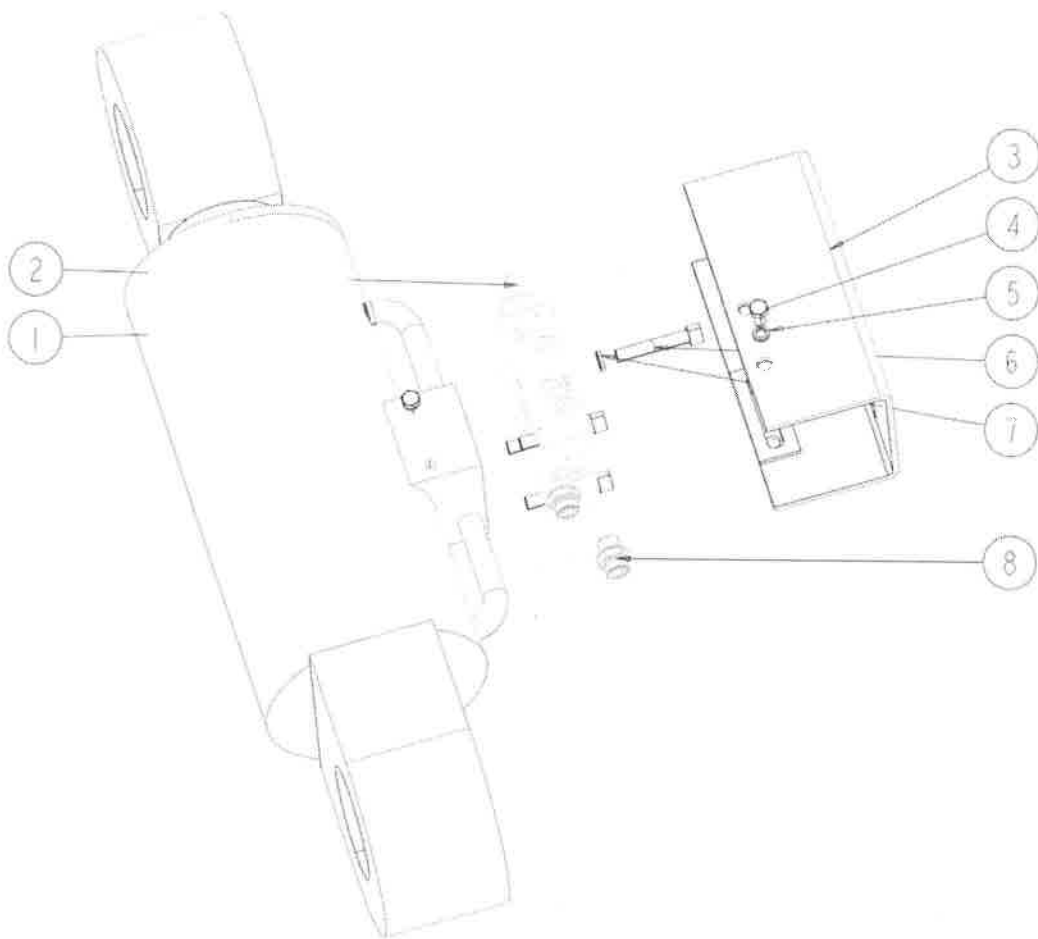
423302757 MAIN FRAME MAIN HYDRAULIC ARRANGEMENT OF THE PIPE
上车布置

423302450 STAR WHEEL MOTOR ASSEMBLY 星轮马达总成

序号 No.	零部件代号 Part No.		名称 Part name	数量 Q'ty	备注 Remark
1	803109644	接头	CONNECTOR	1	
2	803084185	马达(英特姆)	MOTOR	1	
3	803111106	接头	CONNECTOR	2	
4	803407205	软管总成	RUBBER HOSE	2	

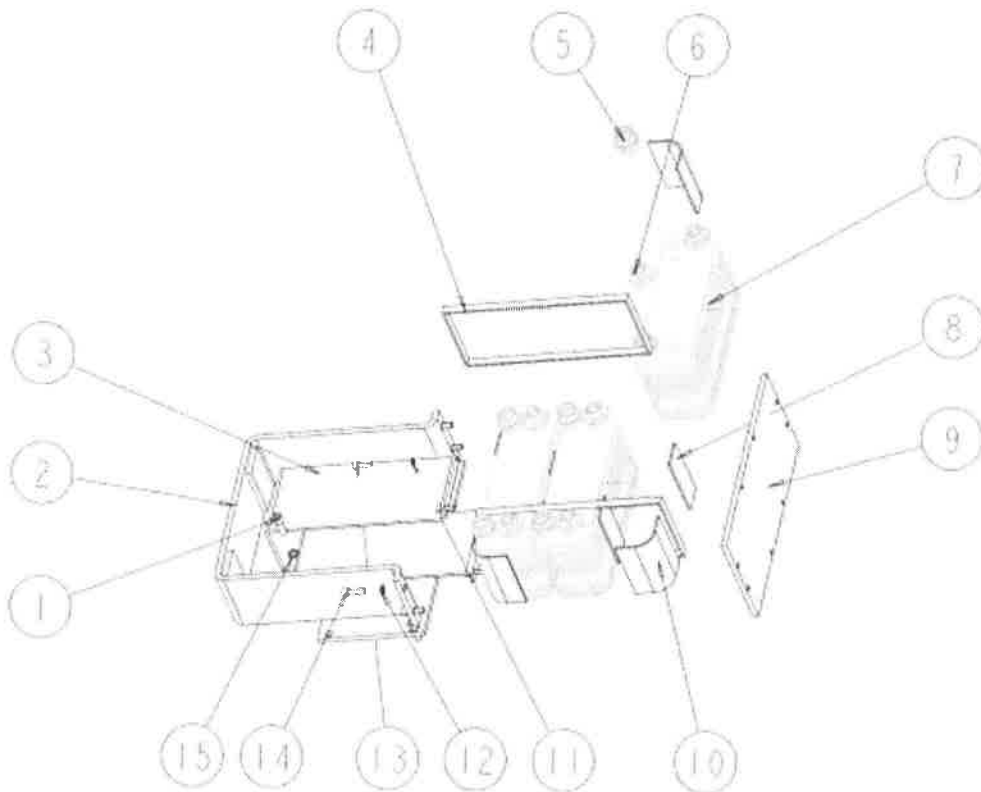
423302757 MAIN FRAME MAIN HYDRAULIC ARRANGEMENT OF THE PIPE
上车布置

423300759 RAMP PLATE LIFTING CYLINDER ASSEMBLY 铲板升降油缸总成



423302757 MAIN FRAME MAIN HYDRAULIC ARRANGEMENT OF THE PIPE
上车布置

423104689 COOLER ASSEMBLY 冷却器总成





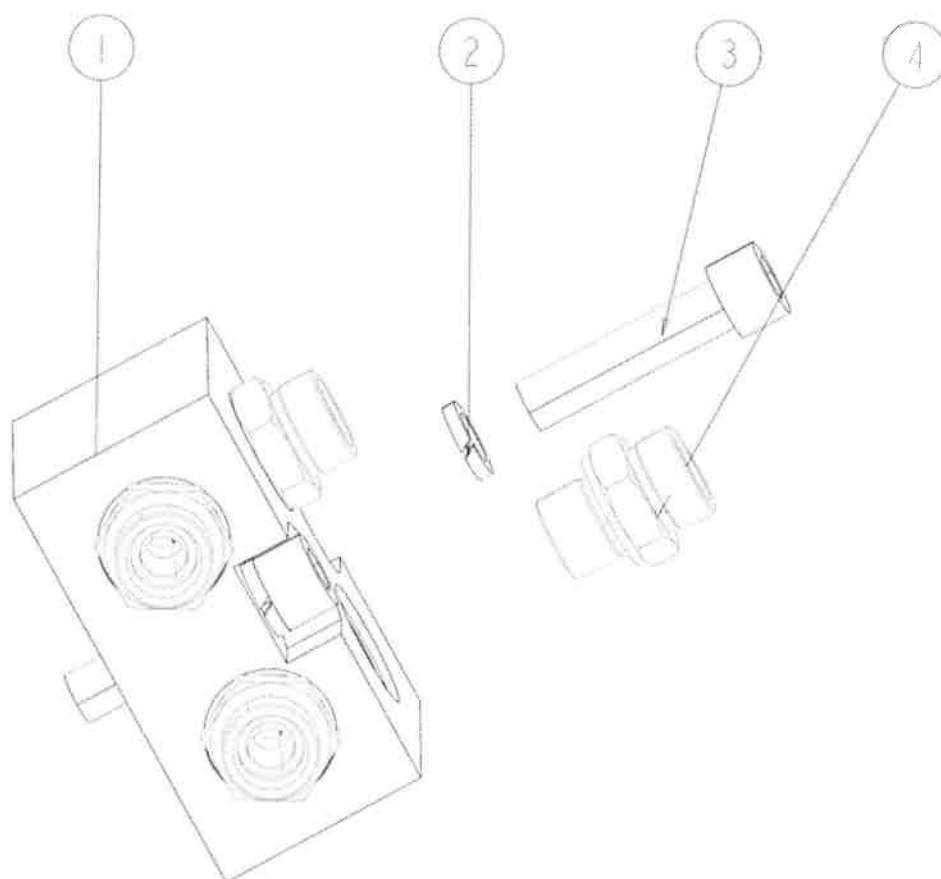
**423302757 MAIN FRAME MAIN HYDRAULIC ARRANGEMENT OF THE PIPE
上车布置**

423104689 COOLER ASSEMBLY 冷却器总成

序号 No.	零部件代号 Part No.	名称 Part name	数量 Q'ty	备注 Remark
1	805100039	螺钉 M12×30	4	GB/T70.1-2008
2	423201835	弯板	1	
3	423201834	联接板	1	
4	423200457	胶板 t4×15×700	2	
5	803174492	接头	6	
6	803103525	接头	6	
7	803097938	冷却器	3	
8	423200458	胶板 t4×50×120	4	
9	423200452	顶板	1	
10	423200454	胶板 t4×116×120	4	
11	805300010	垫圈 8	4	GB/T93-1987
12	805300014	垫圈 10	4	GB/T93-1987
13	805100037	螺钉 M8×25	4	GB/T70.1-2008
14	805101913	螺钉 M10×30	4	GB/T70.1-2008
15	805300018	垫圈 12	4	GB/T93-1987

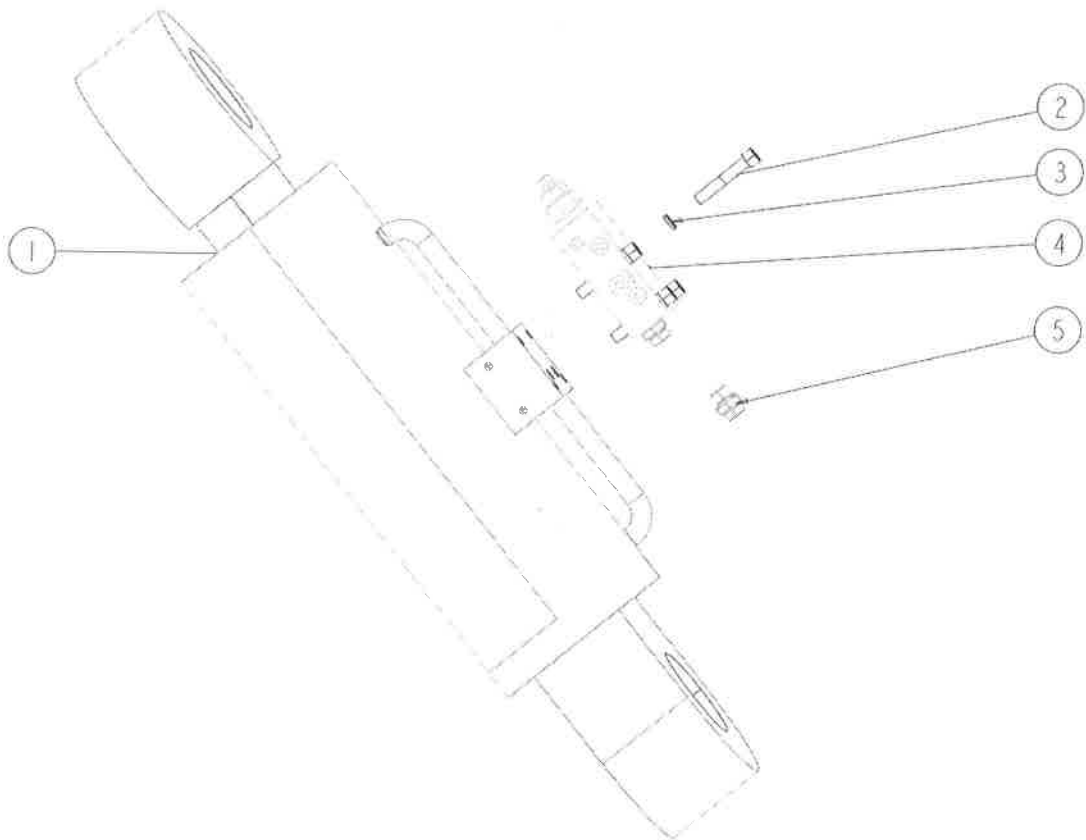
423302757 MAIN FRAME MAIN HYDRAULIC ARRANGEMENT OF THE PIPE
上车布置

423200756 CYLINDER CONNECT BLOCK ASSEMBLY 油缸连接块总成



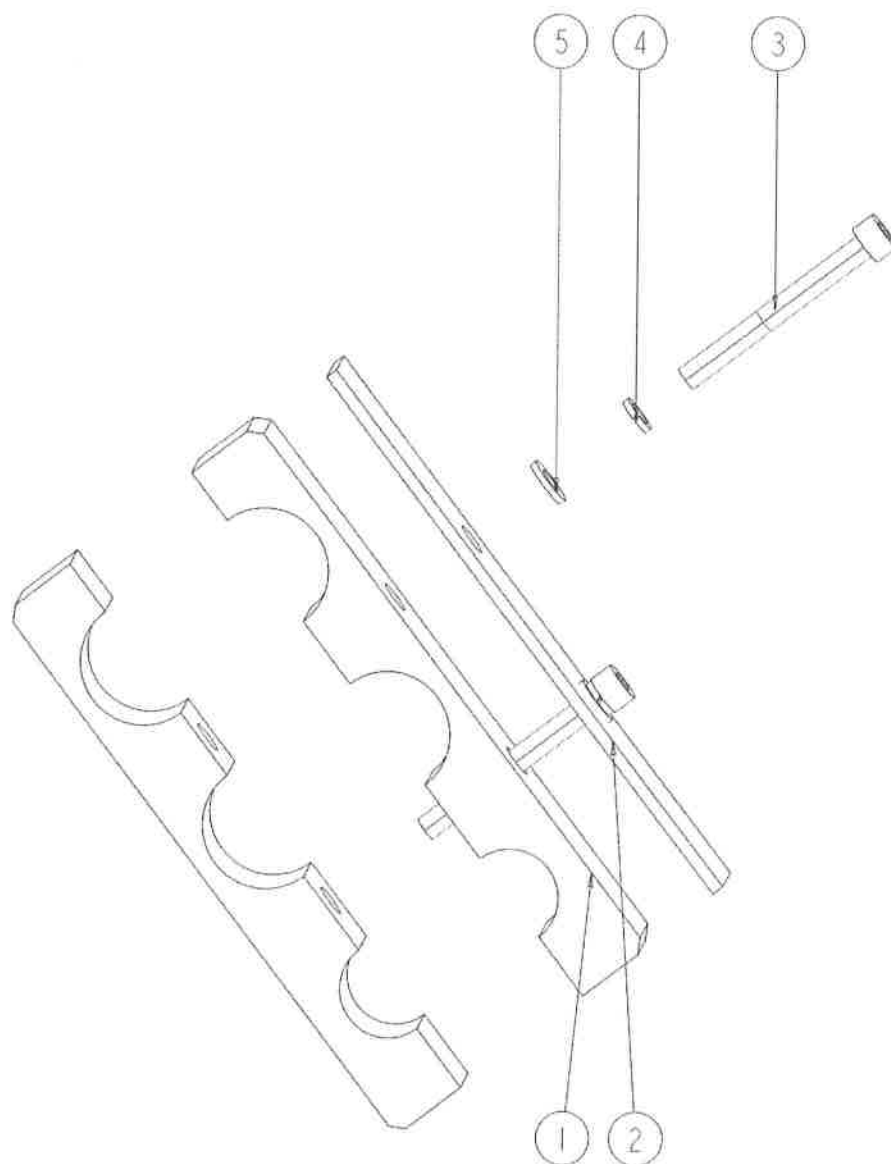
423302757 MAIN FRAME MAIN HYDRAULIC ARRANGEMENT OF THE PIPE
上车布置

423300763 REAR SUPPORT CYLINDER ASSEMBLY 后支撑油缸总成



423302757 MAIN FRAME MAIN HYDRAULIC ARRANGEMENT OF THE PIPE
上车布置

423204059 HYDRAULIC PIPE CLAMP 液压管夹





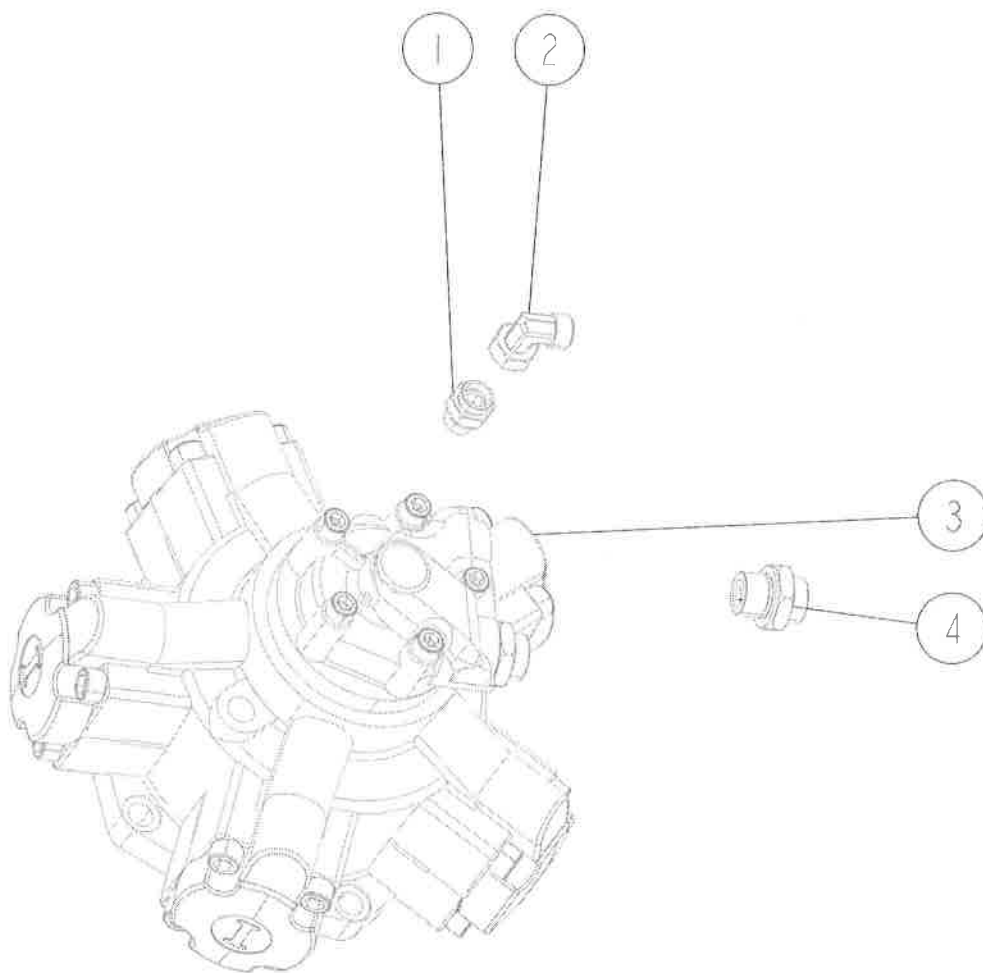
423302757 MAIN FRAME MAIN HYDRAULIC ARRANGEMENT OF THE PIPE
上车布置

423204059 HYDRAULIC PIPE CLAMP 液压管夹

序号 No.	零部件代号 Part No.	名称 Part name	数量 Q'ty	备注 Remark
1	423204061	管夹 PIPE CLIP	2	
2	423204060	盖板 COVER PLATE	1	
3	805105227	螺钉 M6×55 SCREW M6×55	2	GB/T70.1-2008
4	805300030	垫圈 6 WASHER	2	GB/T93-1987
5	805300029	垫圈 6 WASHER	2	GB/T97.1-2002

423302757 MAIN FRAME MAIN HYDRAULIC ARRANGEMENT OF THE PIPE
上车布置

423302451 1ST CONVEYOR MOTOR ASSEMBLY 一运马达总成



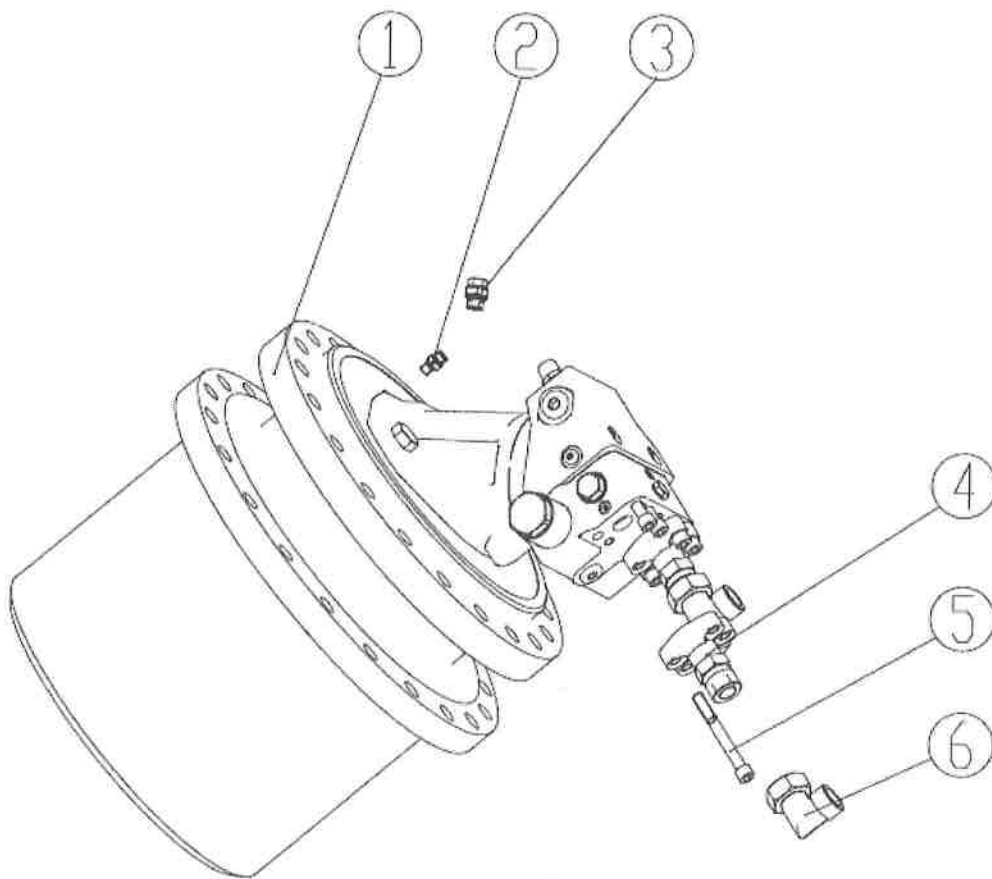
423302757 MAIN FRAME MAIN HYDRAULIC ARRANGEMENT OF THE PIPE
上车布置

423302451 1ST CONVEYOR MOTOR ASSEMBLY 一运马达总成

序号 No.	零部件代号 Part No.	名称 Part name	数量 Qty	备注 Remark
1	803109644	接头 CONNECTOR	1	
2	803109651	接头 CONNECTOR	1	
3	803084187	马达(英特姆) MOTOR	1	
4	803111106	接头 CONNECTOR	2	

423300810 HYDRAULIC SYSTEM 液压系统

423300813 TRAVEL MECHANISM MAIN HYDRAULIC ARRANGEMENT OF THE PIPE 下车布置





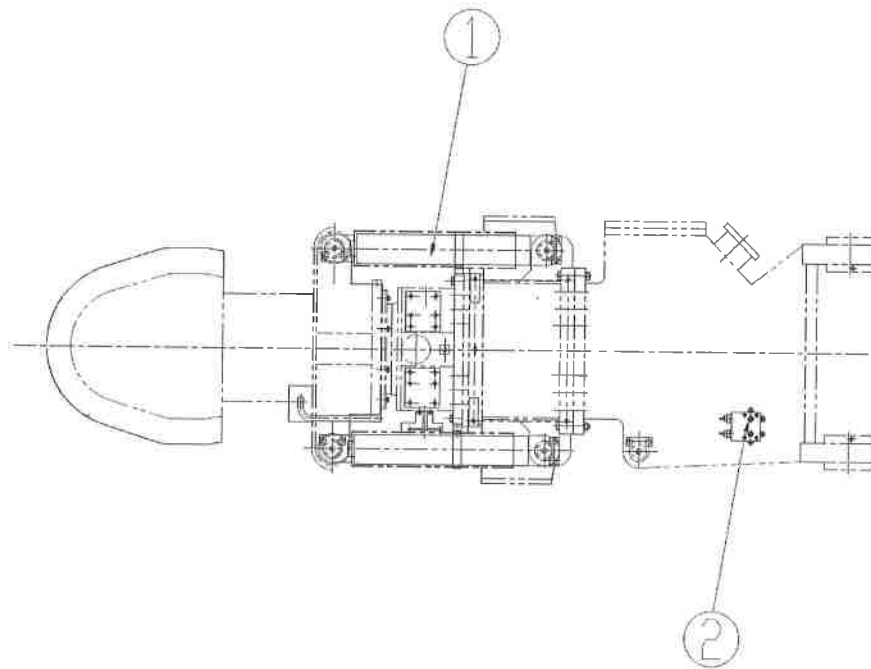
423300810 HYDRAULIC SYSTEM 液压系统

423300813 TRAVEL MECHANISM MAIN HYDRAULIC ARRANGEMENT OF THE PIPE 下车布置

序号 No.	零部件代号 Part No.	名称 Part name	数量 Q'ty	备注 Remark
1	800351985	减速机 REDUCER	1	力士乐/选配
1	800360982	减速机 REDUCER	1	株齿/标配
1	803091652	马达 MOTOR	1	力源/标配
2	803103817	接头 CONNECTOR	2	
3	803103818	接头 CONNECTOR	1	
4	803105350	法兰 BLIND FLANGE	5	
5	805100204	螺钉 M12×110 SCREW M12×110	6	GB/T70.1-2008
6	803105384	接头 CONNECTOR	2	

423100810 HYDRAULIC SYSTEM 液压系统

423103992 DOUBLE TELESCOPIC CYLINDER HYDRAULIC ARRANGEMENT OF THE PIPE
双伸缩油缸液压布管





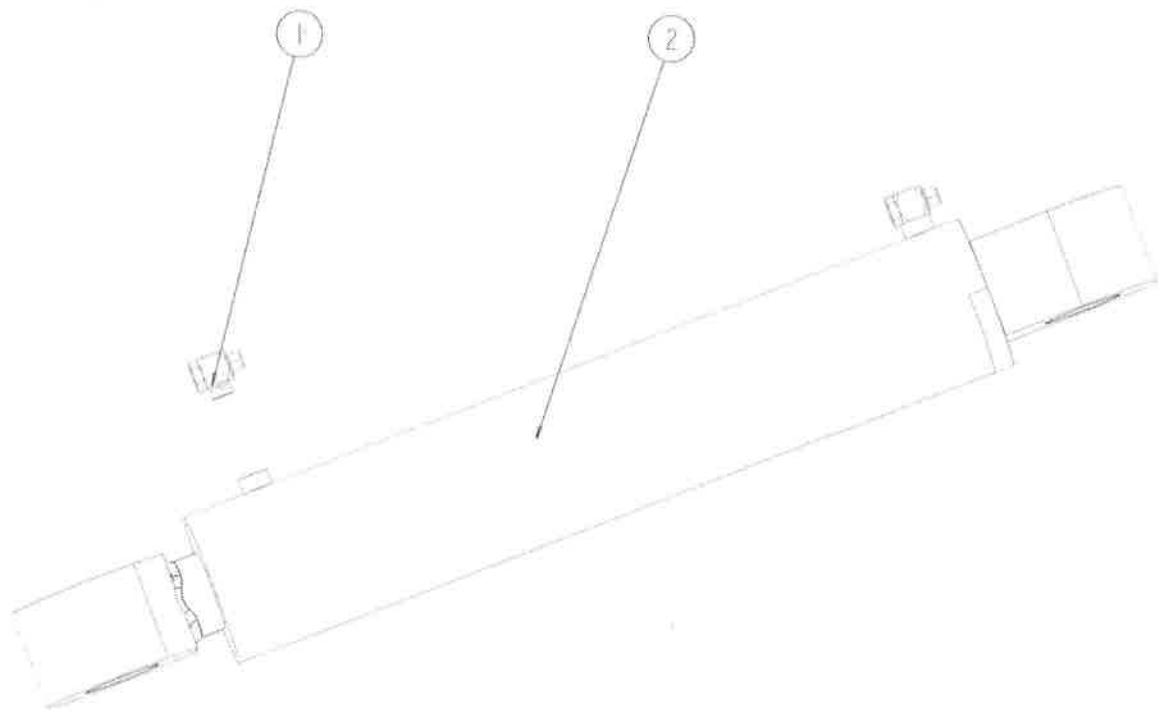
423100810 HYDRAULIC SYSTEM 液压系统

423103992 DOUBLE TELESCOPIC CYLINDER HYDRAULIC ARRANGEMENT OF THE PIPE
双伸缩油缸液压布管

序号 No.	零部件代号 Part No.	名称 Part name	数量 Q'ty	备注 Remark
1	423103990	切割头伸缩油缸 总成	2	
2	423103991	平衡阀总成	1	423103991

423103992 DOUBLE TELESCOPIC CYLINDER HYDRAULIC ARRANGEMENT OF THE PIPE
双伸缩油缸液压布管

423103990 CUTTING HEAD TELESCOPIC CYLINDER ASSEMBLY 切割头伸缩油缸总成



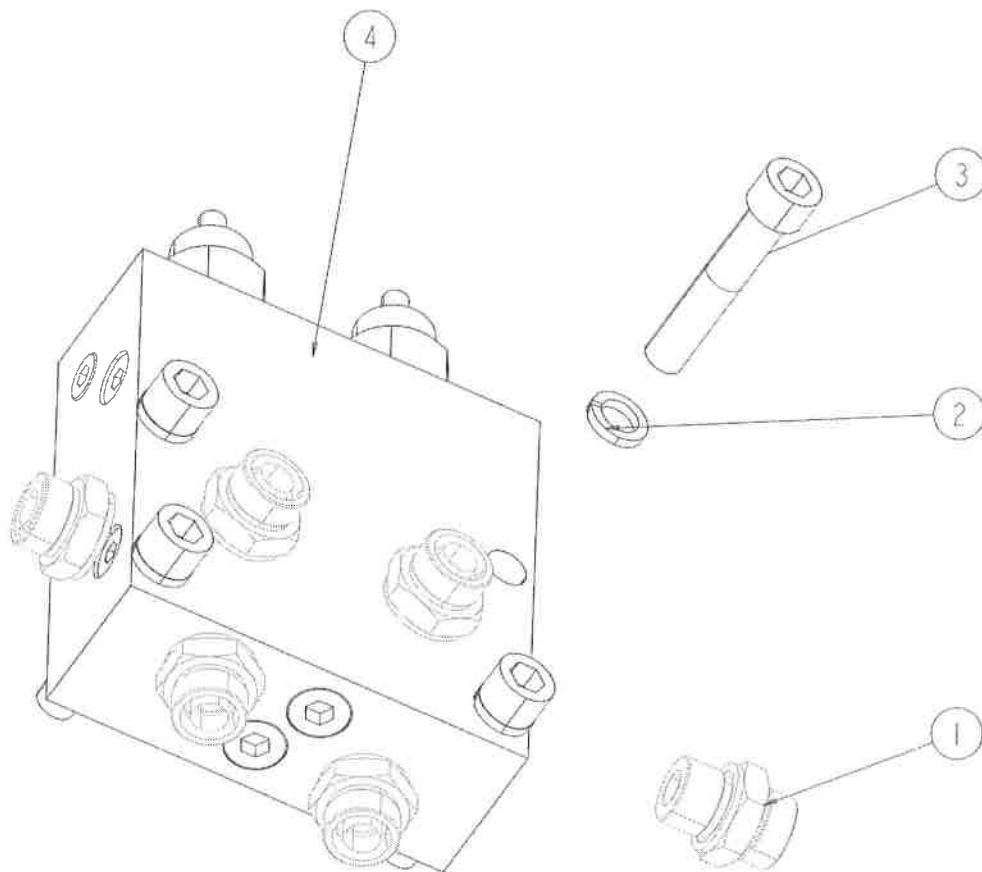
423103992 DOUBLE TELESCOPIC CYLINDER HYDRAULIC ARRANGEMENT OF THE PIPE
双伸缩油缸液压布管

423103990 CUTTING HEAD TELESCOPIC CYLINDER ASSEMBLY 切割头伸缩油缸总成

序号 No.	零部件代号 Part No.	名称 Part name	数量 Q'ty	备注 Remark
1	803190734	接头 CONNECTOR	2	
2	803090553	切割头伸缩油缸 CUTTING HEAD TELESCOPIC HYDRAULIC CYLINDER	1	

423103992 DOUBLE TELESCOPIC CYLINDER HYDRAULIC ARRANGEMENT OF THE PIPE
双伸缩油缸液压布管

423103991 BALANCE VALVE ASSEMBLY 平衡阀总成





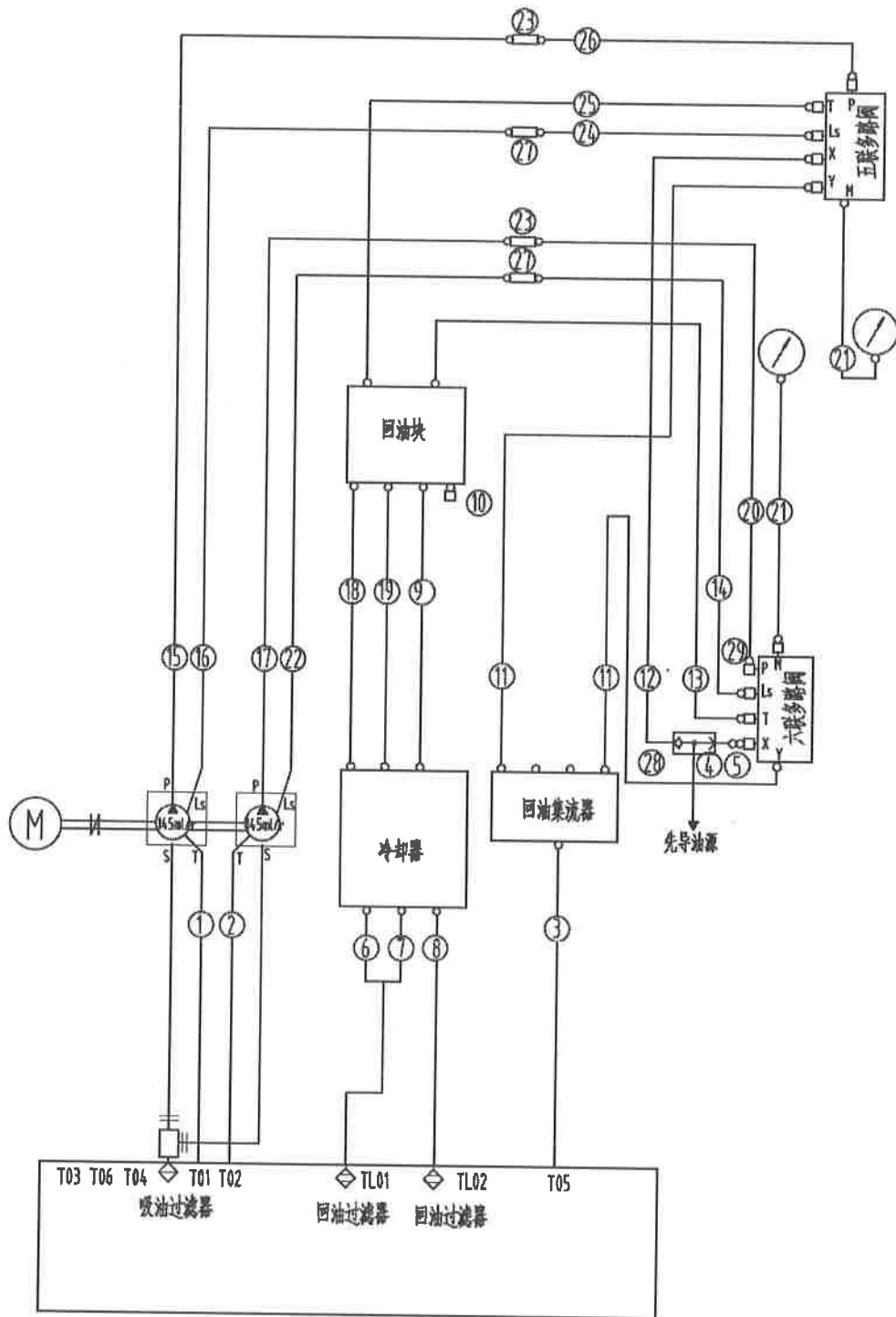
423103992 DOUBLE TELESCOPIC CYLINDER HYDRAULIC ARRANGEMENT OF THE PIPE
 双伸缩油缸液压布管

423103991 BALANCE VALVE ASSEMBLY 平衡阀总成

序号 No.	零部件代号 Part No.	名称 Part name	数量 Q'ty	备注 Remark
1	803195587	接头 CONNECTOR	6	
2	805300018	垫圈 12 WASHER 12	4	GB/T93-1987
3	805100424	螺钉 M12×65 SCREW M12×65	4	GB/T70.1-2008
4	803077374	平衡阀 COUNTERBALANCE VALVE	1	

423300810 HYDRAULIC SYSTEM 液压系统

PUMP STATION PIPE DISTRIBUTION 泵站布管



泵站布管

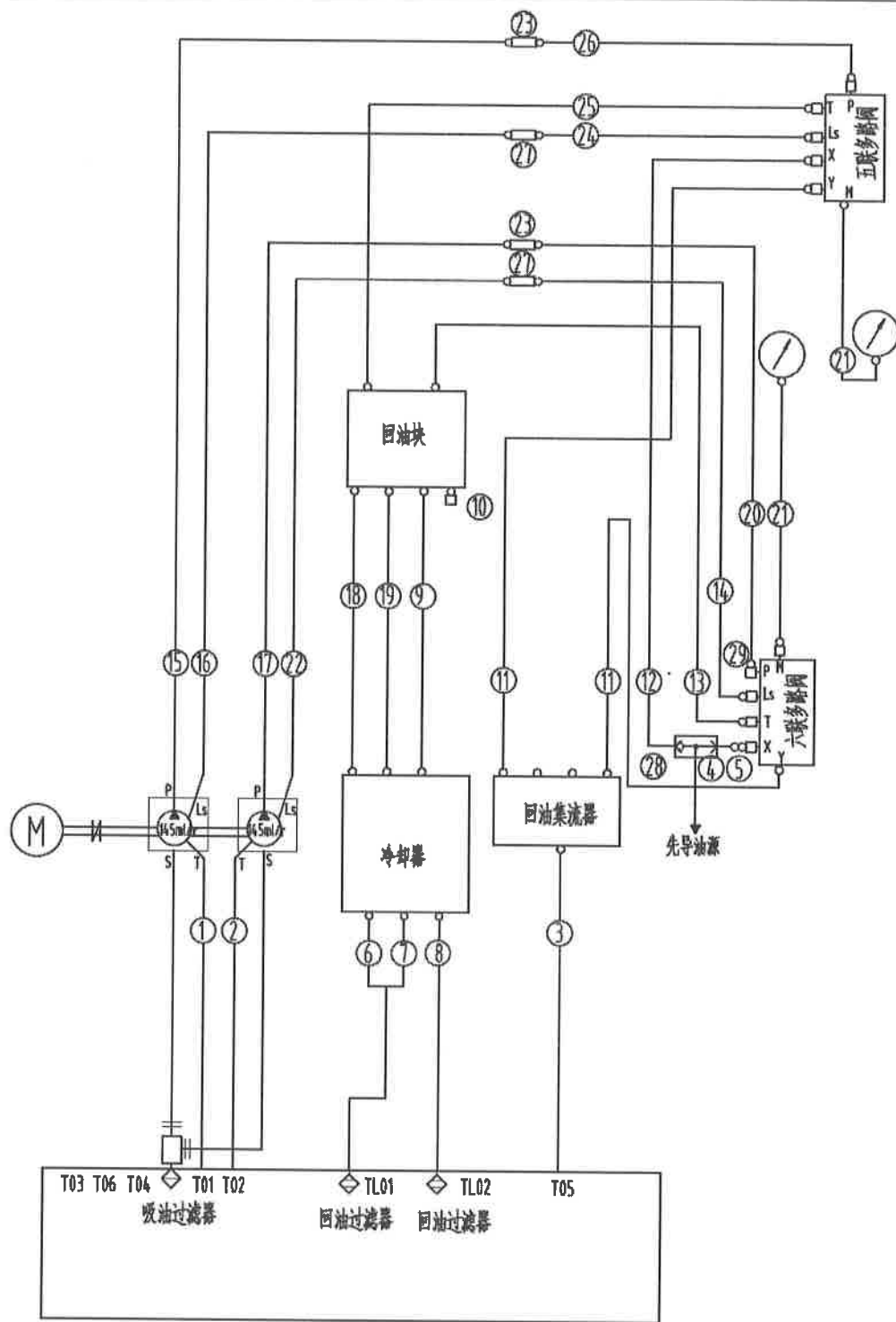
423300810 HYDRAULIC SYSTEM 液压系统

PUMP STATION PIPE DISTRIBUTION 泵站布管

序号 No.	零部件代号 Part No.	名称 Part name	数量 Q'ty	备注 Remark
1	803405896	软管总成 RUBBER HOSE	1	F381CACE222212-1000(MA)
2	803405899	软管总成 RUBBER HOSE	1	F381CACE222212-650(MA)
3	803405880	软管总成 RUBBER HOSE	1	F381CACA222212-2450-PG(MA)
4	803076330	梭阀 VALVE	1	WV08LCF
5	803171907	接头 CONNECTOR	1	GZ08LCF
6	803405884	软管总成 RUBBER HOSE	1	F381CACA282816-1600-PG(MA)
7	803405884	软管总成 RUBBER HOSE	1	F381CACA282816-1600-PG(MA)
8	803405928	软管总成 RUBBER HOSE	1	F381CACF282816-1600-PG(MA)
9	803405884	软管总成 RUBBER HOSE	1	F381CACA282816-1600-PG(MA)
10	803177600	接头 CONNECTOR	1	VKAM28LCF
11	803405908	软管总成 RUBBER HOSE	2	F381CACF080804-800(MA)
12	803405907	软管总成 RUBBER HOSE	1	F381CACF080804-750(MA)
13	803405929	软管总成 RUBBER HOSE	1	F381CACF282816-1750-PG(MA)
14	803405914	软管总成 RUBBER HOSE	1	F381CACF101005-3000-PG(MA)
15	803405934	软管总成 RUBBER HOSE	1	F781C91C252516-950-PG(MA)
16	803405910	软管总成 RUBBER HOSE	1	F381CACF101005-1500-PG(MA)
17	803405933	软管总成 RUBBER HOSE	1	F781C91C252516-850-PG(MA)
18	803405884	软管总成 RUBBER HOSE	1	F381CACA282816-1600-PG(MA)
19	803405928	软管总成 RUBBER HOSE	1	F381CACF282816-1600-PG(MA)
20	803405932	软管总成 RUBBER HOSE	1	F781C91C252516-3000-PG(MA)
21	803376497	测压软管 PRESSURE HOSE	2	SMS-20/M1/4-P-OR-1000-A
22	803405910	软管总成 RUBBER HOSE	1	F381CACF101005-1500-PG(MA)
23	803104495	接头 CONNECTOR	2	G25SCFX

423300810 HYDRAULIC SYSTEM 液压系统

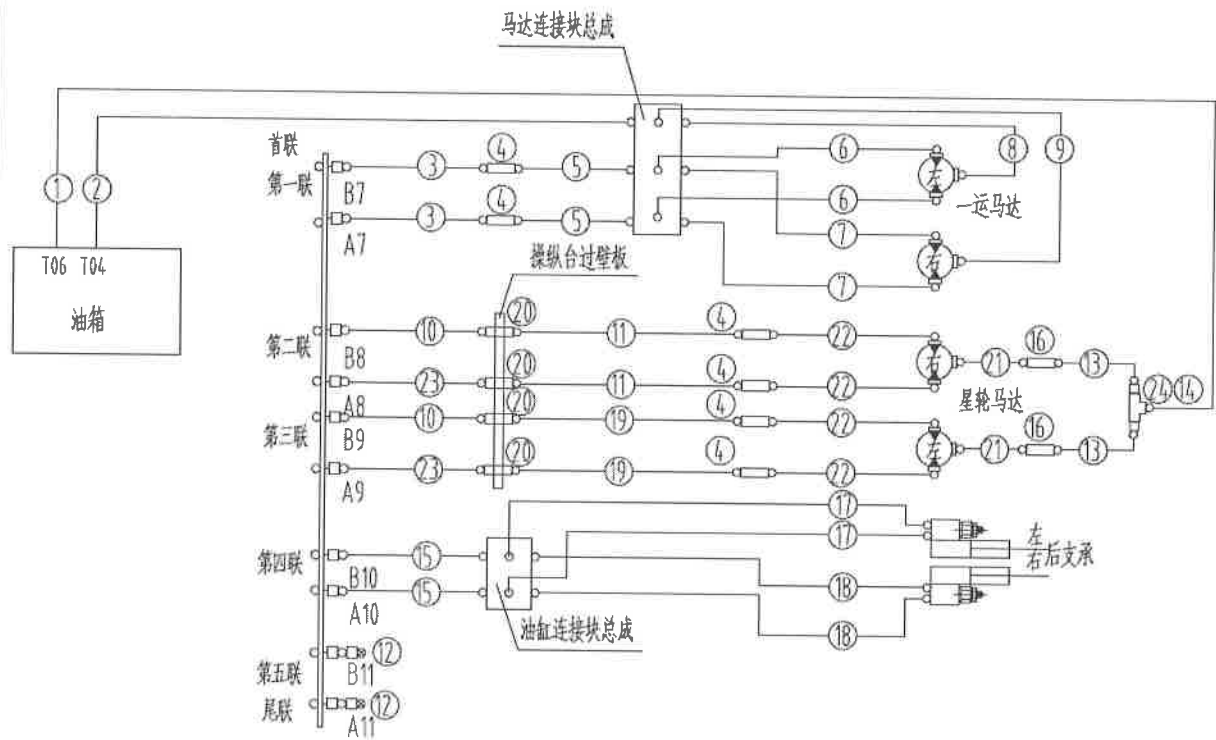
PUMP STATION PIPE DISTRIBUTION 泵站布管



泵站布管

423300810 HYDRAULIC SYSTEM 液压系统

FIVE-LINK VALE PIPE DISTRIBUTION 五联阀布管



五联阀布管

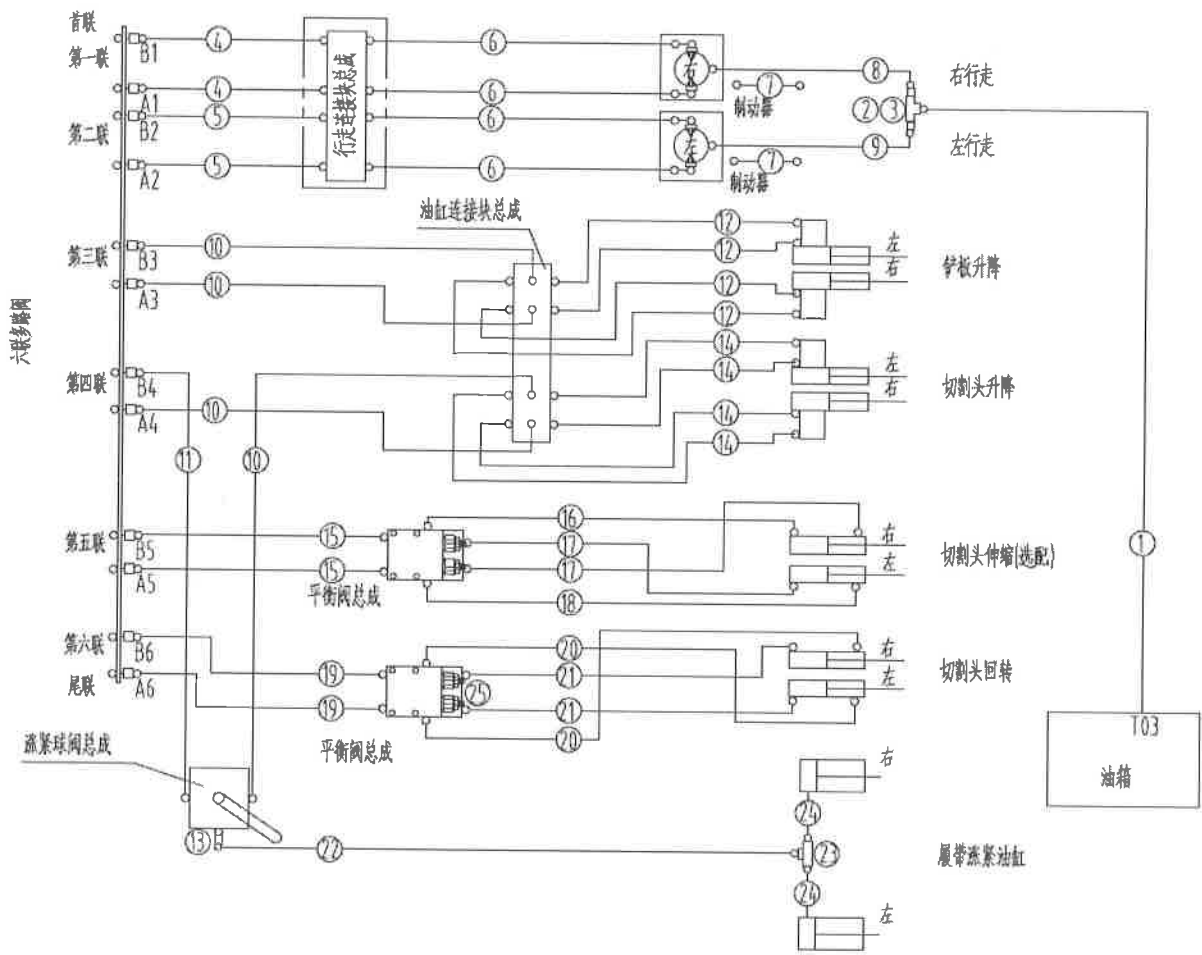
423300810 HYDRAULIC SYSTEM 液压系统

FIVE-LINK VALE PIPE DISTRIBUTION 五联阀布管

序号 No.	零部件代号 Part No.	名称 Part name	数量 Q'ty	备注 Remark
1	803405879	软管总成 RUBBER HOSE	1	F381CACA222212-2300-PG(MA)
2	803405922	软管总成 RUBBER HOSE	1	F381CACF222212-2300-PG(MA)
3	803405881	软管总成 RUBBER HOSE	2	F381CACA222212-2650-PG(MA)
4	803163579	接头 CONNECTOR	6	G22LCFX
5	803405876	软管总成 RUBBER HOSE	2	F381CACA222212-1650-PG(MA)
6	803405897	软管总成 RUBBER HOSE	2	F381CACE222212-2100-PG(MA)
7	803405940	软管总成 RUBBER HOSE	2	F381CACF222212-1300-PG(MA)
8	803405895	软管总成 RUBBER HOSE	1	F381CACE151508-2250-PG(MA)
9	803406056	软管总成 RUBBER HOSE	1	F381CACF151508-1300-PG(MA)
10	803405924	软管总成 RUBBER HOSE	2	F381CACF222212-700(MA)
11	803405898	软管总成 RUBBER HOSE	2	F381CACE222212-2500-PG(MA)
12	803132119	接头 CONNECTOR	2	VKAM15LCF
13	803405865	软管总成 RUBBER HOSE	2	F381CACA151508-1700-PG(MA)
14	803105354	接头 CONNECTOR	1	RED22/15LOMDCF
15	803405894	软管总成 RUBBER HOSE	2	F381CACE151508-2150-PG(MA)
16	803103804	接头 CONNECTOR	2	G15LCFX
17	803405868	软管总成 RUBBER HOSE	2	F381CACA151508-2100-PG(MA)
18	803405917	软管总成 RUBBER HOSE	2	F381CACF151508-3000-PG(MA)
19	803405883	软管总成 RUBBER HOSE	2	F381CACA222212-850-PG(MA)
20	803269341	接头 CONNECTOR	4	SV22LOMDCF
21	803405916	软管总成 RUBBER HOSE	2	F381CACF151508-1700-PG(MA)
22	803405875	软管总成 RUBBER HOSE	4	F381CACA222212-1500-PG(MA)
23	803405925	软管总成 RUBBER HOSE	2	F381CACF222212-750(MA)
24	803105185	接头 CONNECTOR	1	T22LCFX

423300810 HYDRAULIC SYSTEM 液压系统

SIX-LINK VALE PIPE DISTRIBUTION 六联阀布管



六联阀布管



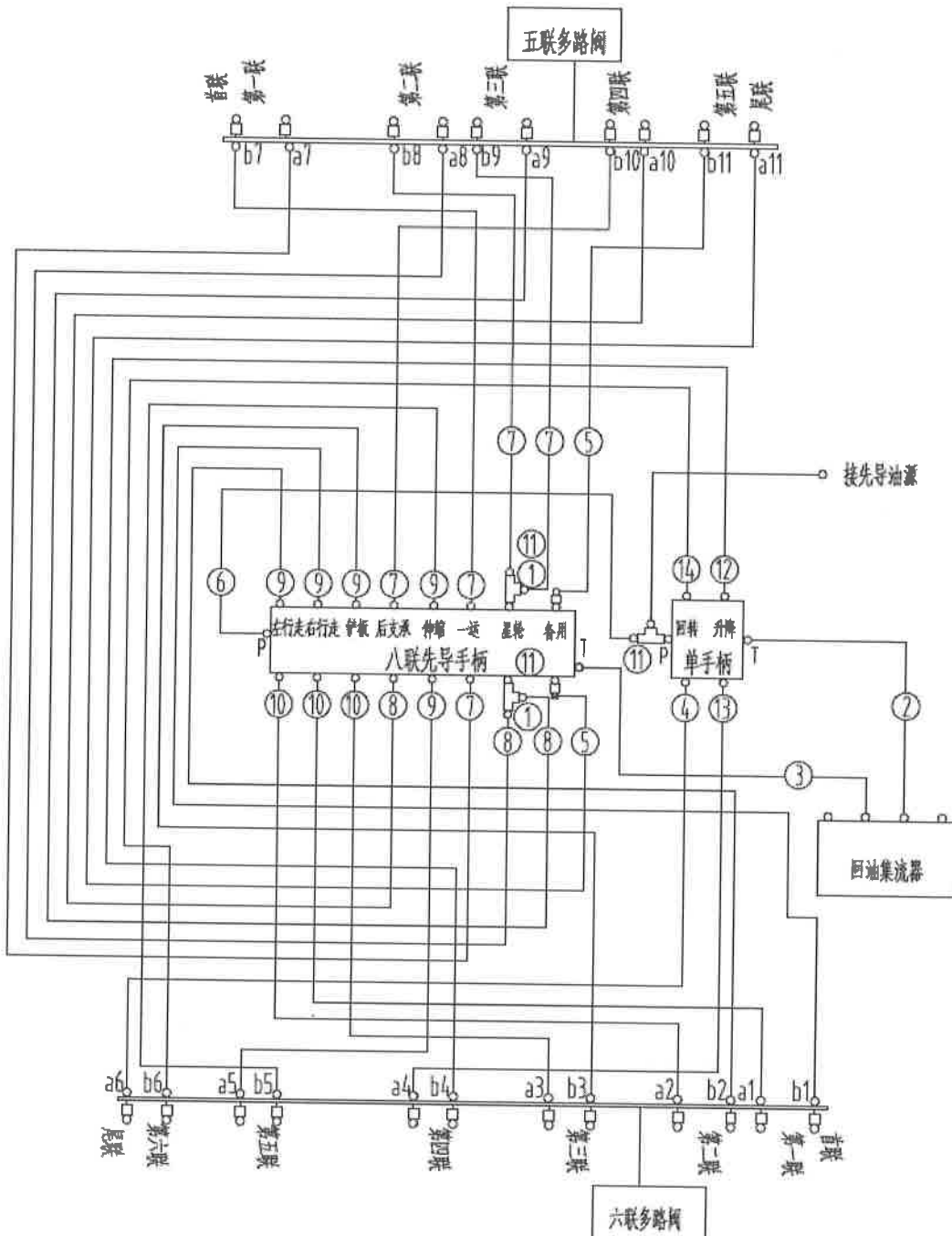
423300810 HYDRAULIC SYSTEM 液压系统

SIX-LINK VALE PIPE DISTRIBUTION 六联阀布管

序号 No.	零部件代号 Part No.	名称 Part name	数量 Q'ty	备注 Remark
1	803405877	软管总成 RUBBER HOSE	1	F381CACA222212-1700-PG(MA)
2	803105185	接头 CONNECTOR	1	T22LCFX
3	803105354	接头 CONNECTOR	1	RED22/15LOMDCF
4	803405936	软管总成 RUBBER HOSE	2	F781CACE222212-1530(MA)
5	803405937	软管总成 RUBBER HOSE	2	F781CACE222212-1550(MA)
6	803504935	软管总成 RUBBER HOSE	4	F781C9CE252212-1850-SG(MA)
7	803405906	软管总成 RUBBER HOSE	2	F381CACF080804-650-PG(MA)
8	803405873	软管总成 RUBBER HOSE	1	F381CACA151508-650-SG(MA)
9	803405874	软管总成 RUBBER HOSE	1	F381CACA151508-950-SG(MA)
10	803405870	软管总成 RUBBER HOSE	4	F381CACA151508-2450-PG(MA)
11	803405918	软管总成 RUBBER HOSE	1	F381CACF151508-600-PG(MA)
12	803405891	软管总成 RUBBER HOSE	4	F381CACE151508-1700-PG(MA)
13	803105355	接头 CONNECTOR	1	RED15/10LOMDCF
14	803405892	软管总成 RUBBER HOSE	4	F381CACE151508-1800-PG(MA)
15	803403169	软管总成 RUBBER HOSE	2	F381CACA151508-3400-AG
16	803375519	软管总成 RUBBER HOSE	1	F381CACA151508-2100-AG
17	803377214	软管总成 RUBBER HOSE	2	F381CACA151508-2400-AG
18	803403170	软管总成 RUBBER HOSE	1	F381CACA151508-1950-AG
19	803405893	软管总成 RUBBER HOSE	2	F381CACE151508-1900-PG(MA)
20	803405872	软管总成 RUBBER HOSE	2	F381CACA151508-650-PG(MA)
21	803405862	软管总成 RUBBER HOSE	2	F381CACA151508-1200-PG(MA)
22	803405911	软管总成 RUBBER HOSE	1	F381CACF101005-1600-PG(MA)
23	803103959	接头 CONNECTOR	1	T10LCFX
24	803405912	软管总成 RUBBER HOSE	2	F381CACF101005-2000-PG(MA)
25	803103775	接头 CONNECTOR	1	EW15LOMDCF

423300810 HYDRAULIC SYSTEM 液压系统

PILOT PIPE DISTRIBUTION 先导布管



先导布管



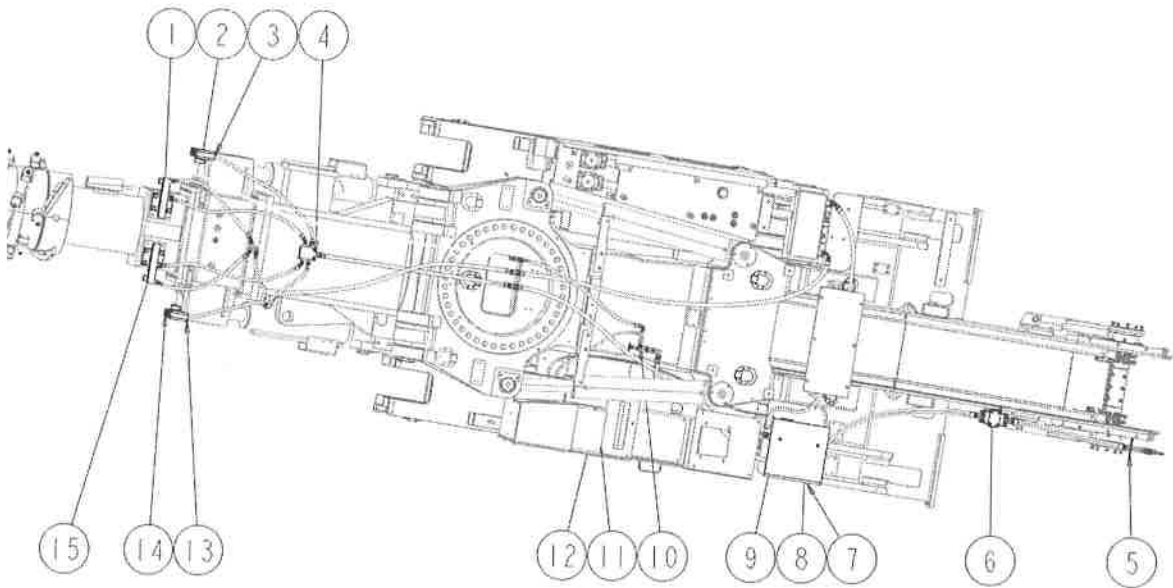
423300810 HYDRAULIC SYSTEM 液压系统

PILOT PIPE DISTRIBUTION 先导布管

序号 No.	零部件代号 Part No.	名称 Part name	数量 Q'ty	备注 Remark
1	803171722	接头 CONNECTOR	2	EW08LOMDCF
2	803405855	软管总成 RUBBER HOSE	1	F381CACA080804-1100(MA)
3	803405938	软管总成 RUBBER HOSE	1	F381CACF080804-1450(MA)
4	803405905	软管总成 RUBBER HOSE	1	F381CACF080804-1850(MA)
5	803405939	软管总成 RUBBER HOSE	2	F381CACF080804-1500(MA)
6	803405901	软管总成 RUBBER HOSE	1	F381CACF080804-1000(MA)
7	803405859	软管总成 RUBBER HOSE	5	F381CACA080804-300(MA)
8	803405860	软管总成 RUBBER HOSE	3	F381CACA080804-400(MA)
9	803405938	软管总成 RUBBER HOSE	5	F381CACF080804-1450(MA)
10	803405939	软管总成 RUBBER HOSE	3	F381CACF080804-1500(MA)
11	803104594	接头 CONNECTOR	3	EL08LOMDCF
12	803405902	软管总成 RUBBER HOSE	1	F381CACF080804-1700(MA)
13	803405903	软管总成 RUBBER HOSE	1	F381CACF080804-1750(MA)
14	803405904	软管总成 RUBBER HOSE	1	F381CACF080804-1800(MA)

423300533 BOOM-TYPE ROADHEADER 悬臂式掘进机

423300781 DUSTING SPRAY SYSTEM 除尘喷雾系统





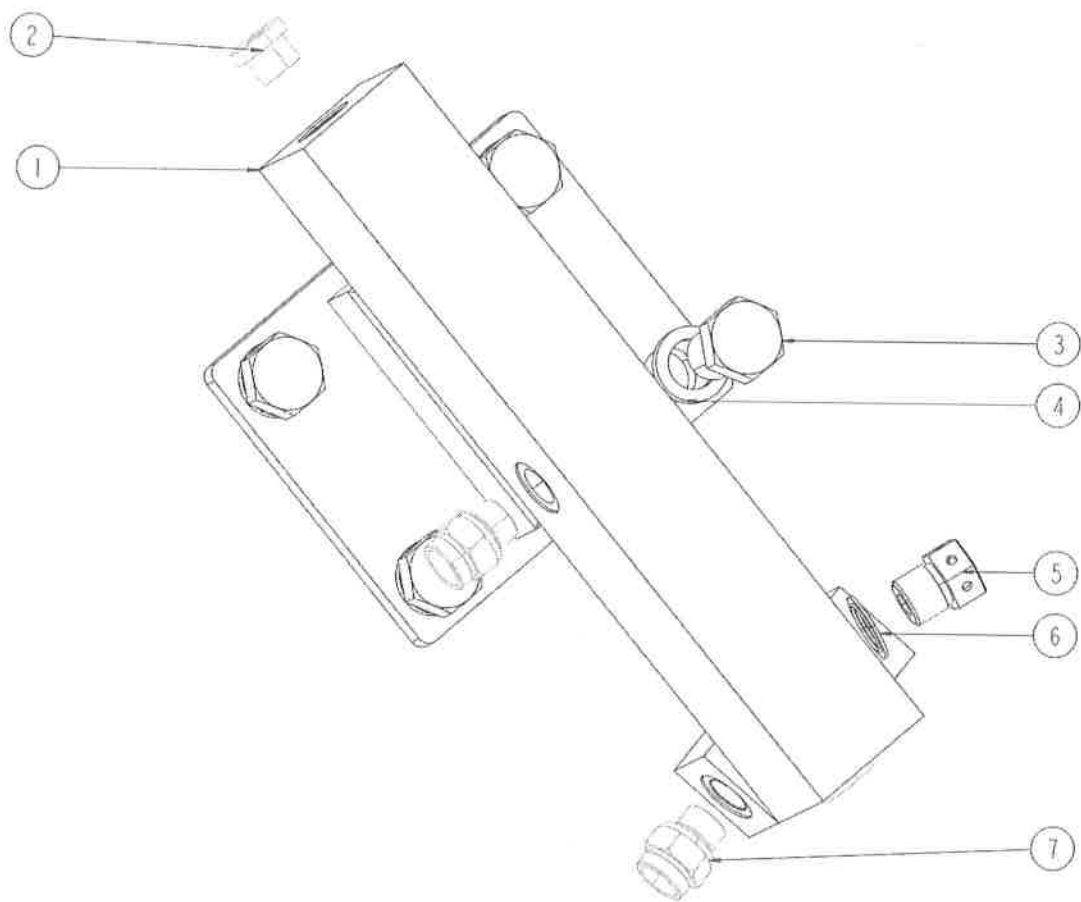
423300533 BOOM-TYPE ROADHEADER 悬臂式掘进机

423300781 DUSTING SPRAY SYSTEM 除尘喷雾系统

序号 No.	零部件代号 Part No.	名称 Part name	数量 Q'ty	备注 Remark
1	423300770	右横向喷水座 RIGHT SPRAY STRUCTURE	1	
2	423300774	右纵向喷水座 RIGHT SPRAY STRUCTURE	1	
3	423300440	右护罩 RIGHT SHIELD	1	
4	423300775	连接块 BLOCK	1	
5	423300773	球阀总成 BALL VALVE ASSEMBLY	1	
6	423300776	高压过滤器总成 HIGH PRESSURE FILTER ASSEMBLY	1	
7	423301683	防护罩总成 PROTECTION COVER	1	
8	423300779	进水组 BLOCK ASSEMBLY	1	
9	423300778	减压阀总成 PRESSURE REDUCINGVALVE	1	
10	423300777	减压阀总成 PRESSURE REDUCINGVALVE	1	
11	805105097	螺钉 M3×10 SCREW M3×10	6	GB/T70.1-2008
12	801138935	压力表 PRESSURE GAUGE	2	
13	423300452	左护罩 LEFT SHIELD	1	
14	423300780	左纵向喷水座 LEFT SPRAY STRUCTURE	1	
15	423300771	左横向喷水座 LEFT SPRAY STRUCTURE	1	

423300781 DUSTING SPRAY SYSTEM 除尘喷雾系统

423300770 RIGHT SPRAY STRUCTURE 右横向喷水座





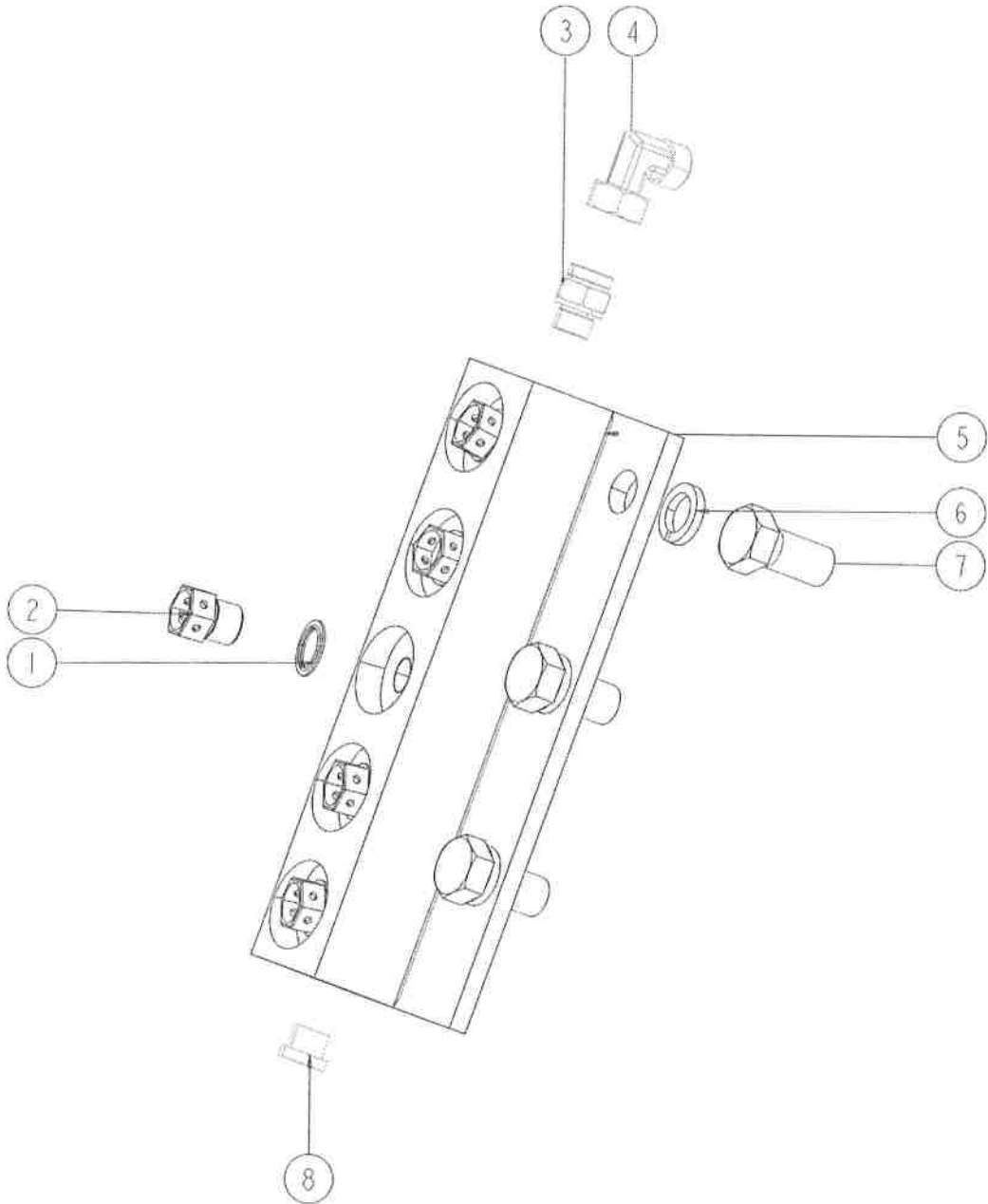
423300781 DUSTING SPRAY SYSTEM 除尘喷雾系统

423300770 RIGHT SPRAY STRUCTURE 右横向喷水座

序号 No.	零部件代号 Part No.	名称 Part name		数量 Q'ty	备注 Remark
1	423300438	喷水架	SPRAY STRUCTURE	1	
2	803110183	堵头	PLUG	2	
3	805005576	螺栓 M20×35	BOLT M20×35	4	GB/T5783-2000
4	805300023	垫圈 20	WASHER 20	4	GB/T93-1987
5	800787609	雾状喷嘴 M20× 1.5	SPRAY NOZZLE	5	
6	805300054	垫圈 20	WASHER 20	5	JB/T982-1977
7	803109626	接头	CONNECTOR	2	

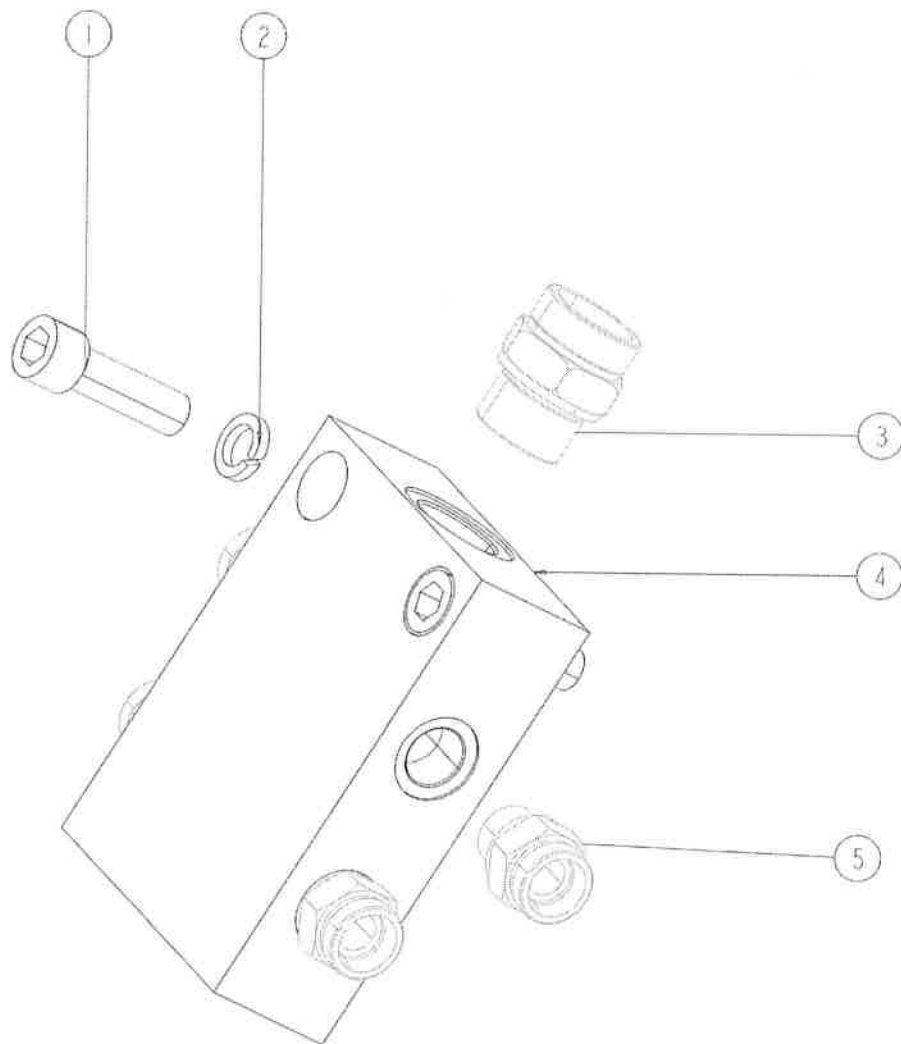
423300781 DUSTING SPRAY SYSTEM 除尘喷雾系统

423300774 RIGHT SPRAY STRUCTURE 右纵向喷水座



423300781 DUSTING SPRAY SYSTEM 除尘喷雾系统

423300775 BLOCK 连接块





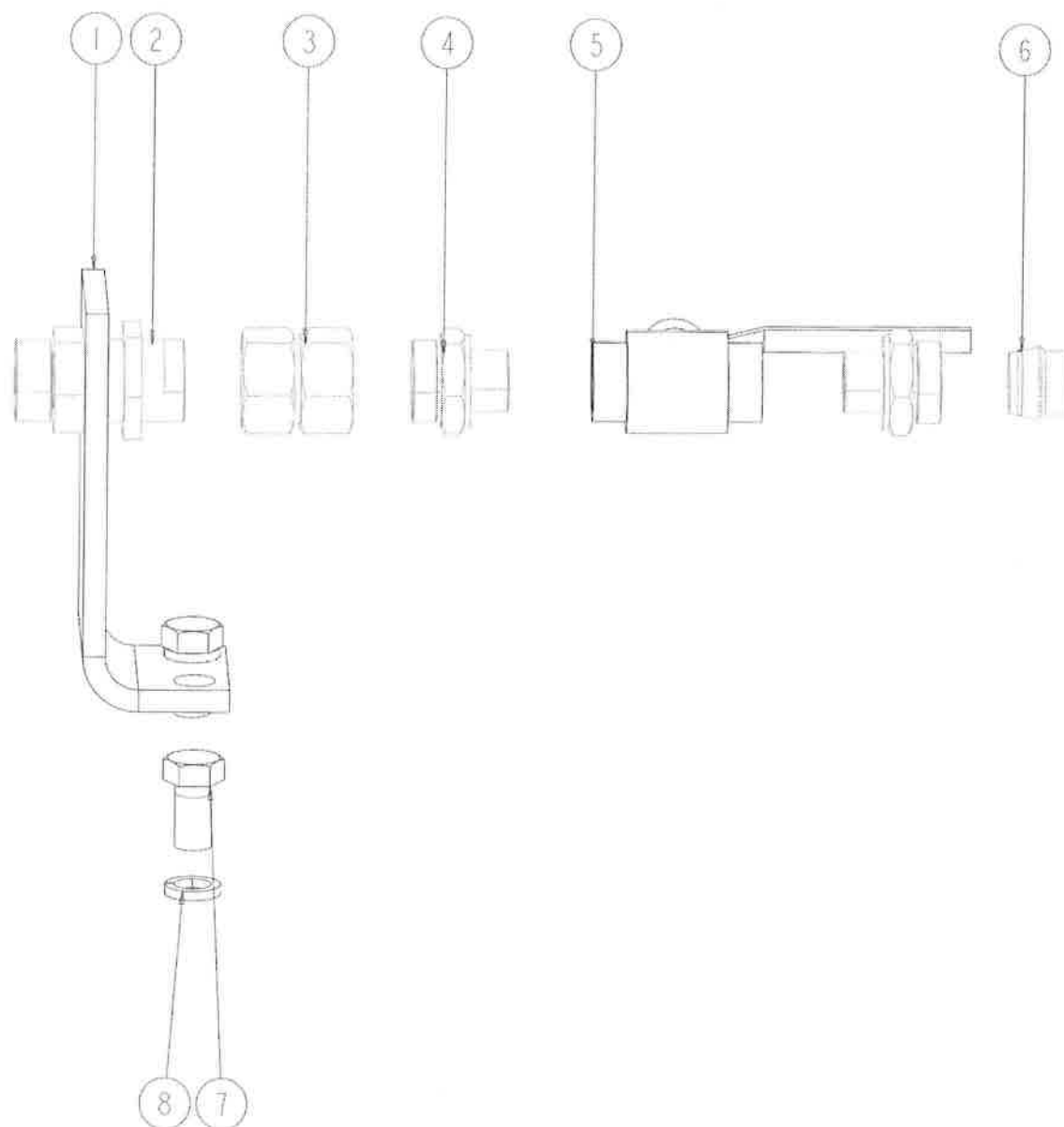
423300781 DUSTING SPRAY SYSTEM 除尘喷雾系统

423300775 BLOCK 连接块

序号 No.	零部件代号 Part No.	名称 Part name	数量 Q'ty	备注 Remark
1	805100047	螺钉 M12×40	2	GB/T70.1-2008
2	805300018	垫圈 12	2	GB/T93-1987
3	803109641	接头	1	
4	423300441	阀块	1	
5	803109626	接头	4	

423300781 DUSTING SPRAY SYSTEM 除尘喷雾系统

423300773 BALL VALVE ASSEMBLY 球阀总成





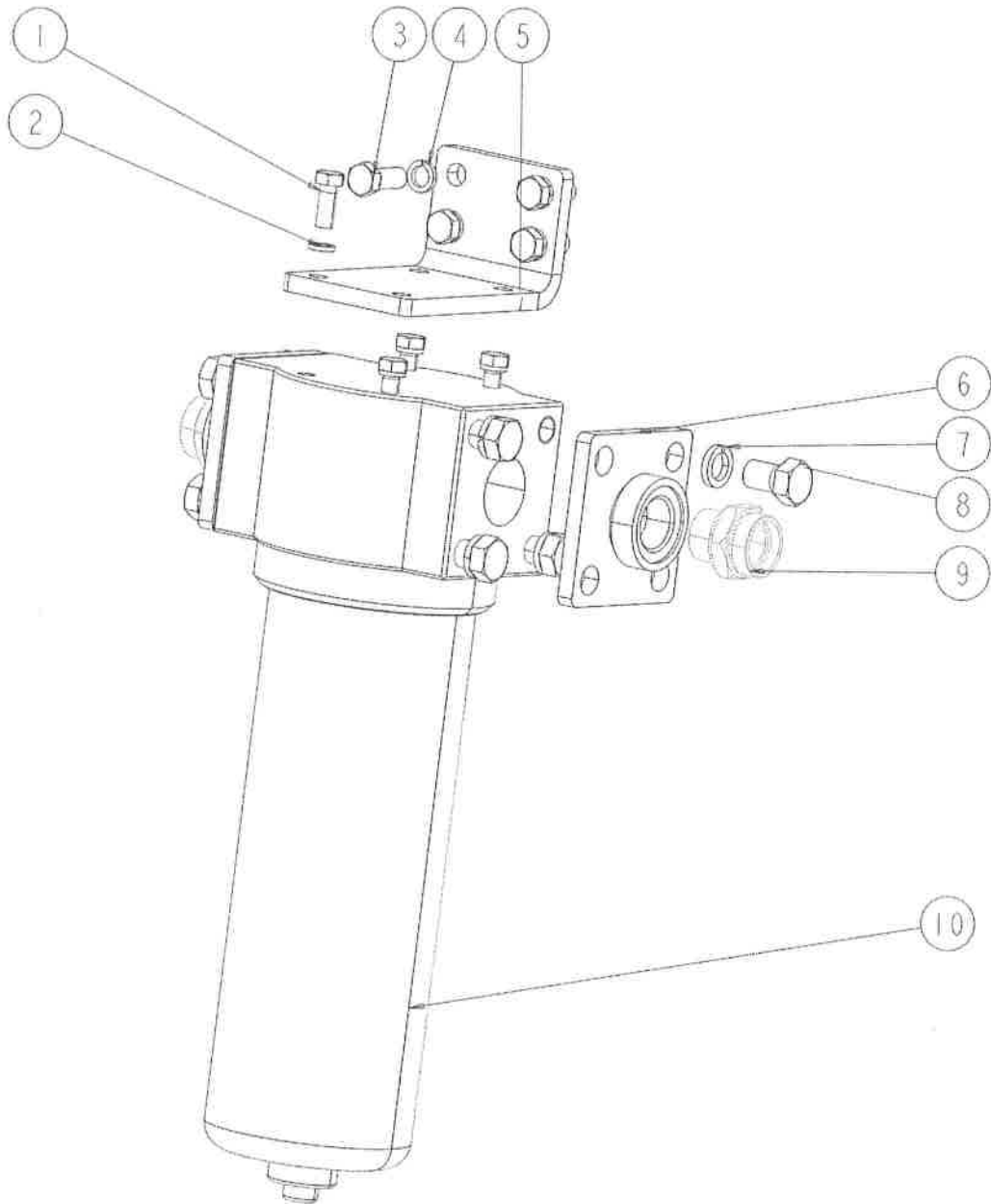
423300781 DUSTING SPRAY SYSTEM 除尘喷雾系统

423300773 BALL VALVE ASSEMBLY 球阀总成

序号 No.	零部件代号 Part No.	名称 Part name	数量 Q'ty	备注 Remark
1	423300457	安装板 MOUNTING PLATE	1	
2	803163759	接头 CONNECTOR	1	
3	803113370	接头 CONNECTOR	1	
4	803164763	接头 CONNECTOR	2	
5	803076943	球阀 HIGH PRESSURE BALL VALVE	1	
6	803112419	堵头 PLUG	1	
7	805000038	螺栓 M16×30 BOLT M16×30	2	GB/T5783-2000
8	805300011	垫圈 16 WASHER 16	2	GB/T93-1987

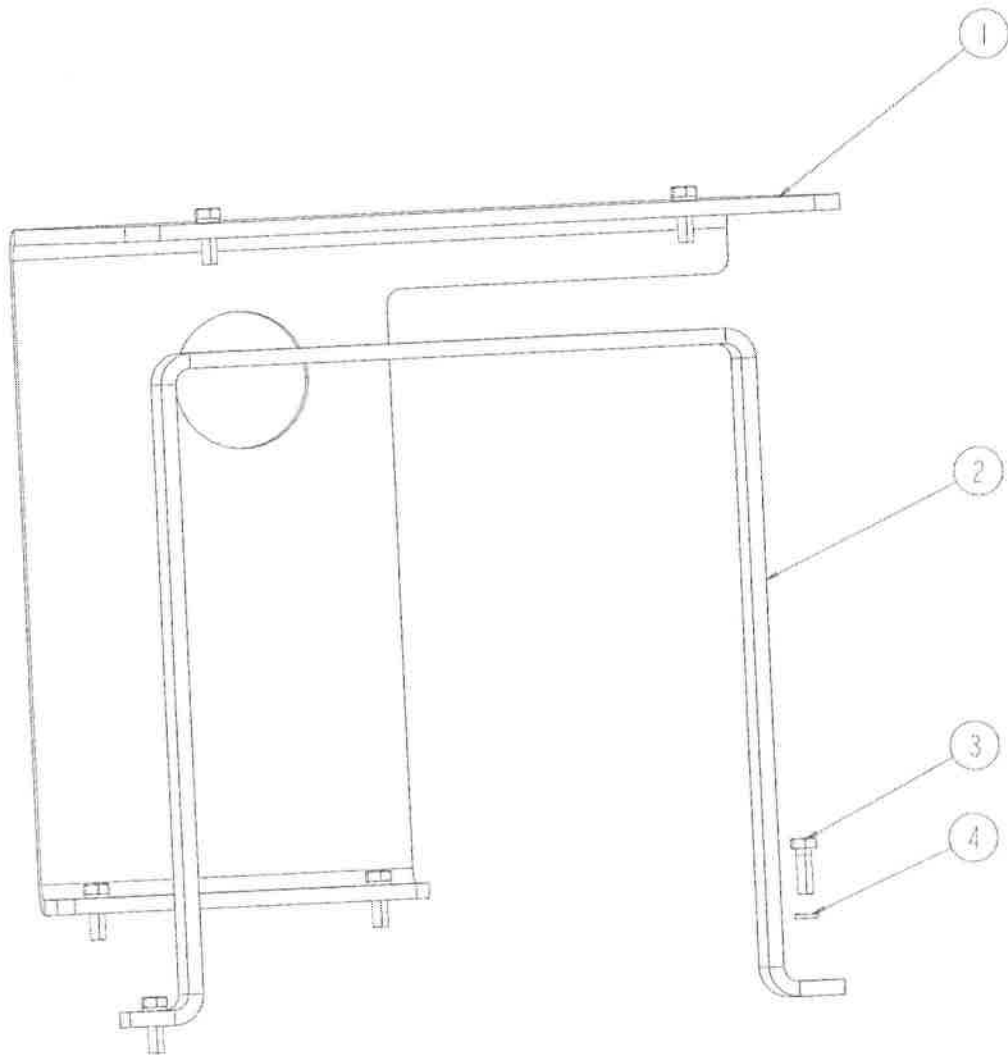
423300781 DUSTING SPRAY SYSTEM 除尘喷雾系统

423300776 HIGH PRESSURE FILTER ASSEMBLY 高压过滤器总成



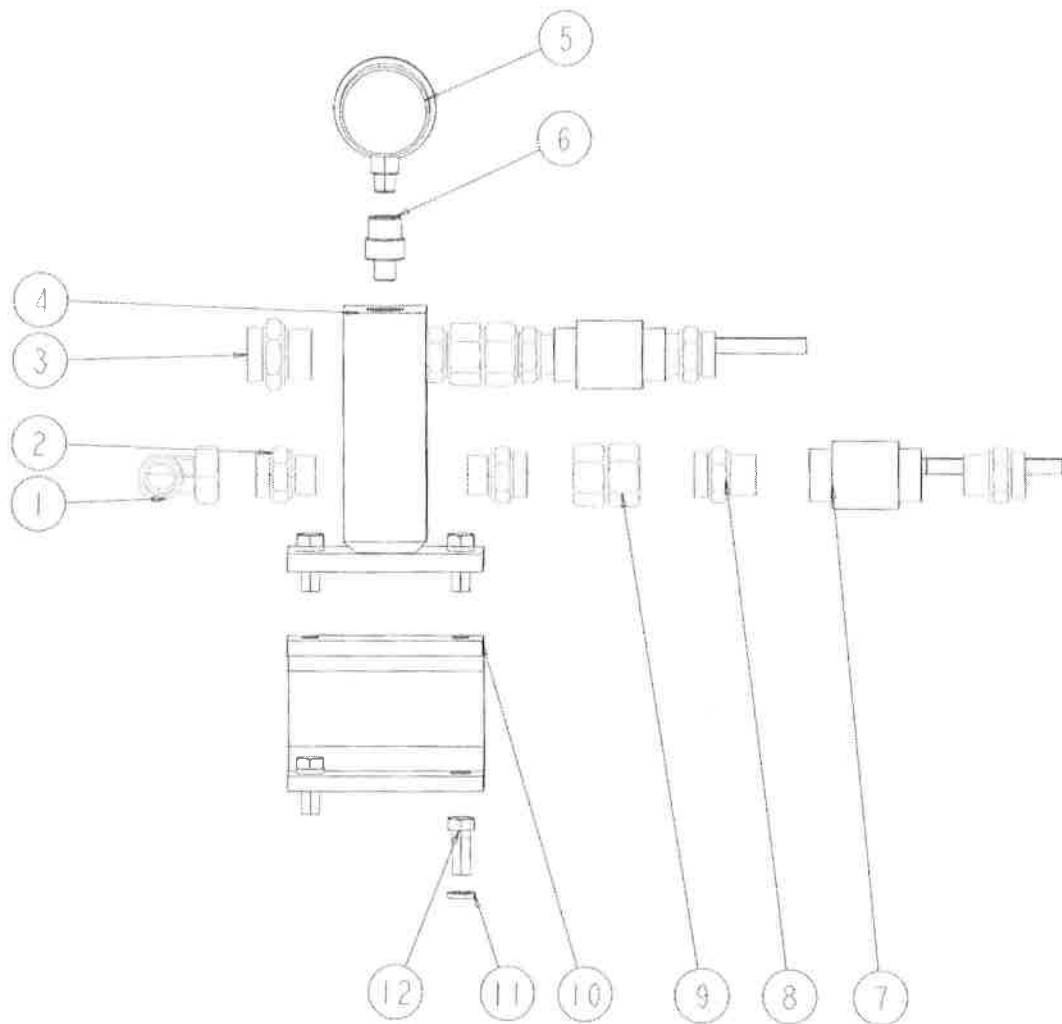
423300781 DUSTING SPRAY SYSTEM 除尘喷雾系统

423301683 PROTECTION COVER 防护罩总成



423300781 DUSTING SPRAY SYSTEM 除尘喷雾系统

423300779 BLOCK ASSEMBLY 进水组





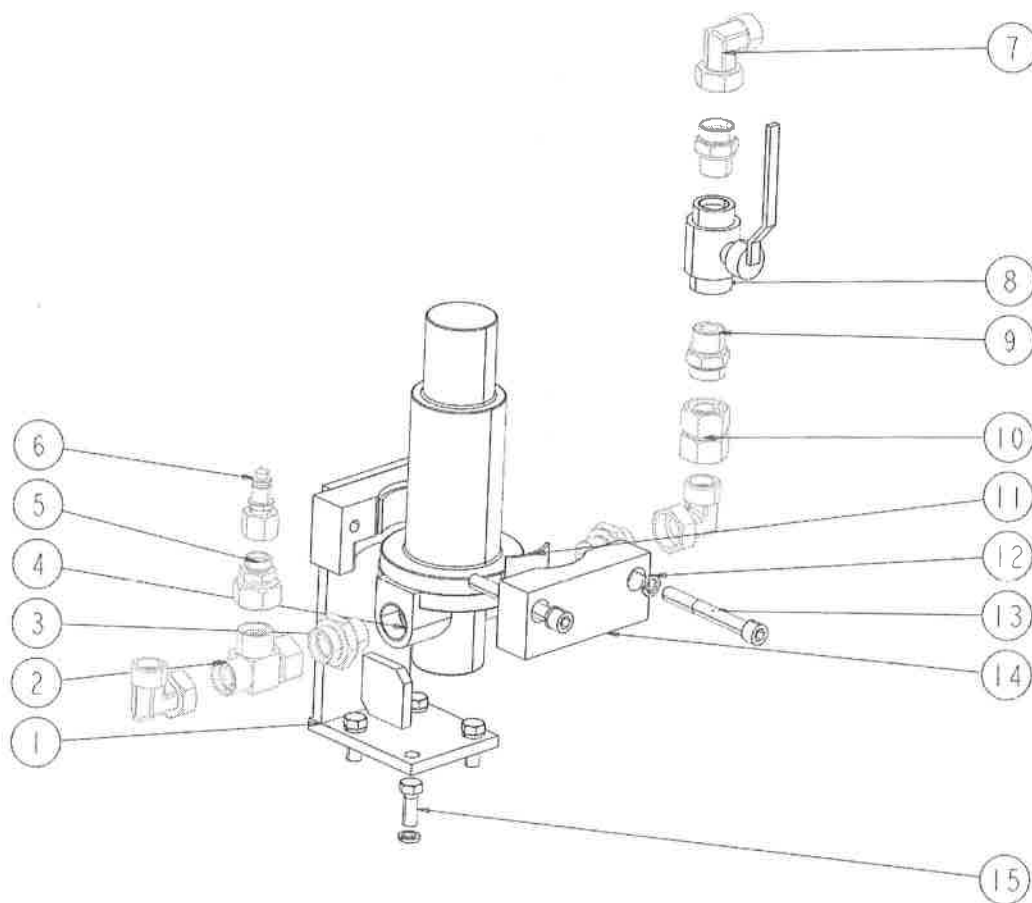
423300781 DUSTING SPRAY SYSTEM 除尘喷雾系统

423300779 BLOCK ASSEMBLY 进水组

序号 No.	零部件代号 Part No.	名称 Part name	数量 Q'ty	备注 Remark
1	803109688	接头 CONNECTOR	1	
2	803109641	接头 CONNECTOR	3	
3	803109666	接头 CONNECTOR	1	
4	423300448	进水阀块总成 BLOCK	1	
5	801138981	压力表 PRESSURE GAUGE	1	
6	801138980	压力表接头 PRESSURE GAUGE CONNECTOR	1	
7	803076943	球阀 HIGH PRESSURE BALL VALVE	2	
8	803164749	接头 CONNECTOR	4	
9	803111579	接头 CONNECTOR	2	
10	423300460	安装板 MOUNTING PLATE	1	
11	805300018	垫圈 12 WASHER 12	4	GB/T93-1987
12	805000716	螺栓 M12×30 BOLT M12×30	4	GB/T5783-2000

423300781 DUSTING SPRAY SYSTEM 除尘喷雾系统

423300778 PRESSURE REDUCING VALVE 减压阀总成





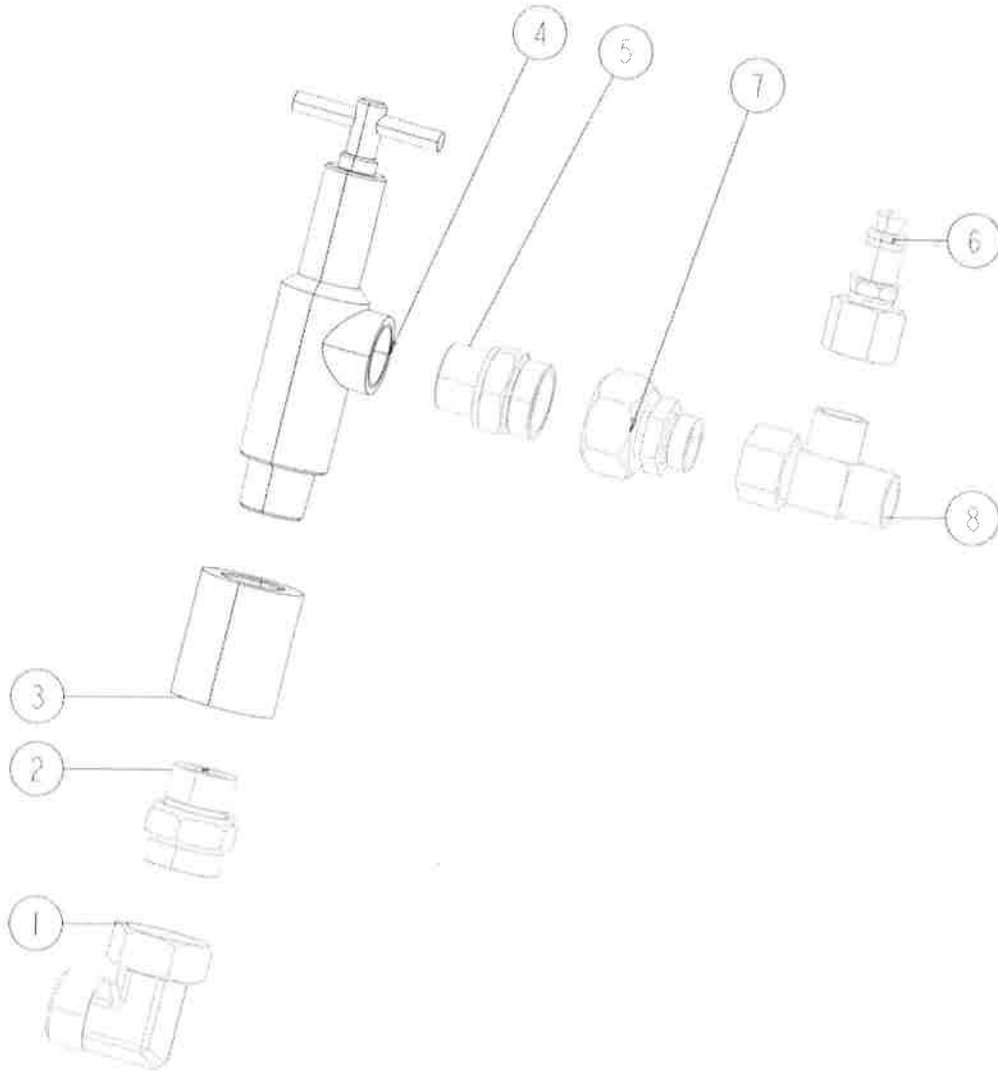
423300781 DUSTING SPRAY SYSTEM 除尘喷雾系统

423300778 PRESSURE REDUCING VALVE 减压阀总成

序号 No.	零部件代号 Part No.	名称 Part name	数量 Q'ty	备注 Remark
1	423300446	固定座	FIXED SEAT	1
2	803109678	接头	CONNECTOR	1
3	803111106	接头	CONNECTOR	2
4	803076685	减压阀	PRESSURE REDUCING VALVE	1
5	803169077	接头	CONNECTOR	1
6	803164565	接头	CONNECTOR	1
7	803109688	接头	CONNECTOR	3
8	803076943	球阀	HIGH PRESSURE BALL VALVE	1
9	803164749	接头	CONNECTOR	2
10	803111579	接头	CONNECTOR	1
11	423300456	橡胶垫 t3×60× 30	BALATA MAT T3×60×30	2
12	805300018	垫圈 12	WASHER 12	6 GB/T93-1987
13	805100292	螺钉 M12×100	SCREW M12×100	2 GB/T70.1-2008
14	423300447	夹板(二)	PLYWOOD	1
15	805000716	螺栓 M12×30	BOLT M12×30	4 GB/T5783-2000

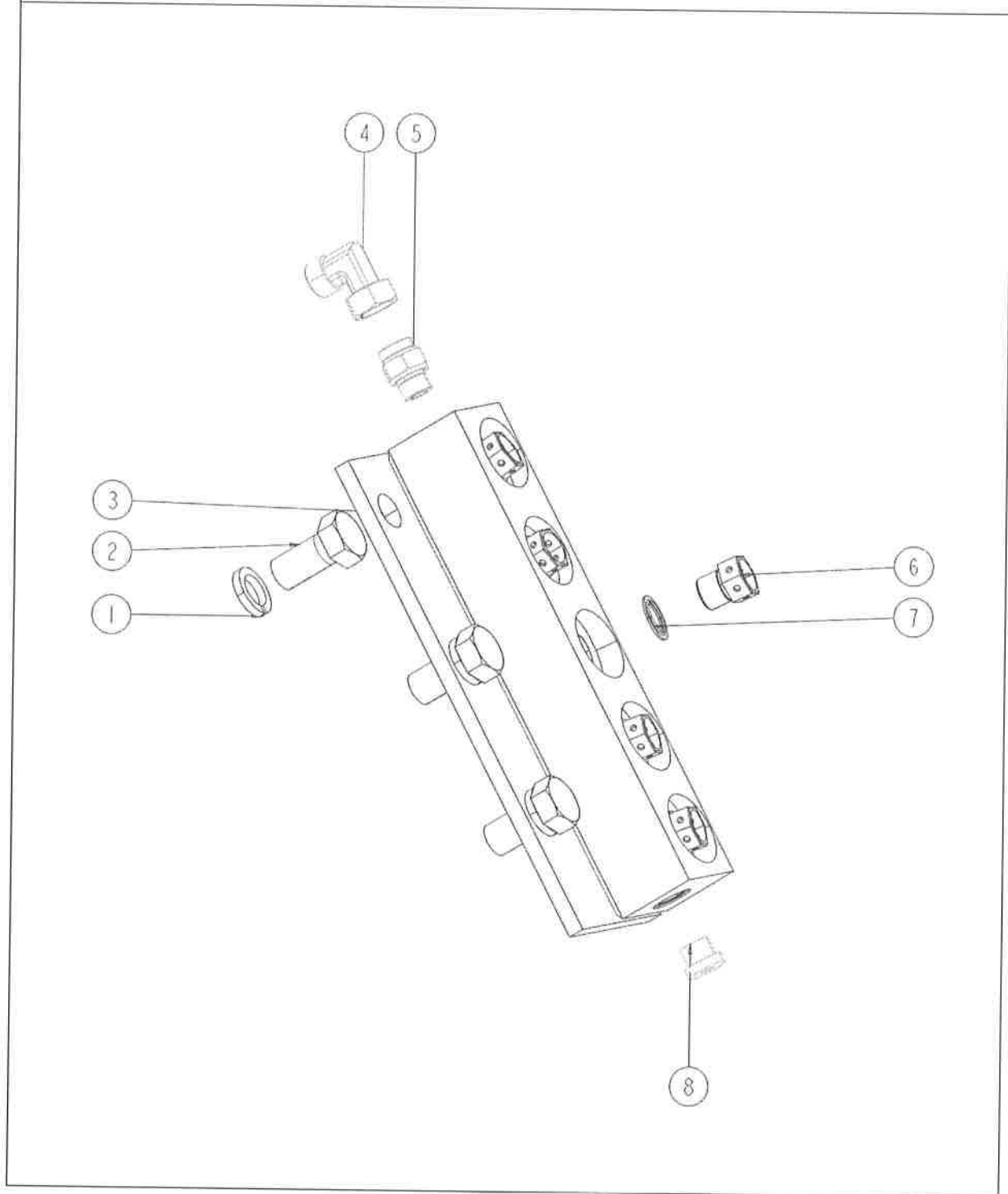
423300781 DUSTING SPRAY SYSTEM 除尘喷雾系统

423300777 PRESSURE REDUCING VALVE 减压阀总成



423300781 DUSTING SPRAY SYSTEM 除尘喷雾系统

423300780 LEFT SPRAY STRUCTURE 左纵向喷水座





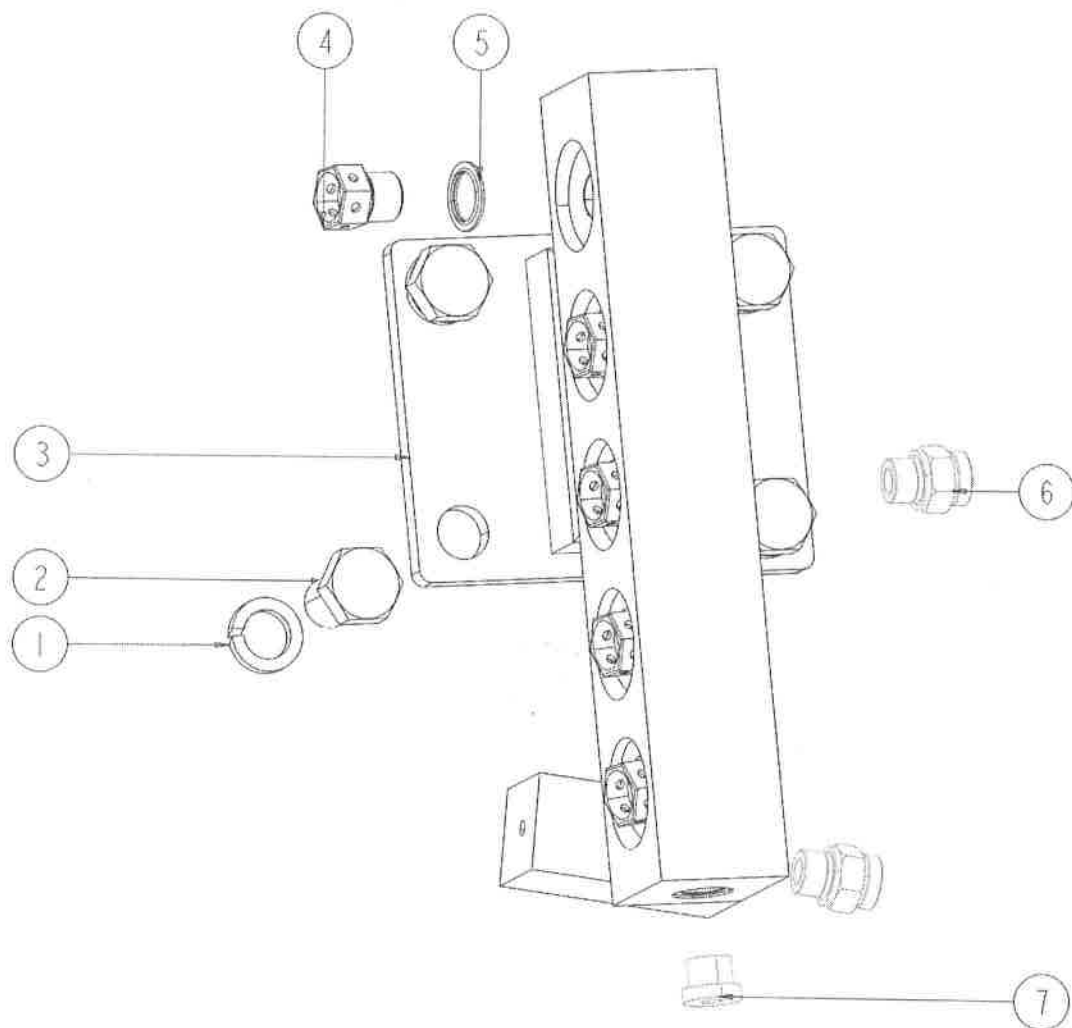
423300781 DUSTING SPRAY SYSTEM 除尘喷雾系统

423300780 LEFT SPRAY STRUCTURE 左纵向喷水座

序号 No.	零部件代号 Part No.	名称 Part name	数量 Q'ty	备注 Remark
1	805300023	垫圈 20 WASHER 20	3	GB/T93-1987
2	805000281	螺栓 M20×40 BOLT M20×40	3	GB/T5783-2000
3	423300451	喷水架 SPRAY STRUCTURE	1	
4	803109651	接头 CONNECTOR	1	
5	803109626	接头 CONNECTOR	1	
6	800787609	雾状喷嘴 M20×1.5 SPRAY NOZZLE	5	
7	805300054	垫圈 20 WASHER 20	5	JB/T982-1977
8	803110183	堵头 PLUG	1	

423300781 DUSTING SPRAY SYSTEM 除尘喷雾系统

423300771 LEFT SPRAY STRUCTURE 左横向喷水座





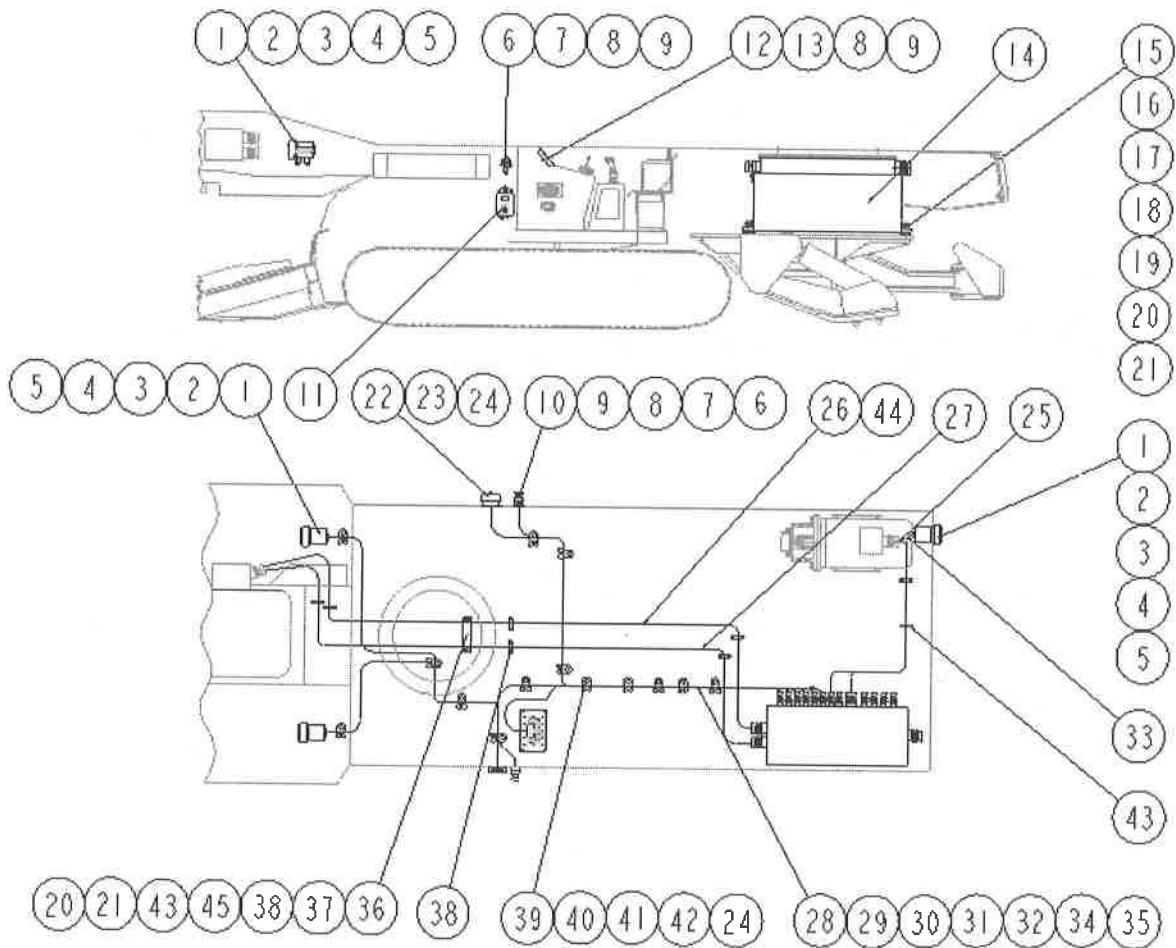
423300781 DUSTING SPRAY SYSTEM 除尘喷雾系统

423300771 LEFT SPRAY STRUCTURE 左横向喷水座

1	805300023	垫圈 20	WASHER 20	4	
2	805005576	螺栓 M20×35	BOLT M20×35	4	GB/T5783-2000
3	423300453	喷水架	SPRAY STRUCTURE	1	
4	800787609	雾状喷嘴 M20× 1.5	SPRAY NOZZLE	5	
5	805300054	垫圈 20	WASHER 20	5	JB/T982-1977
6	803109626	接头	CONNECTOR	2	
7	803183080	堵头	PLUG	2	

423300533 BOOM-TYPE ROADHEADER 悬臂式掘进机

423300793 ELECTRIC SYSTEM 电气系统





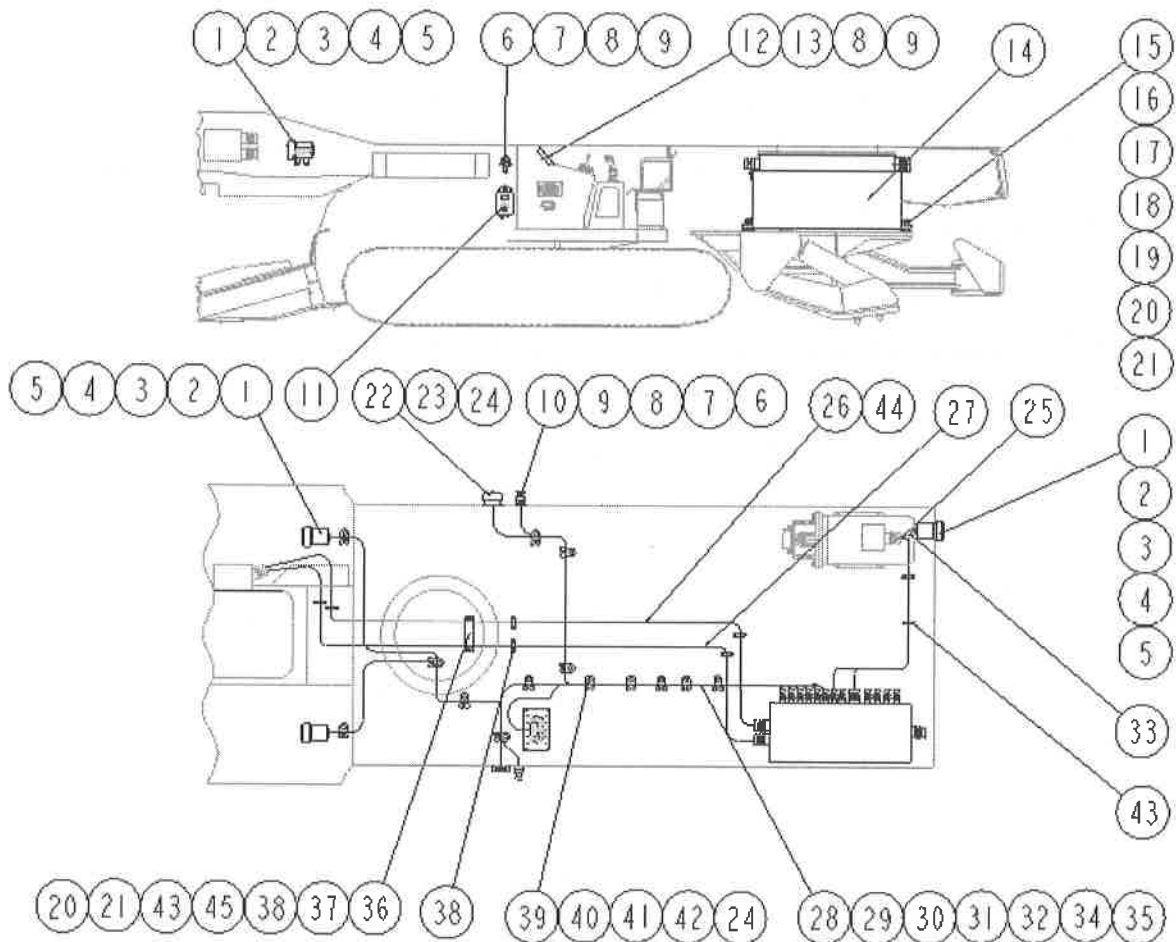
423300533 BOOM-TYPE ROADHEADER 悬臂式掘进机

423300793 ELECTRIC SYSTEM 电气系统

序号 No.	零部件代号 Part No.	名称 Part name	数量 Q'ty	备注 Remark
1	803546078	矿用隔爆型机车 照明灯 LAMP	3	外购
2	805000062	螺栓 M10×35 BOLT M10×35	6	
3	805300014	垫圈 10 WASHER 10	6	
4	805300017	垫圈 10 WASHER 10	6	
5	805200048	螺母 M10 NUT M10	6	
6	803681058	防爆急停按钮 EMERGENCY STOP BUTTON	2	外购
7	805100196	螺钉 M6×25 SCREW	6	
8	805300030	垫圈 6 WASHER 6	11	
9	805300029	垫圈 6 WASHER 6	6	
10	805200053	螺母 M6 NUT M6	3	
11	803588445	矿用甲烷传感器 (三大博安) GAS SENSOR	1	外购
12	423103319	本安操作箱 OPERATE BOX	1	外购
13	805000031	螺栓 M6×25 BOLT M6×25	5	
14	803691532	电控箱 ELECTRICAL BOX	1	外购
15	801970844	减震器 SHOCK ABSORBER	4	外购
16	805046596	螺栓 M24 × 60 (达克罗) BOLT M24×60 10.9	4	
17	805300034	垫圈 24 WASHER 24	4	
18	805300021	垫圈 24 WASHER 24	4	
19	805006415	螺栓 M14×40(达 克罗) BOLT M14×40 10.9	16	
20	805300033	垫圈 14 WASHER 14	20	
21	805300144	垫圈 14 WASHER 14	20	
22	803545709	矿用隔爆型电铃 BELL	1	外购

423300533 BOOM-TYPE ROADHEADER 悬臂式掘进机

423300793 ELECTRIC SYSTEM 电气系统





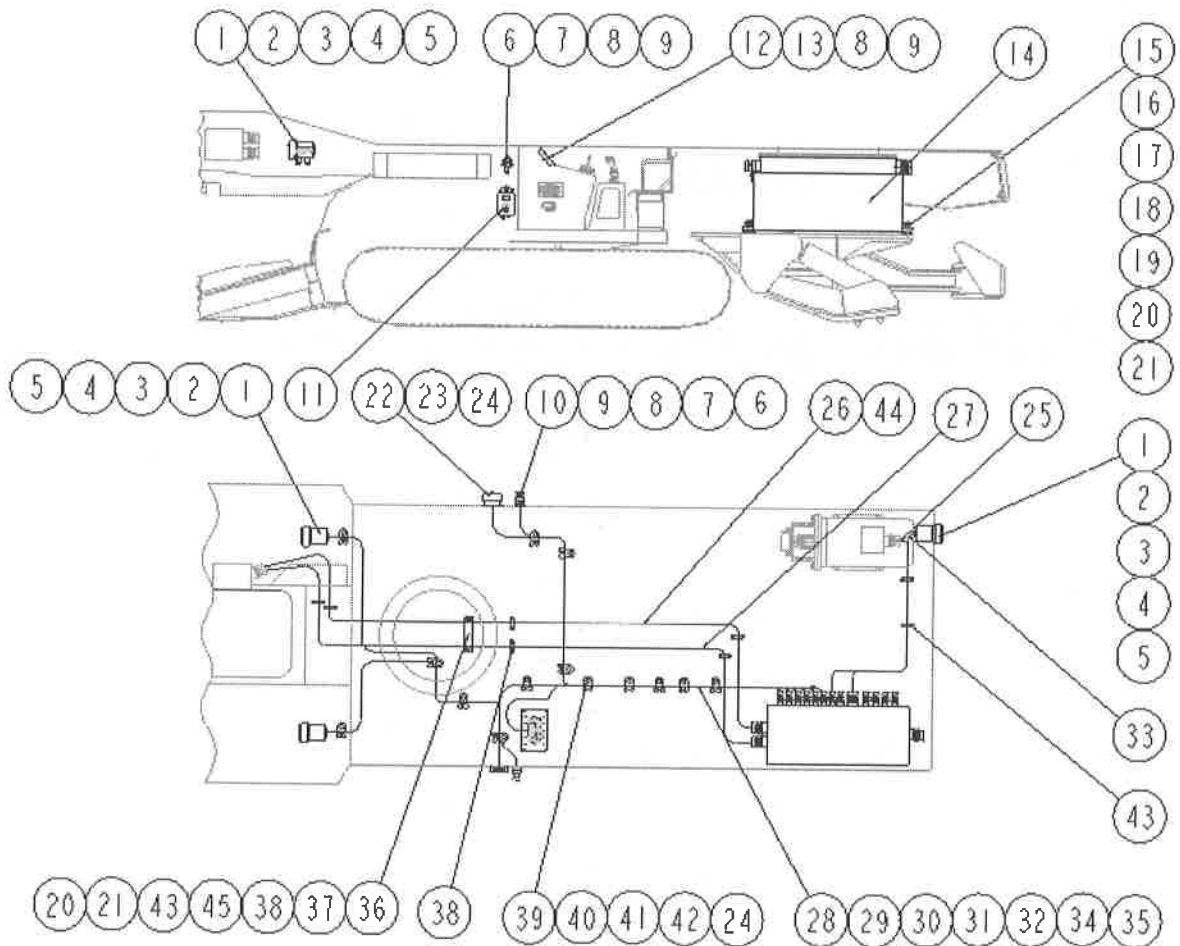
423300533 BOOM-TYPE ROADHEADER 悬臂式掘进机

423300793 ELECTRIC SYSTEM 电气系统

序号 No.	零部件代号 Part No.	名称 Part name	数量 Q'ty	备注 Remark
23	805000018	螺栓 M8×20	BOLT M8×20	3
24	805300010	垫圈 8	WASHER 8	18
25	423300784	油泵电机线束 W1	OIL PUMP MOTOR CABLE W1	1
26	423300785	切割低速线束 W2	CUTTING MOTOR LOW SPEED CABLE	1
27	423300786	切割高速线束 W3	CUTTING MOTOR HIGH SPEED CABLE	1
28	423300787	总急停线束 W4	EMERGENCY STOP CABLE	1
29	423300788	切割急停线束 W5	CUTTING EMERGENCY STOP CABLE	1
30	423300789	电铃线束 W6	BELL CABLE	1
31	423300790	右前灯线束 W7	RIGHT LAMP CABLE	1
32	423300791	左前灯线束 W8	LEFT LAMP CABLE	1
33	423300792	后灯线束 W9	REAR LAMP CABLE	1
34	423300782	甲烷传感器线束 W10	GAS SENSOR CABLE	1
35	423300783	操作箱线束 W11	OPERATE BOX CABLE	1
36	423302163	后支架	BACK BRACKET	1
37	805000715	螺栓 M12×25	BOLT M12×25	4
38	803686783	西德福管夹体	PIPE CLAMP	5 外购
39	801969522	扎带固定座	CABLE TIE MOUNT	15 外购
40	801969576	电缆扎带	RIBBON	15 外购
41	805000033	螺栓 M8×16	BOLT M8×16	15
42	805300069	垫圈 8	WASHER 8	15
43	803686782	西德福管夹体	PIPE CLAMP	6 外购
44	801971257	PVC 护套	PVC HOSE COVER	12 外购

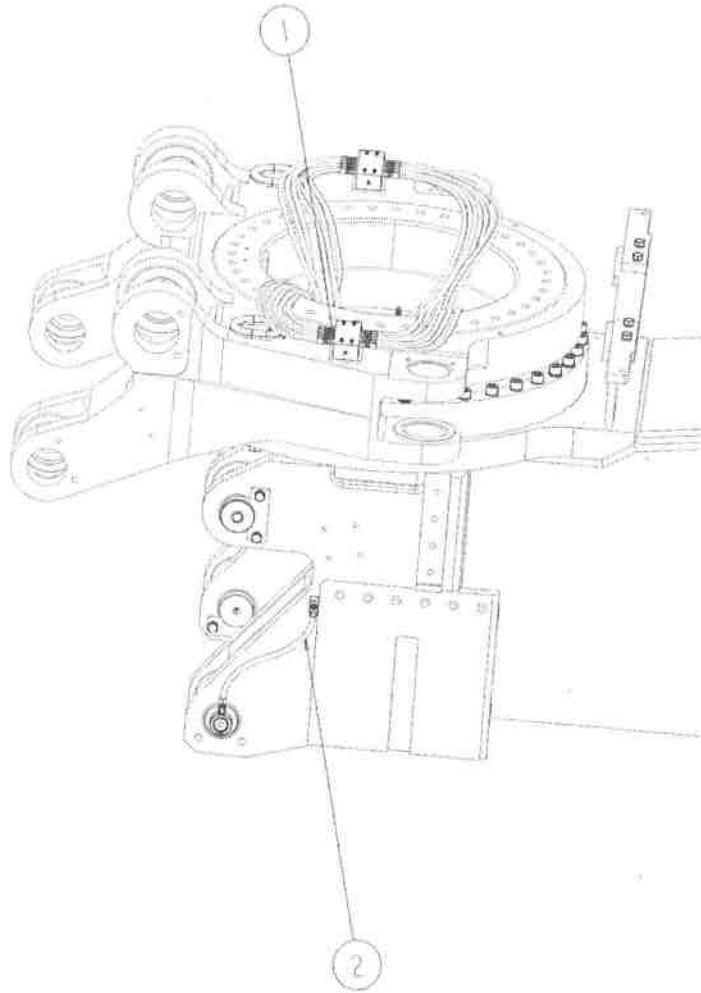
423300533 BOOM-TYPE ROADHEADER 悬臂式掘进机

423300793 ELECTRIC SYSTEM 电气系统



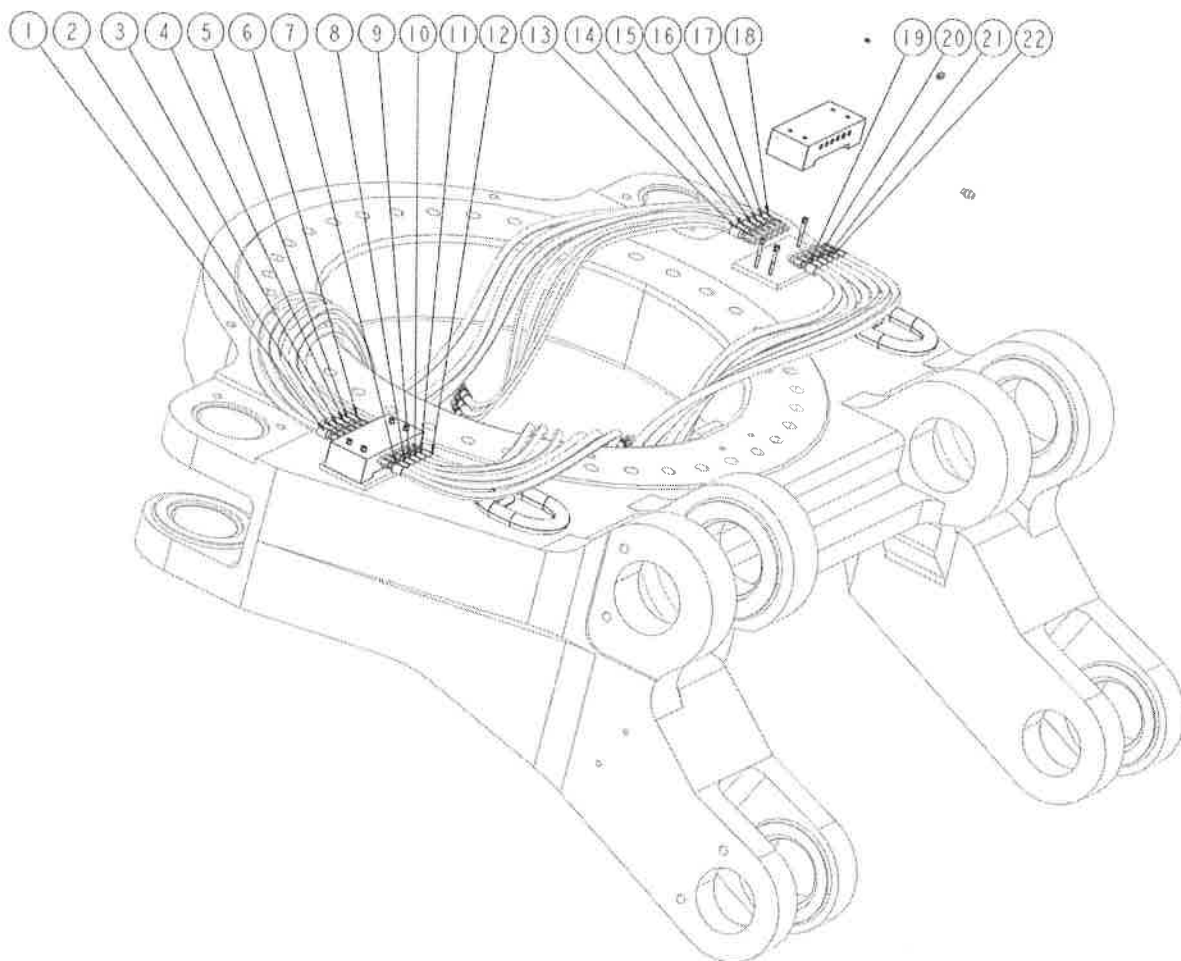
423300533 BOOM-TYPE ROADHEADER 悬臂式掘进机

423301655 LUBRICATION SYSTEM 润滑系统



423301655 LUBRICATION SYSTEM 润滑系统

423300816 LUBRICATION OF SLEWING BEARING 回转轴承润滑





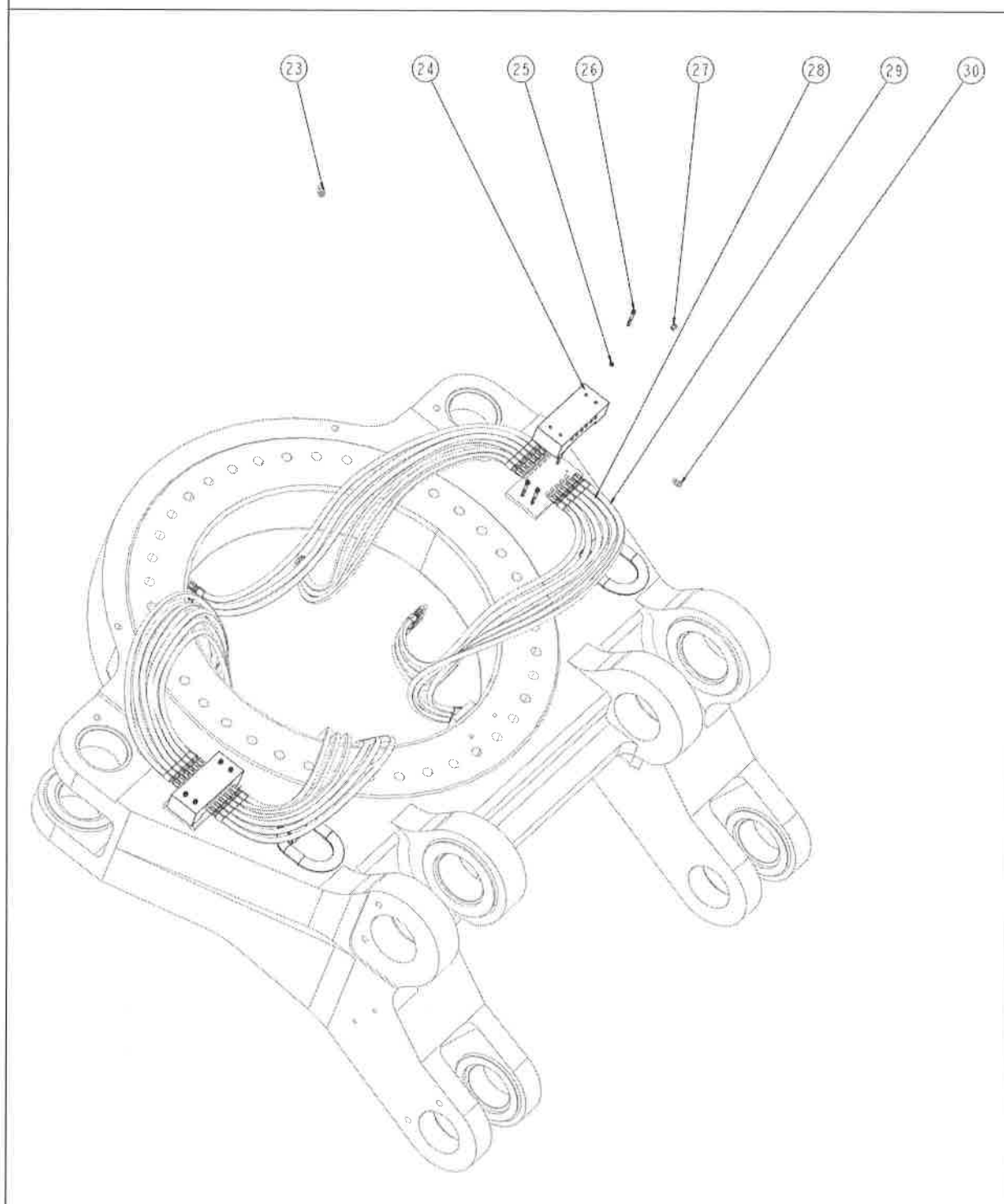
423301655 LUBRICATION SYSTEM 润滑系统

423300816 LUBRICATION OF SLEWING BEARING 回转轴承润滑

序号 No.	零部件代号 Part No.	名称 Part name	数量 Q'ty	备注 Remark
1	803405852	软管总成	HOSE ASS'Y	1
2	803405852	软管总成	HOSE ASS'Y	1
3	803405852	软管总成	HOSE ASS'Y	1
4	803405854	软管总成	HOSE ASS'Y	1
5	803405854	软管总成	HOSE ASS'Y	1
6	803405854	软管总成	HOSE ASS'Y	1
7	803405851	软管总成	HOSE ASS'Y	1
8	803405851	软管总成	HOSE ASS'Y	1
9	803405851	软管总成	HOSE ASS'Y	1
10	803405852	软管总成	HOSE ASS'Y	1
11	803405852	软管总成	HOSE ASS'Y	1
12	803405852	软管总成	HOSE ASS'Y	1
13	803405853	软管总成	HOSE ASS'Y	1
14	803405853	软管总成	HOSE ASS'Y	1
15	803405853	软管总成	HOSE ASS'Y	1
16	803405851	软管总成	HOSE ASS'Y	1
17	803405851	软管总成	HOSE ASS'Y	1
18	803405851	软管总成	HOSE ASS'Y	1
19	803405854	软管总成	HOSE ASS'Y	1
20	803405854	软管总成	HOSE ASS'Y	1
21	803405854	软管总成	HOSE ASS'Y	1
22	803405853	软管总成	HOSE ASS'Y	1

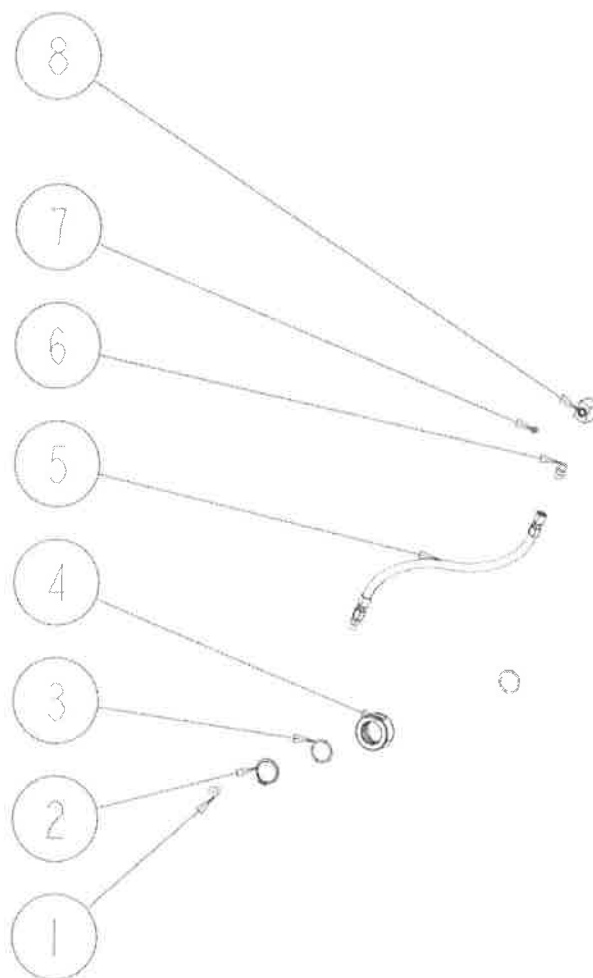
423301655 LUBRICATION SYSTEM 润滑系统

423300816 LUBRICATION OF SLEWING BEARING 回转轴承润滑



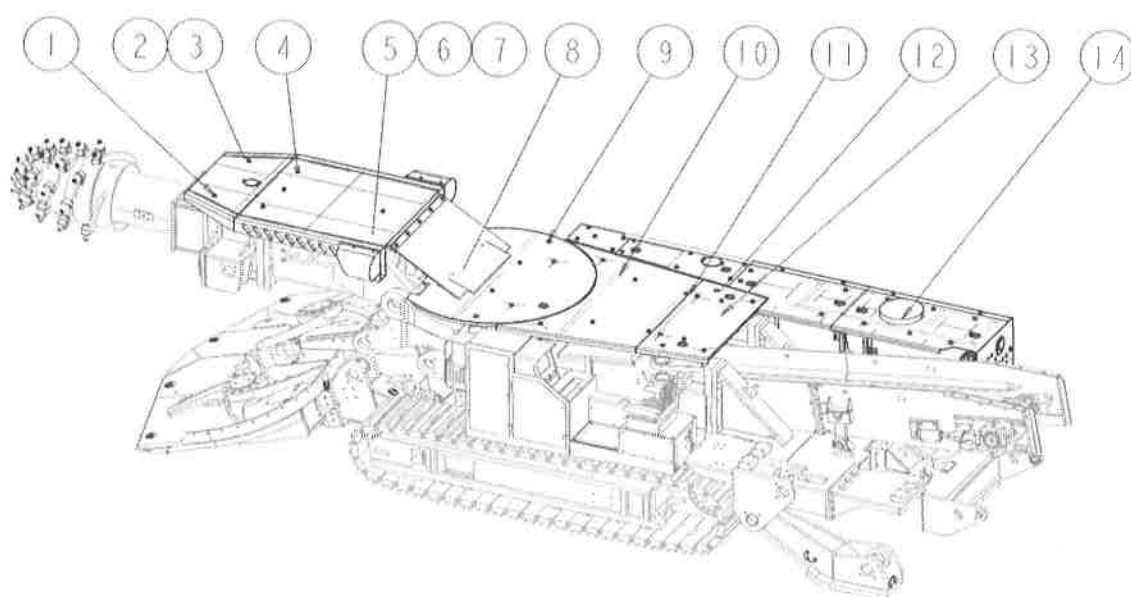
423301655 LUBRICATION SYSTEM 润滑系统

423300796 LUBRICATION OF SHOVEL PIN 铲板销轴润滑



423300533 BOOM-TYPE ROADHEADER 悬臂式掘进机

423300817 GUARD PLATE ASSEMBLY 护板总成





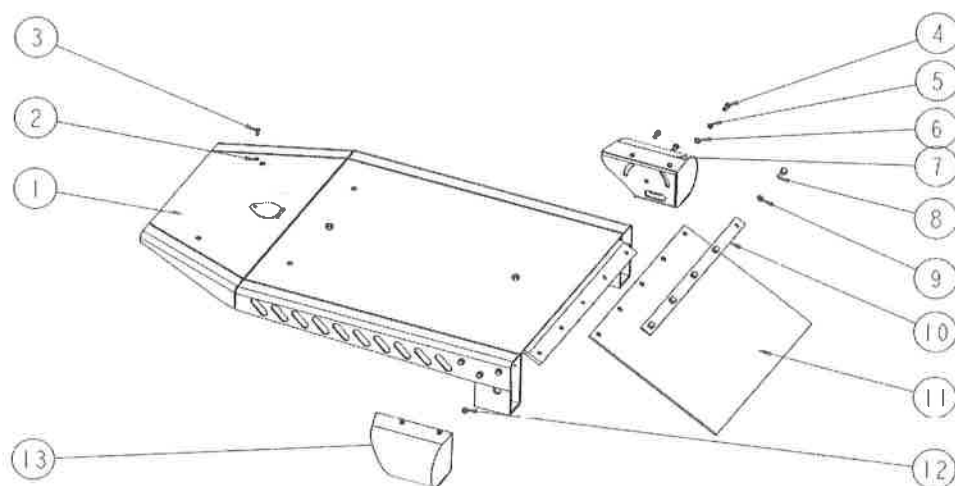
423300533 BOOM-TYPE ROADHEADER 悬臂式掘进机

423300817 GUARD PLATE ASSEMBLY 护板总成

序号 No.	零部件代号 Part No.	名称 Part name	数量 Q'ty	备注 Remark
1	423300820	切割臂护板 TELESCOPIC ARM BOARD	1	
2	805300112	垫圈 20 WASHER 20	20	GB/T97.1-2002
3	805000621	螺栓 M20×110 BOLT M20×110	2	GB/T5782-2000
4	805238432	螺栓 M20×90 BOLT M20×90	2	GB/T5782-2000
5	805300023	垫圈 20 WASHER 20	4	GB/T93-1987
6	805200052	螺母 M20 NUT M20	4	GB/T6170-2000
7	805000136	螺栓 M20×70 BOLT M20×70	4	GB/T5782-2000
8	805000481	螺栓 M20×180 BOLT M20×180	6	GB/T5782-2000
9	423300678	回转台护板 SLEWING TABLE BOARD	1	
10	423300677	本体前护板 BODY FRONT GUARD PLATE	1	
11	805000281	螺栓 M20×40 BOLT M20×40	2	GB/T5783-2000
12	805046981	螺栓 M20×200 BOLT M20×200	4	GB/T5782-2000
13	423300676	本体后护板 BODY BACK GUARD PLATE	1	
14	423300819	泵站护板 HYDRAULIC POWER BOARD	1	

423300817 GUARD PLATE ASSEMBLY 护板总成

423300820 TELESCOPIC ARM BOARD 切割臂护板

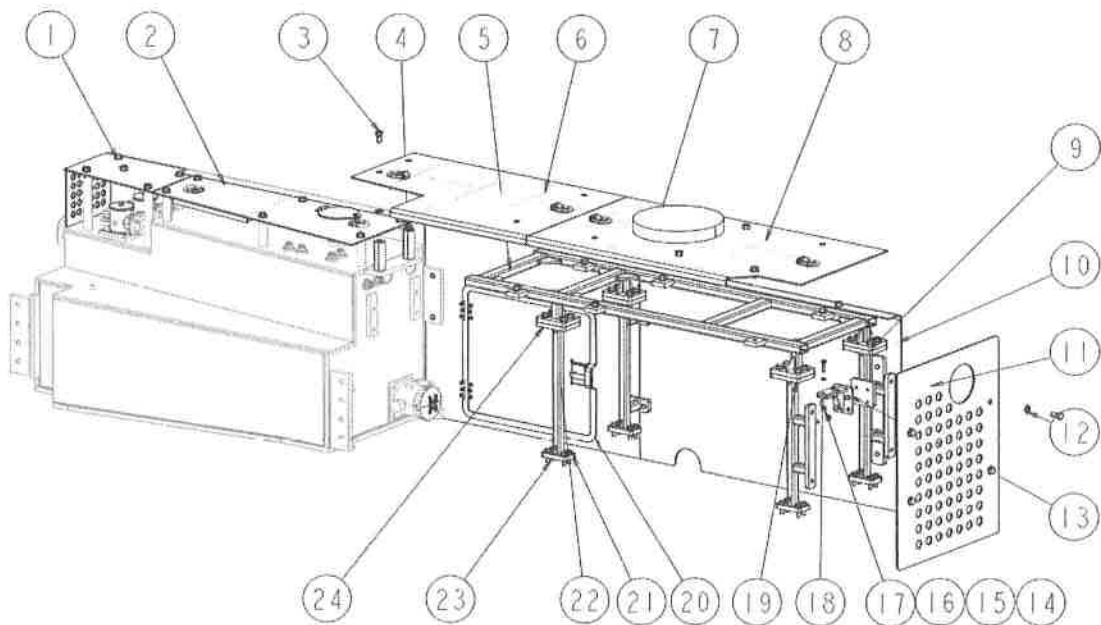



423300817 GUARD PLATE ASSEMBLY 护板总成
423300820 TELESCOPIC ARM BOARD 切割臂护板

序号 No.	零部件代号 Part No.	名称 Part name	数量 Q'ty	备注 Remark
1	423300464	盖板体 COVER	1	
2	805300018	垫圈 12 WASHER 12	1	GB/T93-1987
3	805000715	螺栓 M12×25 BOLT M12×25	1	GB/T5783-2000
4	805300011	垫圈 16 WASHER 16	6	GB/T93-1987
5	805300013	垫圈 16 WASHER 16	6	GB/T97.1-2002
6	805000013	螺栓 M16×35 BOLT M16×35	6	GB/T5783-2000
7	423300800	左灯罩 LEFT LAMP-CHIMNEY	1	
8	805000144	螺栓 M20×45 BOLT M20×45	5	GB/T5783-2000
9	805300023	垫圈 20 WASHER 20	5	GB/T93-1987
10	423300471	压板 CLAMP	1	
11	423300470	橡胶挡板 RUBBER BAFFLE	1	
12	805200051	螺母 M16 NUT M16	6	GB/T6170-2000
13	423300799	右灯罩 RIGHT LAMP-CHIMNEY	1	

423300817 GUARD PLATE ASSEMBLY 护板总成

423300819 HYDRAULIC POWER BOARD 泵站护板




423300817 GUARD PLATE ASSEMBLY 护板总成
423300819 HYDRAULIC POWER BOARD 泵站护板

序号 No.	零部件代号 Part No.	名称 Part name	数量 Q'ty	备注 Remark
1	423300675	油箱后护板 TANK BACK GUARD PLATE	1	
2	423300669	油箱盖板 FUEL TANK COVER	1	
3	805005576	螺栓 M20×35 BOLT M20×35	31	GB/T5783-2000
4	423300683	连接杆 LINK ROD	2	
5	423300674	支撑架 BRACKET	1	
6	423300666	中护板 MIDDLE GUARD PLATE	1	
7	423300665	立柱 III STAND COLUMN III	1	
8	423300661	电机上护板 TOP MOTOR GUARD PLATE	1	
9	423300662	立柱 I STAND COLUMN I	1	
10	423300663	电机侧护板 SIDE MOTOR GUARD	1	
11	423300671	后护板 AFTER THE GUARD	1	
12	805300112	垫圈 20 WASHER 20	47	GB/T97.1-2002
13	423300673	后灯支撑架 TAIL LAMP HOLDER	1	
14	805000716	螺栓 M12×30 BOLT M12×30	4	GB/T5783-2000
15	805300018	垫圈 12 WASHER 12	6	GB/T93-1987
16	805000014	螺栓 M12×45 BOLT M12×45	2	GB/T5783-2000
17	805200049	螺母 M12 NUT M12	2	GB/T6170-2000
18	423300672	橡胶垫板 CUSHION	1	
19	423300670	立柱 IV STAND COLUMN IV	1	
20	423301690	中侧护板 MIDDLE SIDE GUARD	1	
21	805300013	垫圈 16 WASHER 16	16	GB/T97.1-2002
22	423300664	立柱 II STAND COLUMN II	1	

423300817 GUARD PLATE ASSEMBLY 护板总成

423300819 HYDRAULIC POWER BOARD 泵站护板

